

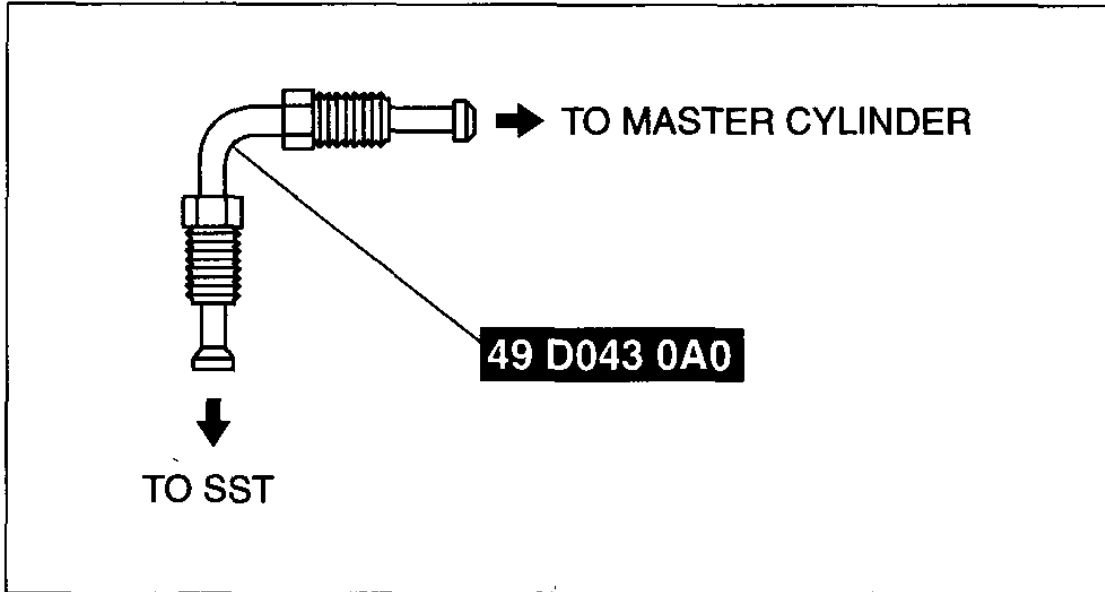
Component Procedures: Brake Proportioning/Combination Valve

Table of Contents

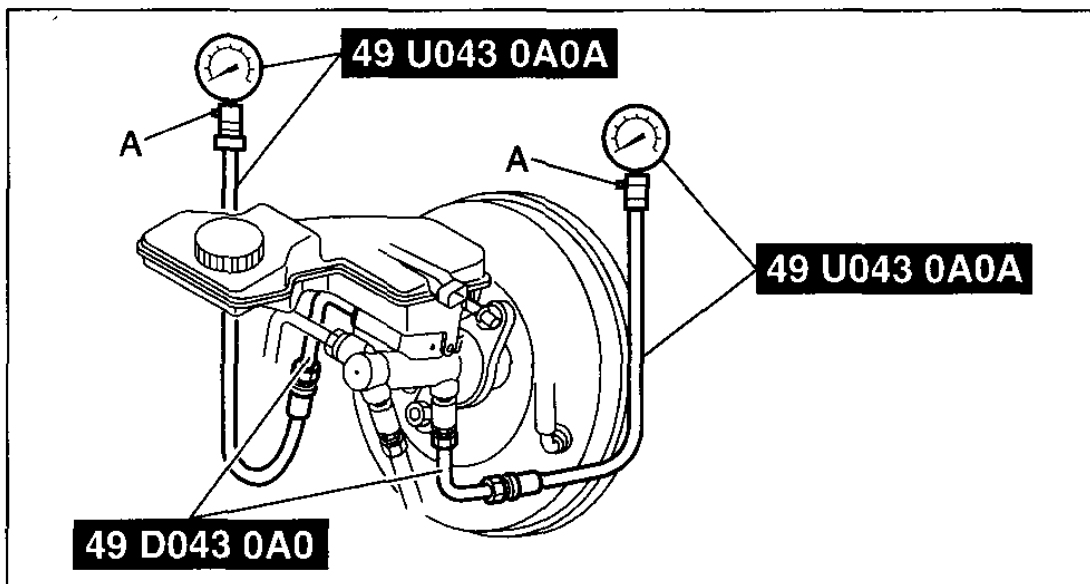
1. Proportioning Valve Inspection (Article 1366134)

Component Procedures: Brake Proportioning/Combination Valve

Proportioning Valve Inspection (Article 1366134)



c3u0411w009



c3u0411w003

Proportioning valve fluid pressure

Front brake fluid pressure (kPa {kgf/cm ² , psi})	Rear brake fluid pressure (kPa {kgf/cm ² , psi})
5,000 {50.99, 725.2}	3,500—3,700 {35.70—37.72, 507.7—536.6}
10,000 {101.97, 1450.4}	4,950—5,250 {50.48—53.53, 718.0—761.4}