

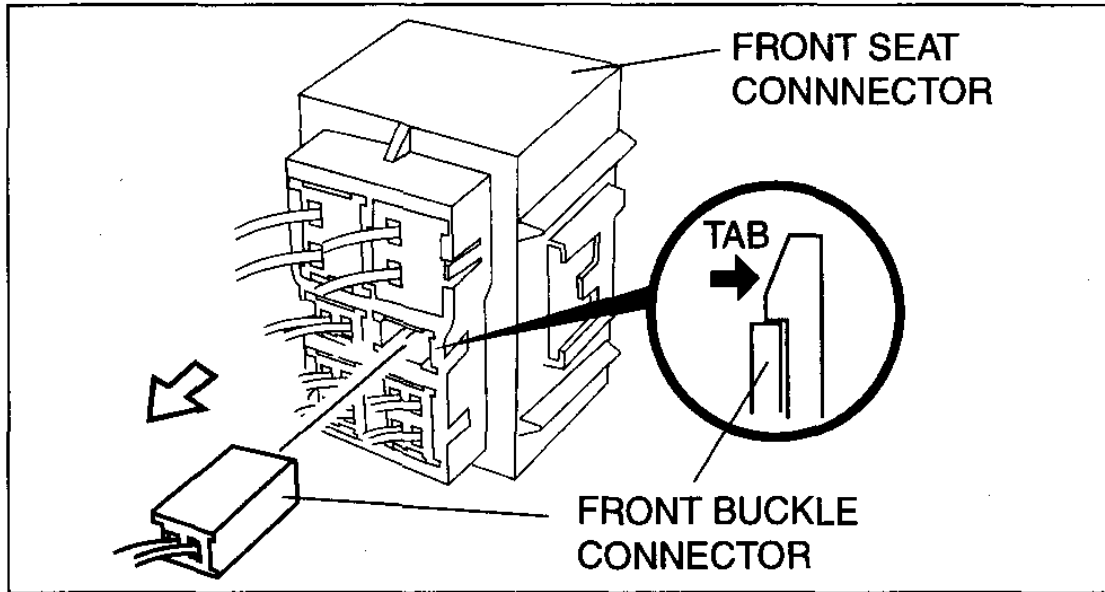
Component Procedures: Seat Belt Buckle

Table of Contents

1. Front Buckle (Article 1454200)
2. Rear Buckle (Article 1454201)
3. All Technical Service Bulletins (itype_100)
4. Customer Interest Bulletins (itype_109)
5. Component Tests and General Diagnostics (itype_383)
6. New / Updated Parts (itype_117)

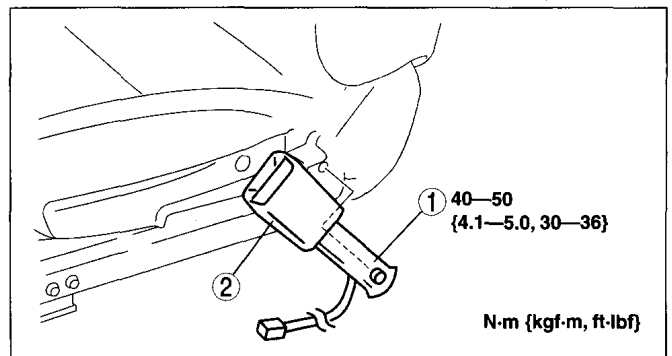
Component Procedures: Seat Belt Buckle

Front Buckle (Article 1454200)



am3zzw0000113

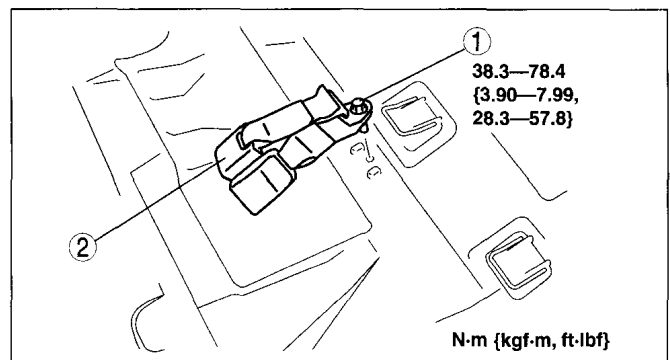
1	Bolt
2	Front buckle



am3zzw0000113

Rear Buckle (Article 1454201)

1	Bolt
2	Rear buckle



am3uuw0000135

All Technical Service Bulletins (itype_100)

Tsbs

- Restraints/Interior - Squeak/Rattle From Front Seat Belt (0800208, 2008/03/14)

Customer Interest Bulletins (itype_109)

Tsbs

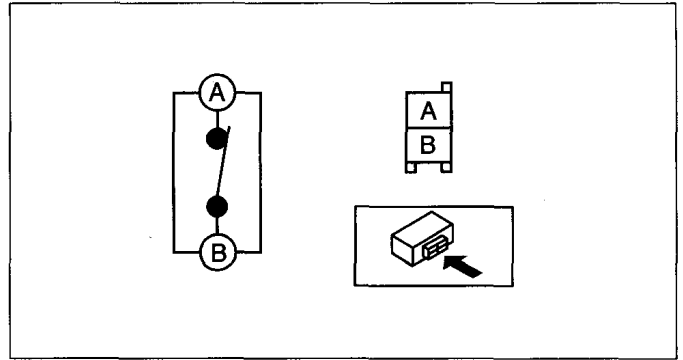
- Restraints/Interior - Squeak/Rattle From Front Seat Belt (0800208, 2008/03/14)

Component Tests and General Diagnostics (itype_383)

○ — ○ : Continuity

Seat belt	Terminal	
	A	B
Fastened		
Unfastened	○ —	— ○

A6E7750W009



E3U811ZW6004

New / Updated Parts (itype_117)

Tsbs

- Restraints/Interior - Squeak/Rattle From Front Seat Belt (0800208, 2008/03/14)