

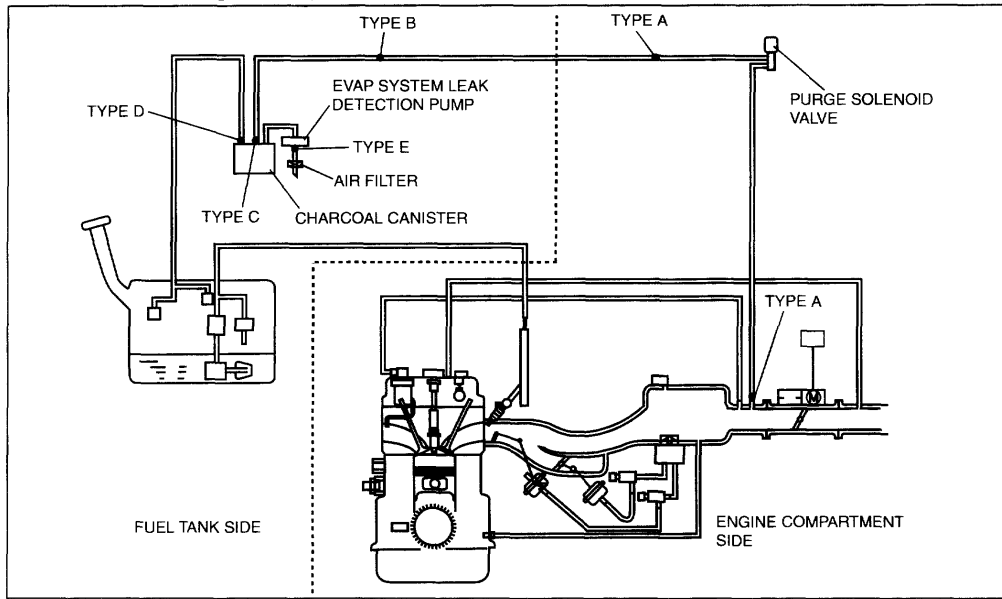
Component Procedures: Evaporative Fuel Vapor Return Hose

Table of Contents

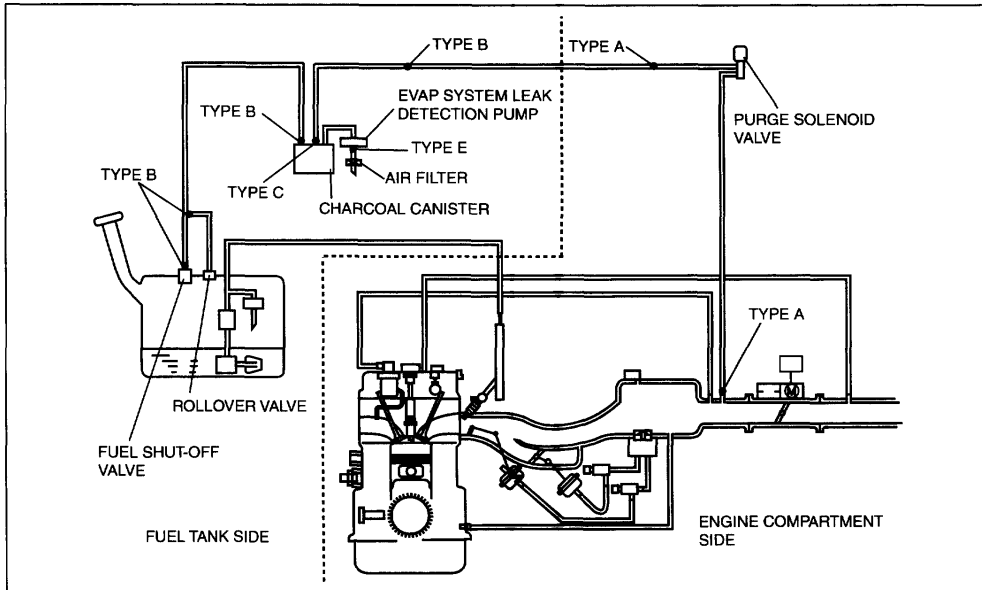
1. Removal and Replacement (itype_401)

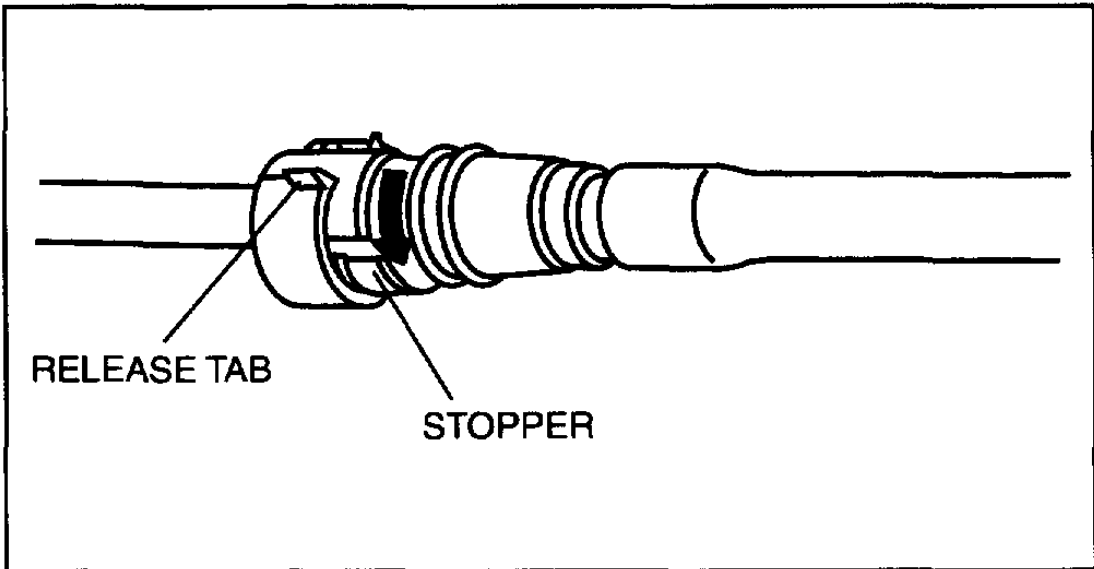
Component Procedures: Evaporative Fuel Vapor Return Hose Removal and Replacement (itype_401)

California emission regulation applicable model

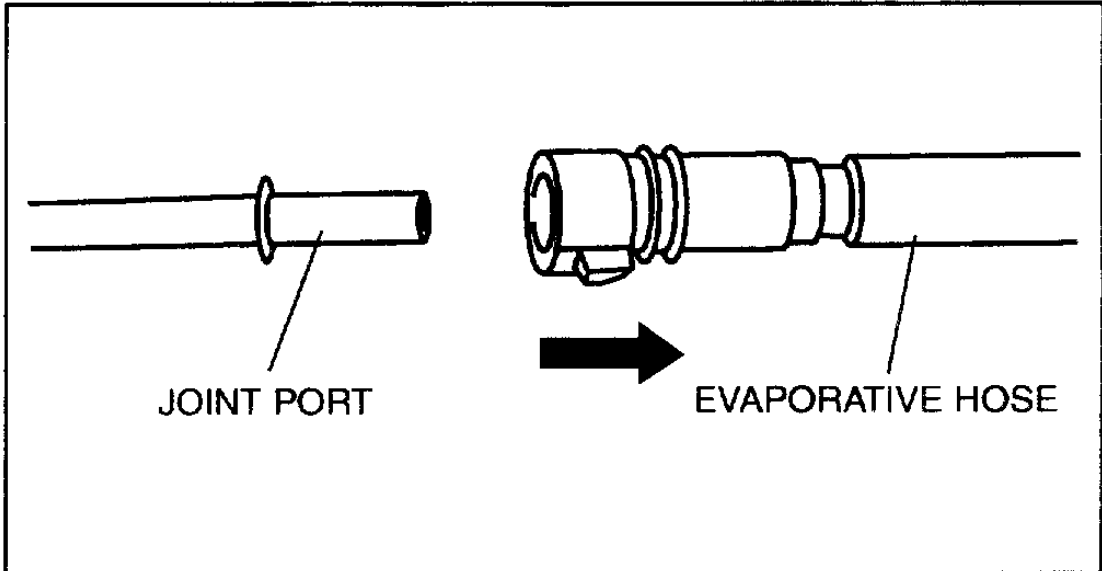


Except for California emission regulation applicable model

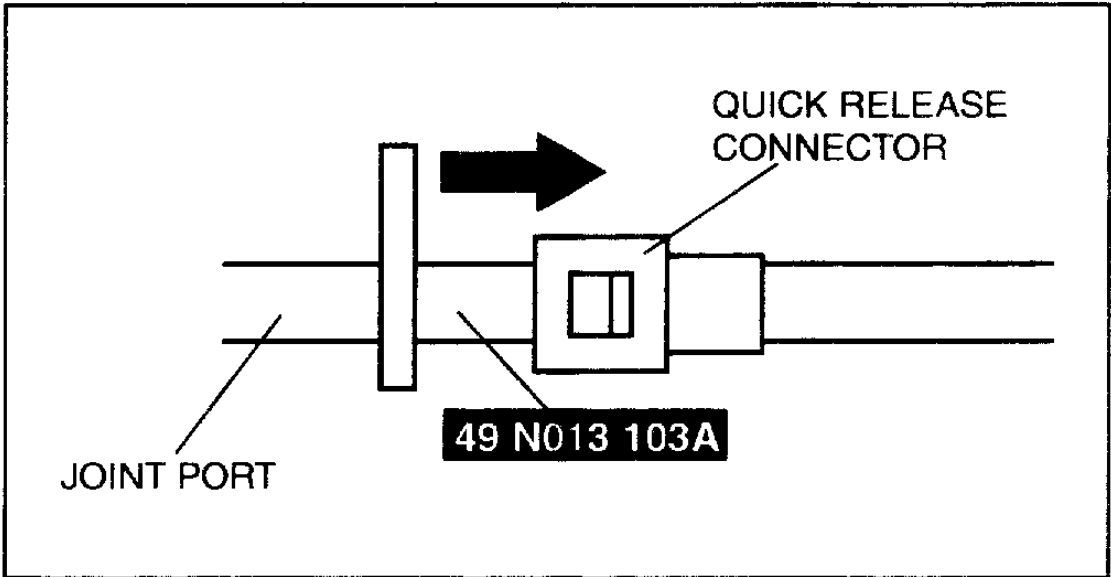




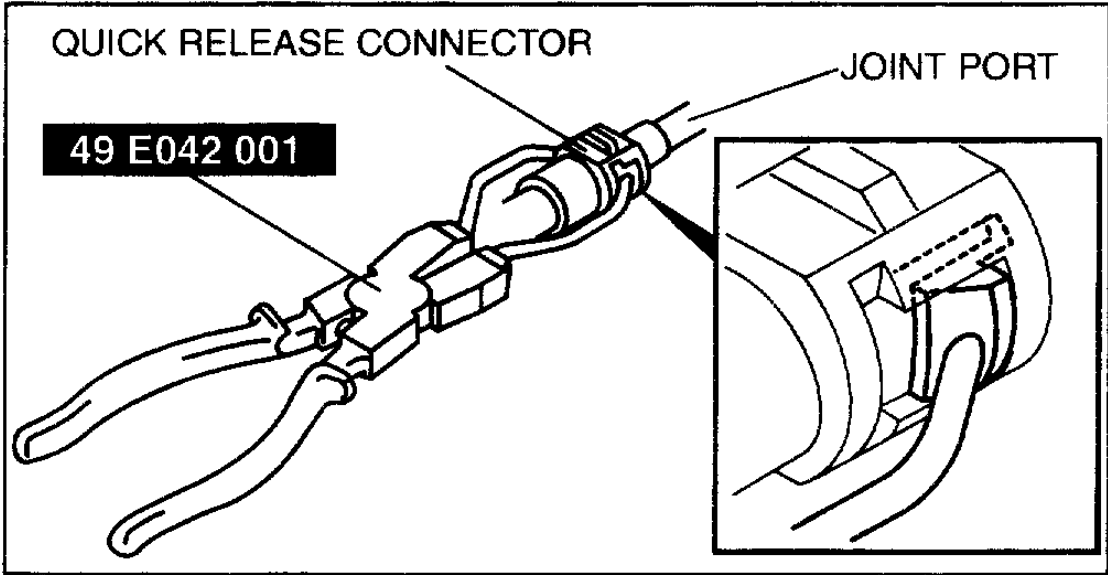
am3uuw0000014



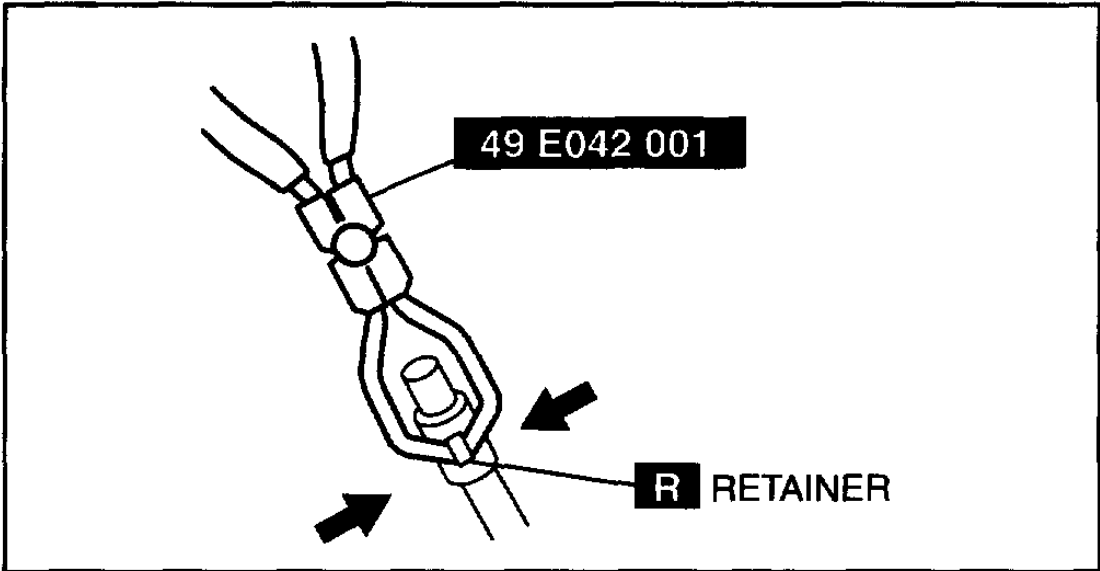
c3u0116w154



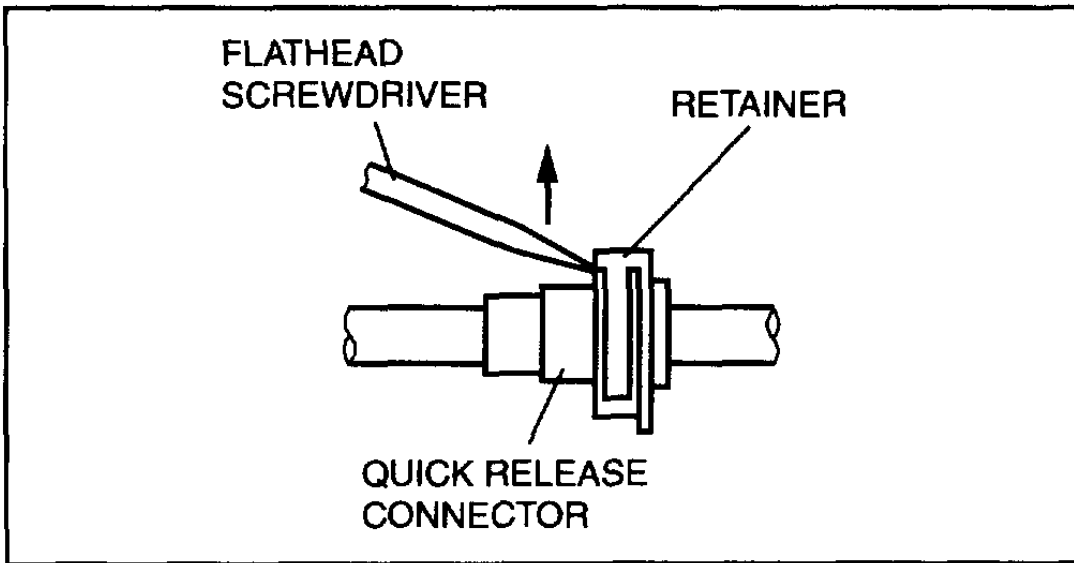
am3uuw0000073



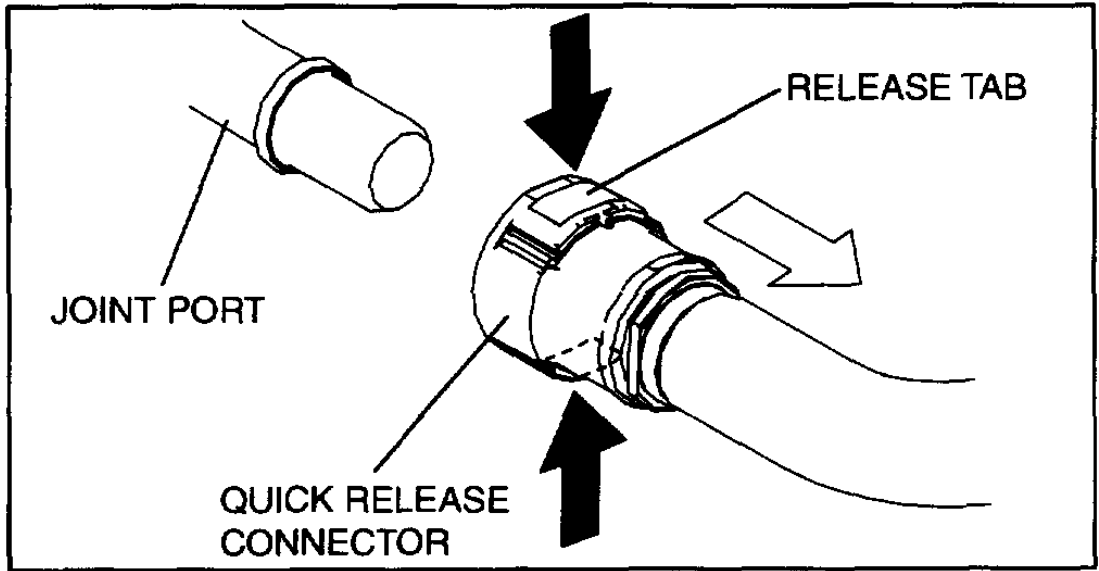
atraaw00000250



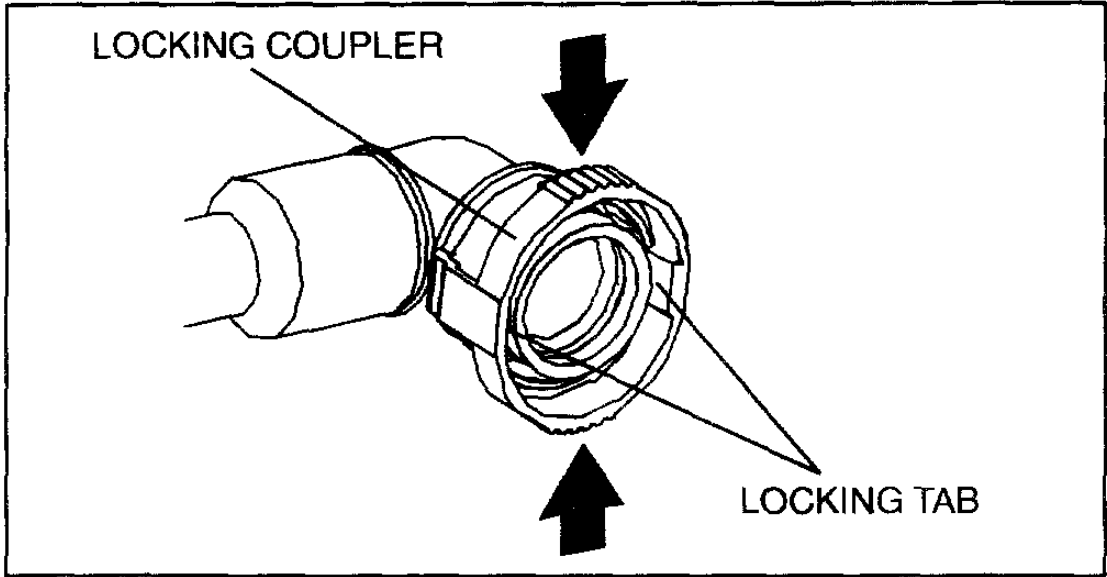
atraaw00000251



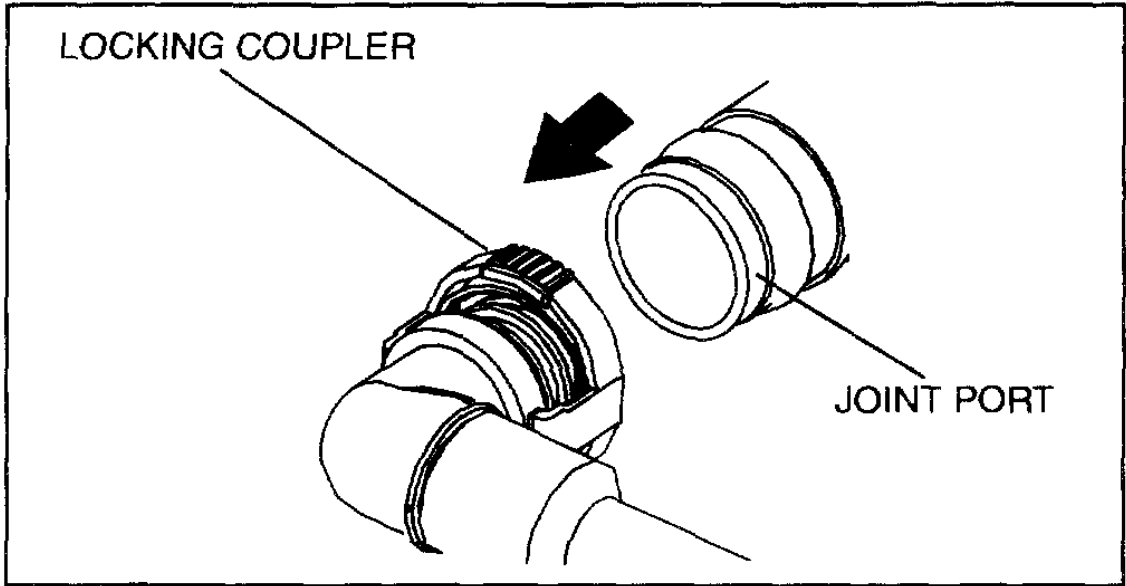
am3uuw0000014



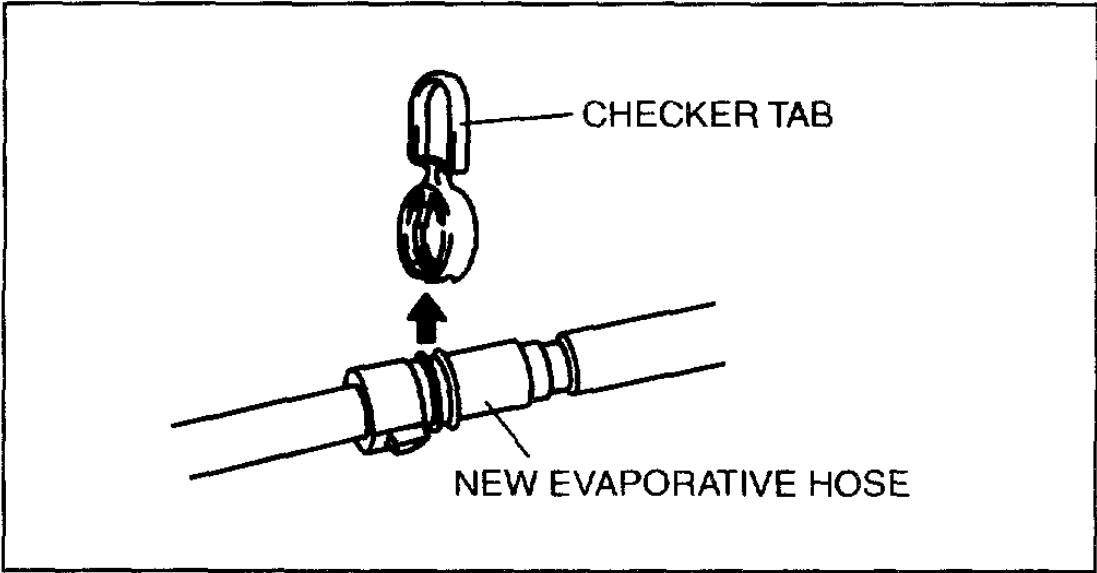
c3u0116s107



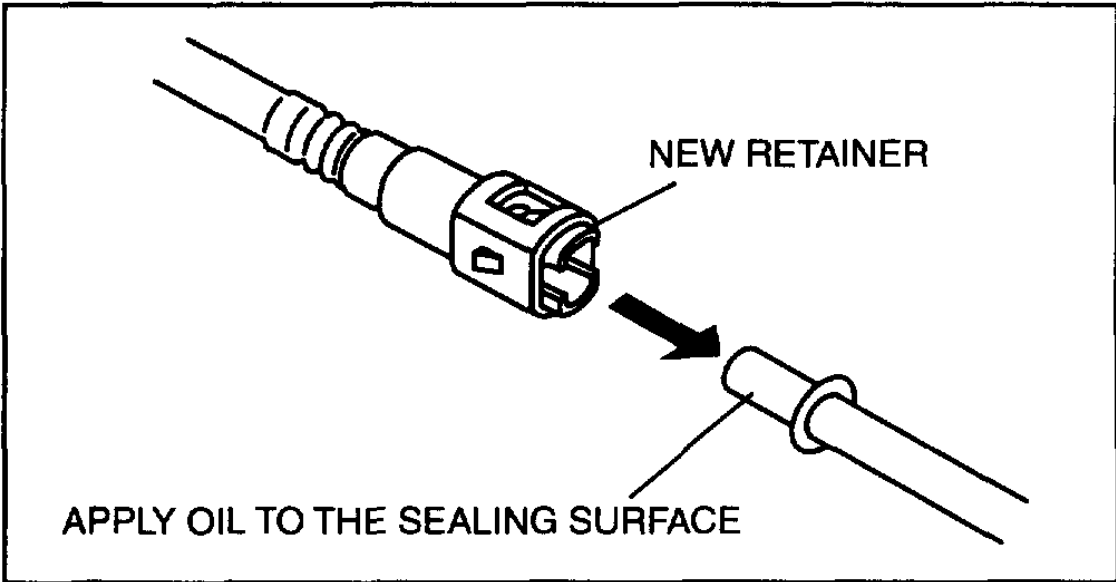
c6u0116w908



c6u0116w907



c3u0116w155



atraaw00000242