

Component Procedures: Fuel Line Coupler

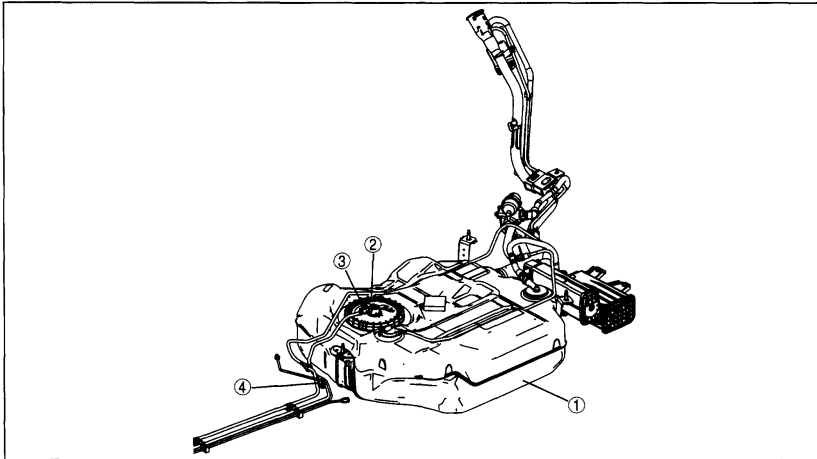
Table of Contents

1. Components (itype_32)
2. Removal and Replacement (itype_401)

Component Procedures: Fuel Line Coupler

Components (itype_32)

Except for California emission regulation applicable model

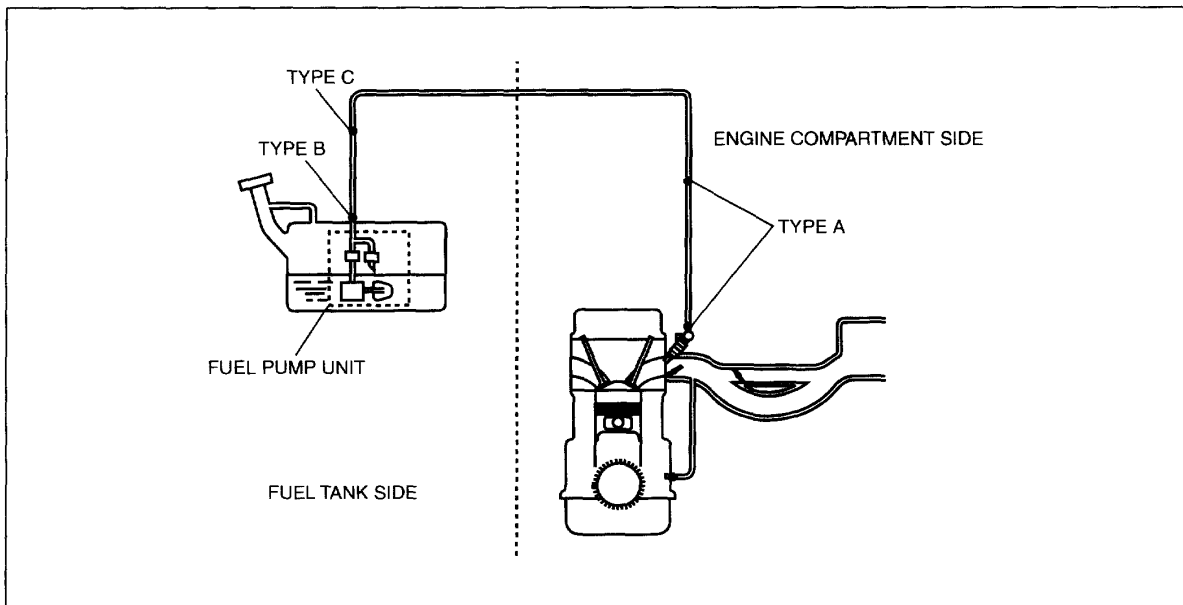


c3u0114w010

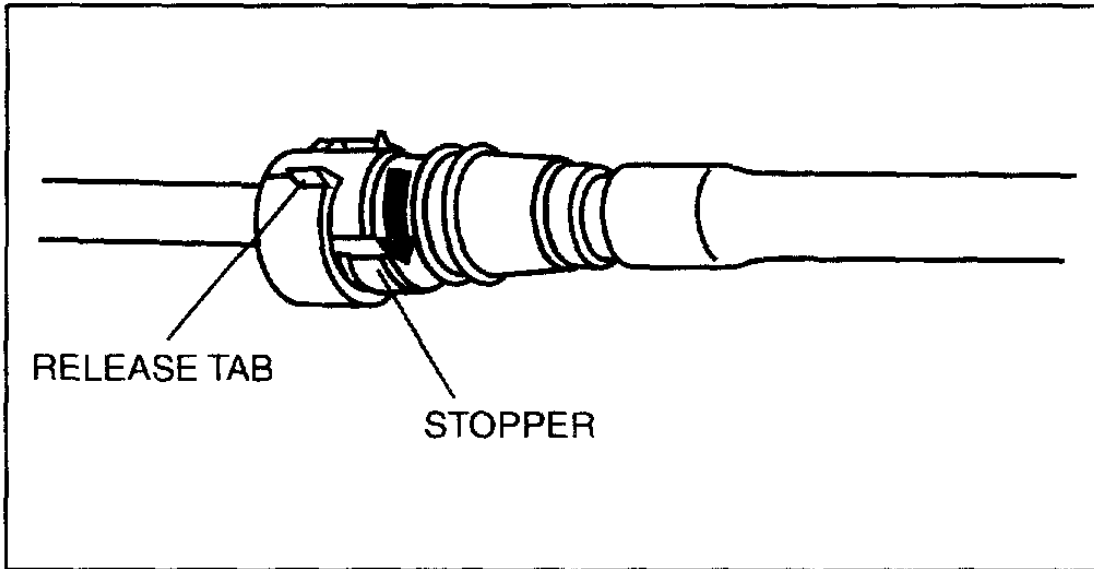
1	Fuel tank
---	-----------

2	Fuel pump unit
---	----------------

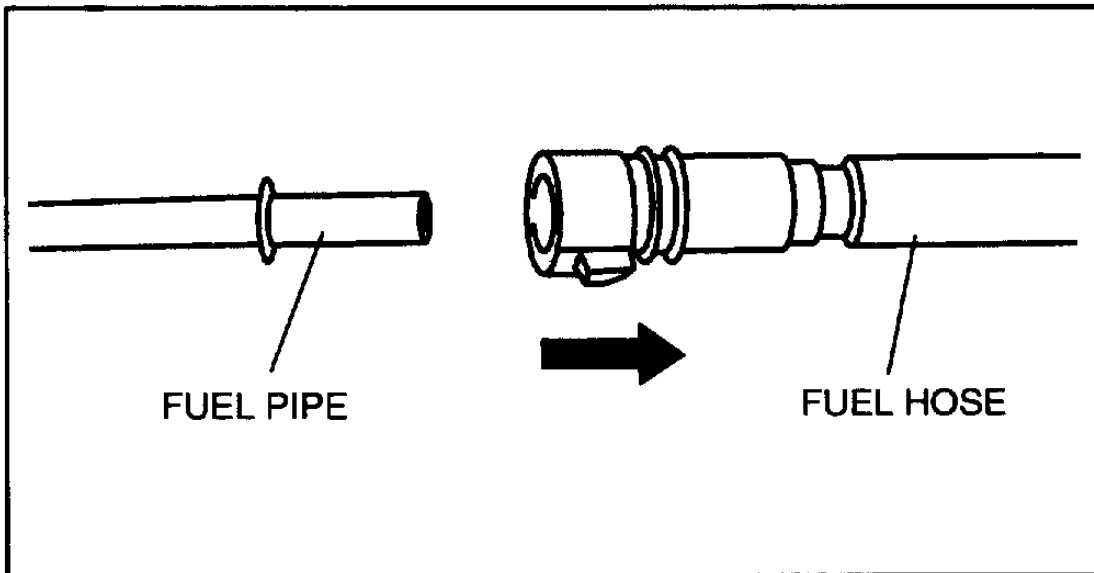
Removal and Replacement (itype_401)



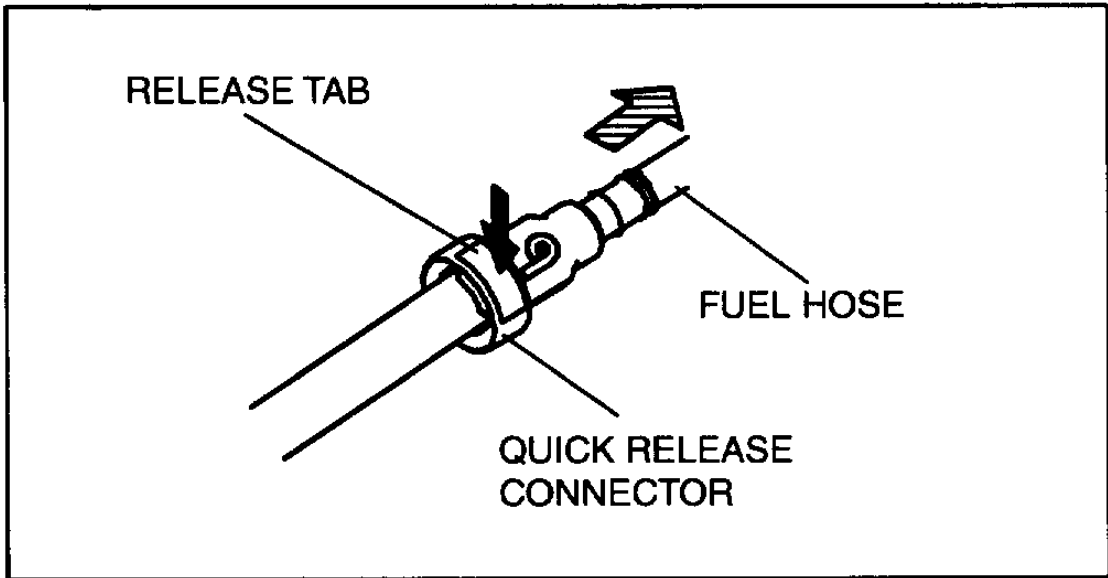
c3u0114w120



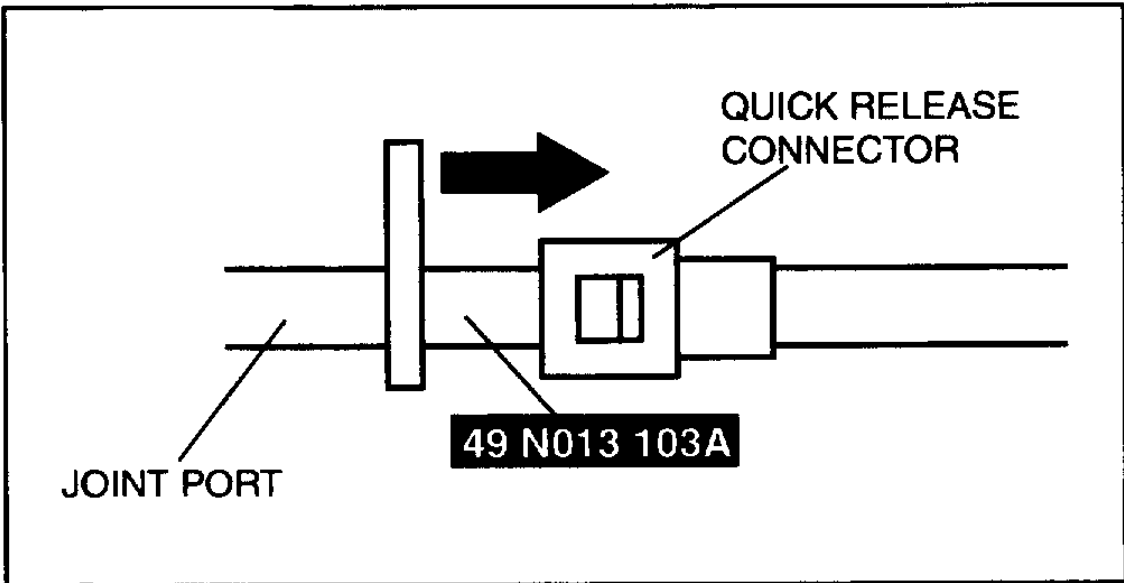
am3uuw0000014



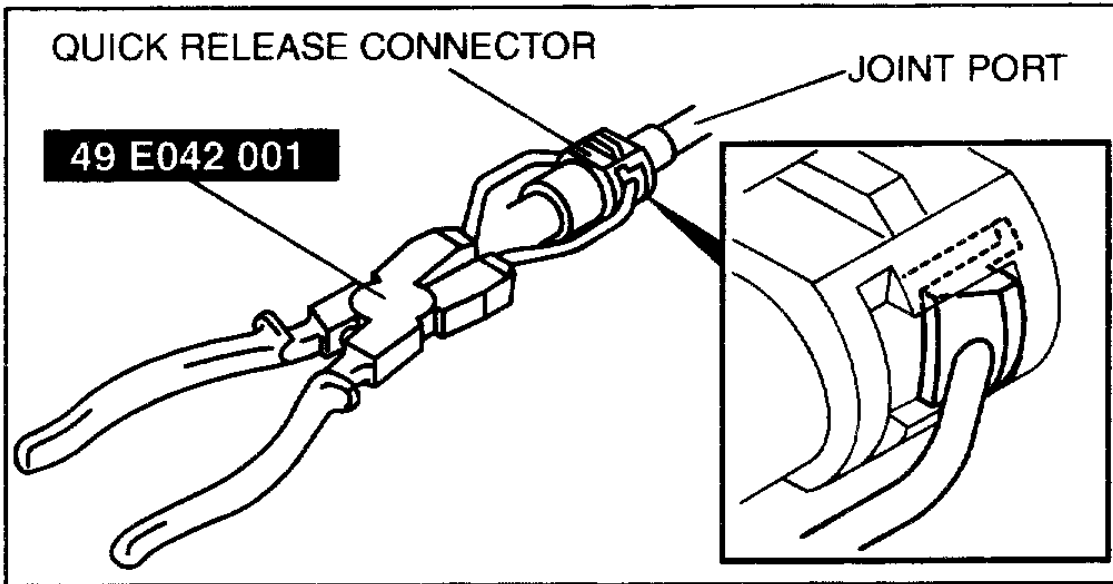
am3uuw0000014



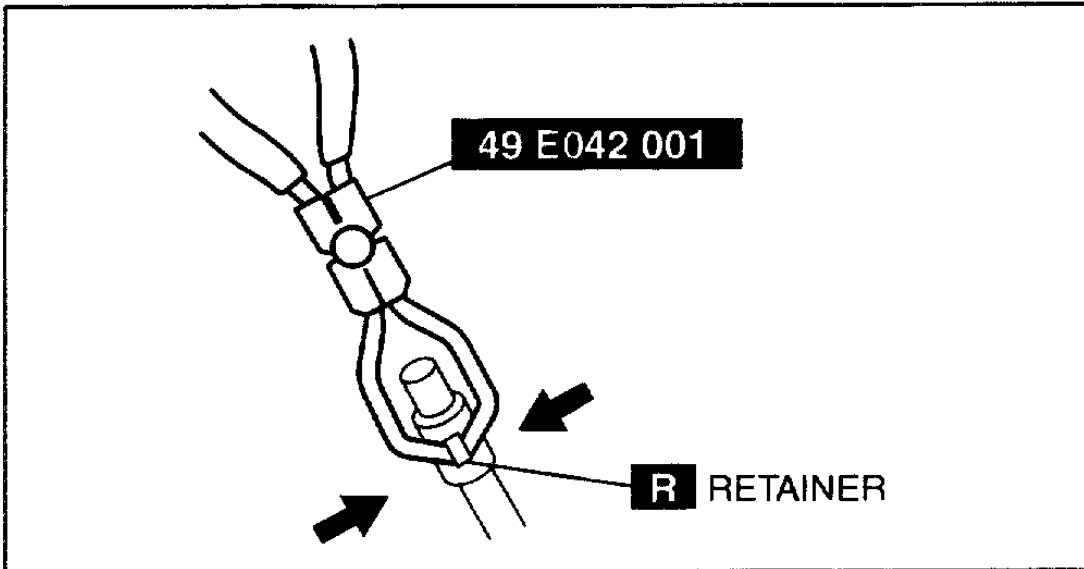
c3u0114w129



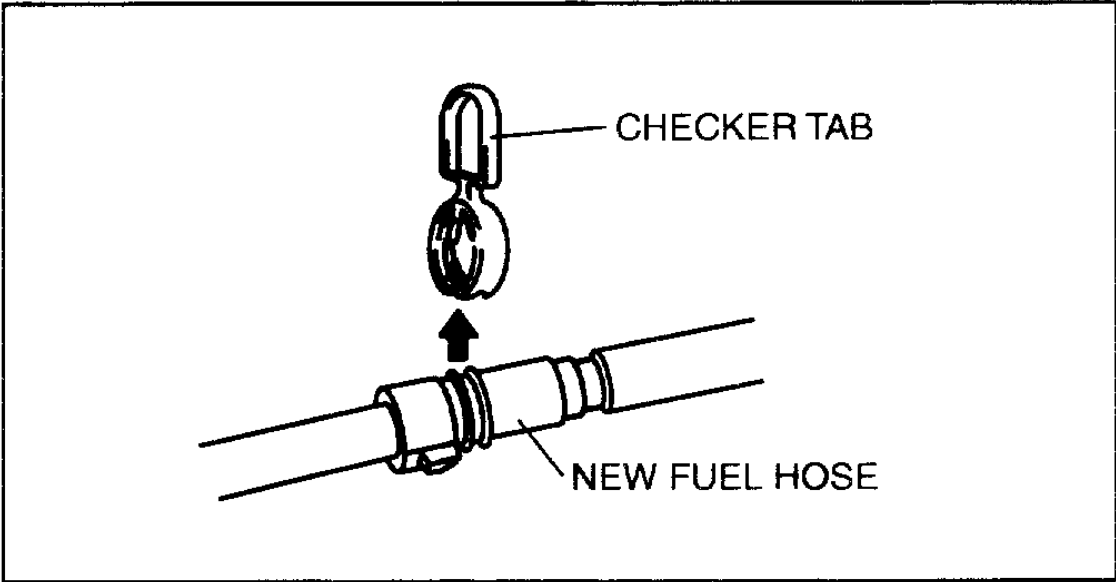
am3uuw0000073



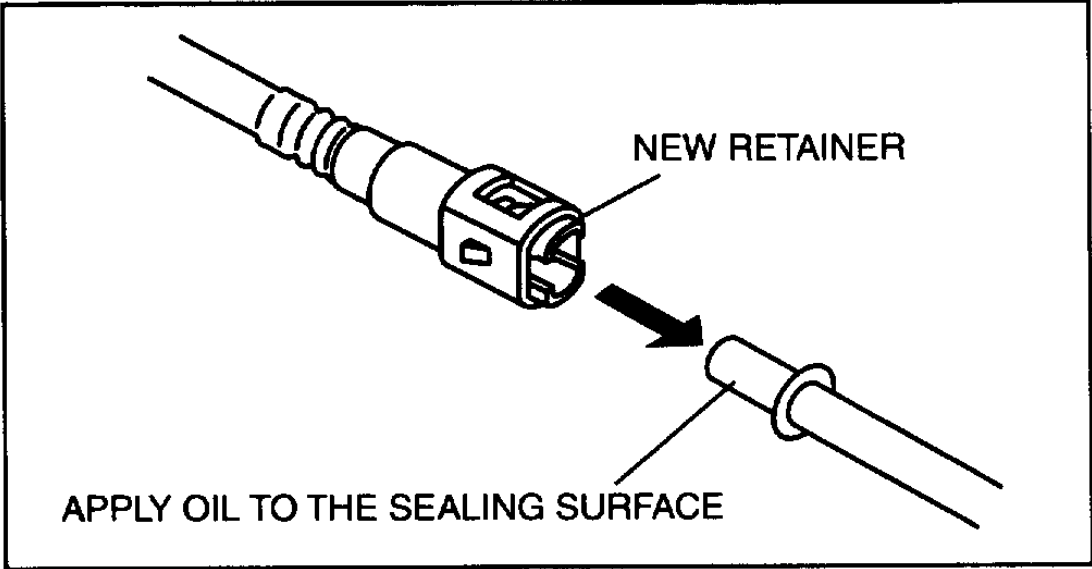
atraaw00000250



atraaw00000251



am3uuw0000014



atraaw00000242