

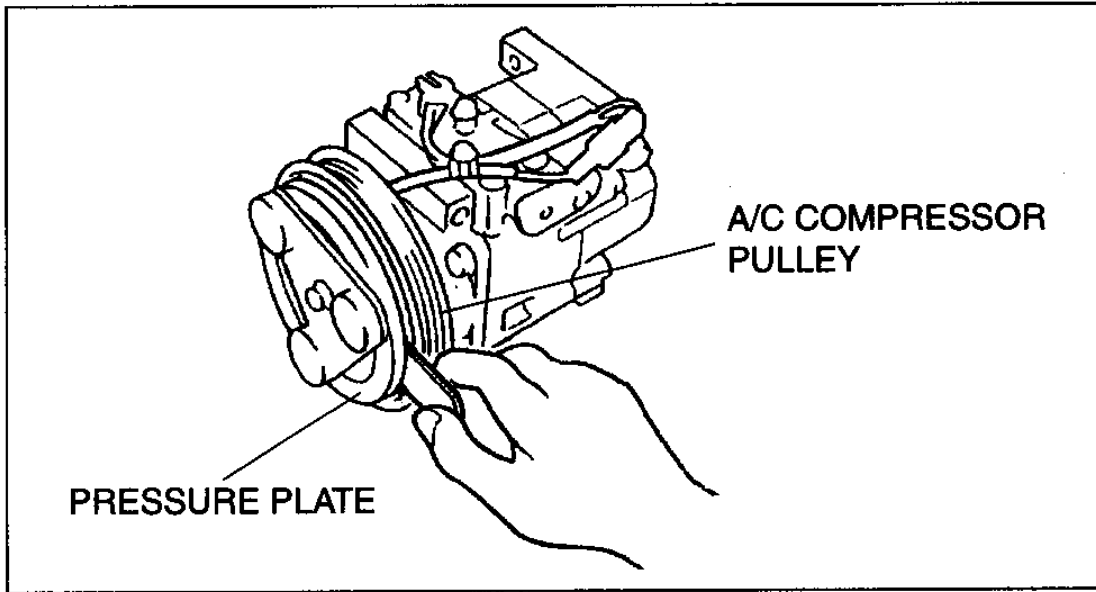
# **Component Procedures: Compressor Clutch**

## **Table of Contents**

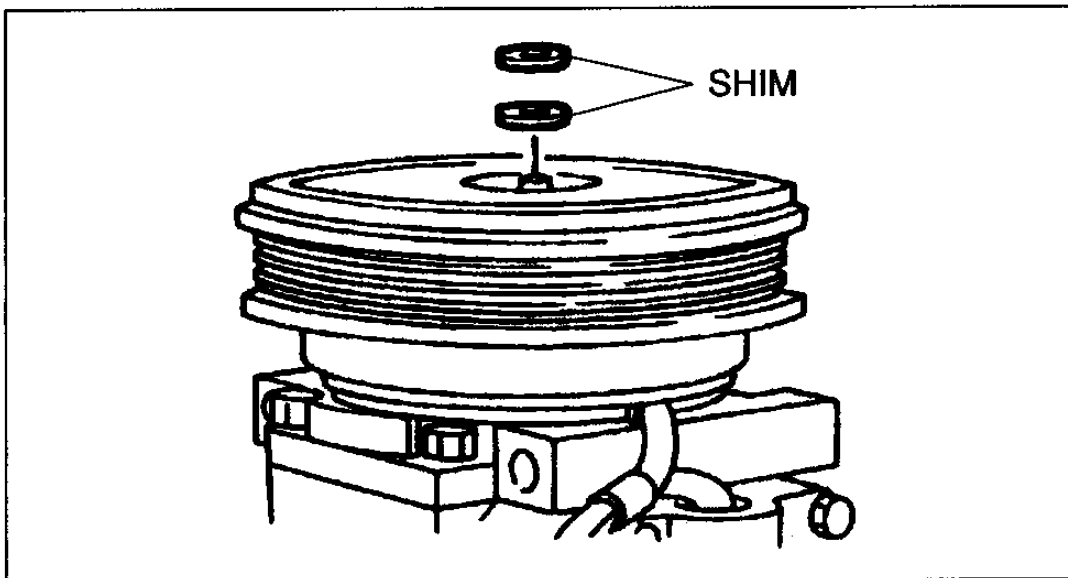
1. Adjustments (itype\_5)
2. Parts and Labor (itype\_189)
3. Removal and Replacement (itype\_401)
4. Mechanical (including Torque) (itype\_28)
5. Component Tests and General Diagnostics (itype\_383)

# Component Procedures: Compressor Clutch

## Adjustments (itype\_5)



A6E8540W051



a6e8540w052

## Parts and Labor (itype\_189)

### Parts

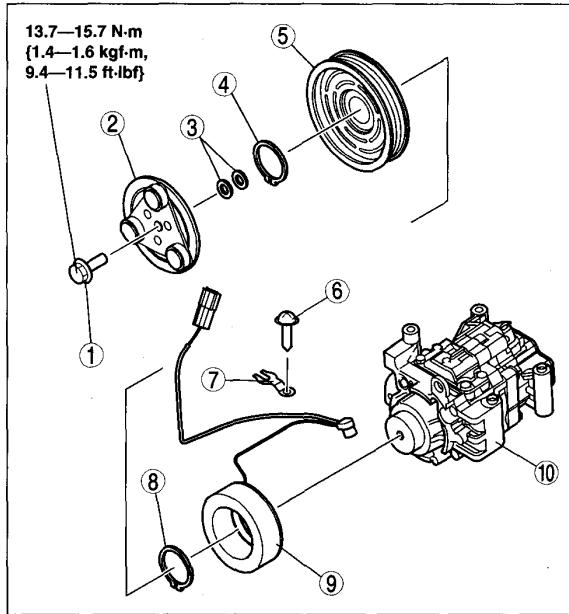
Qualifier	Part #	Name	Price	Note
Clutch > From 1/1/07	BP4S61L20	Clutch	306.66	Includes Pulley.

### Labor

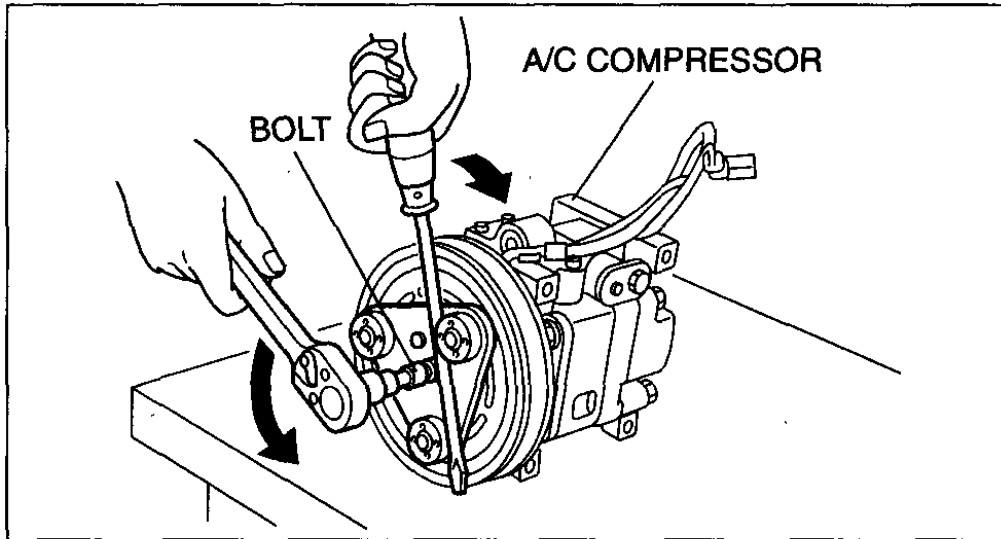
Operation	Qualifier Path	Skill	Std Hrs	Wty Hrs
Replace	Clutch, R&R	B	1.2	0.8

## Removal and Replacement (itype\_401)

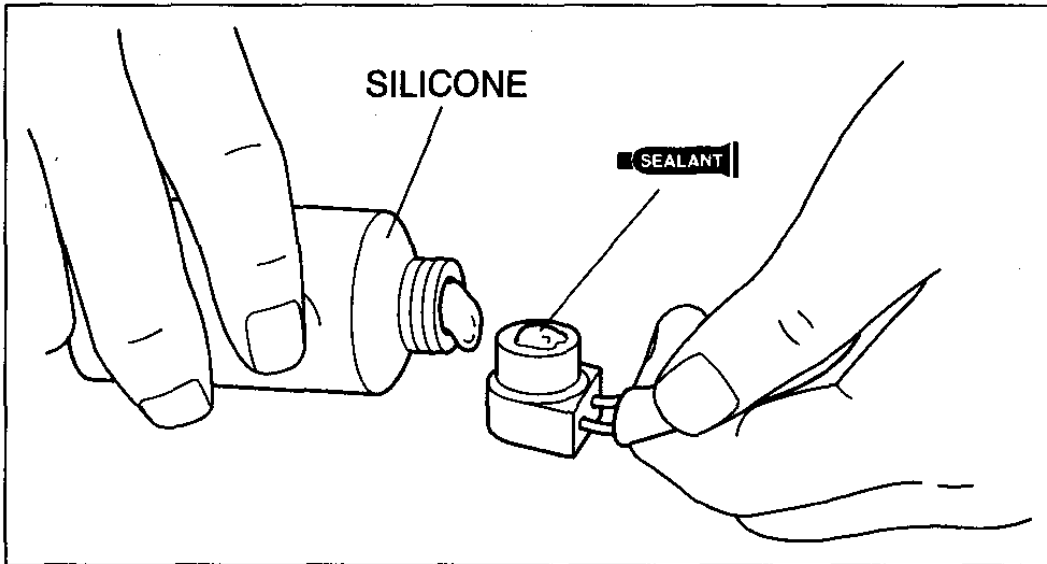
1	Bolt
2	Pressure plate
3	Shim
4	Snap ring
5	A/C compressor pulley
6	Screw
7	Clamp
8	Snap ring
9	Stator and thermal protector
10	A/C compressor body



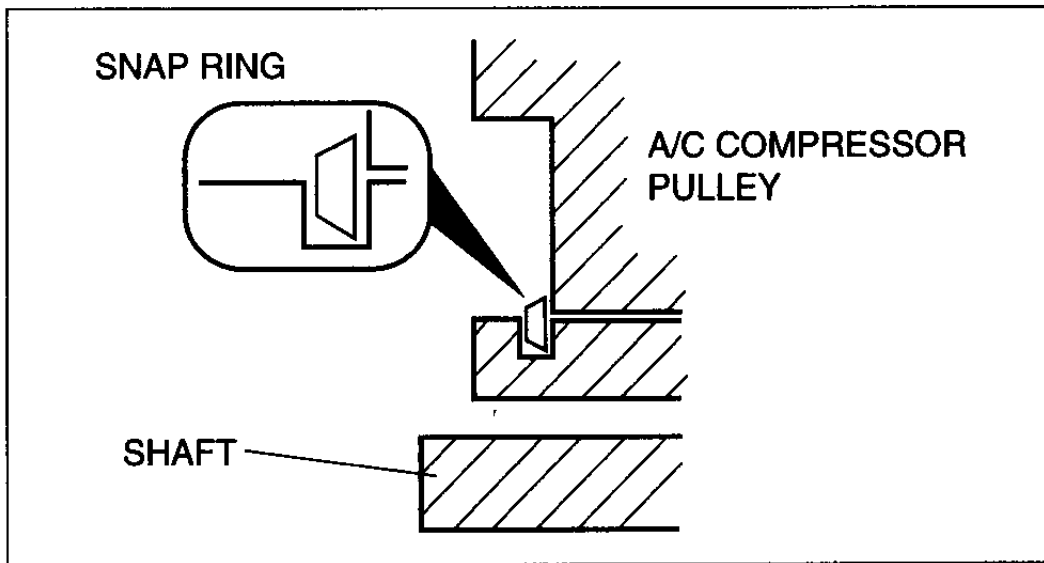
am3uuw000067



am3zzw000086



am3zzw0000086

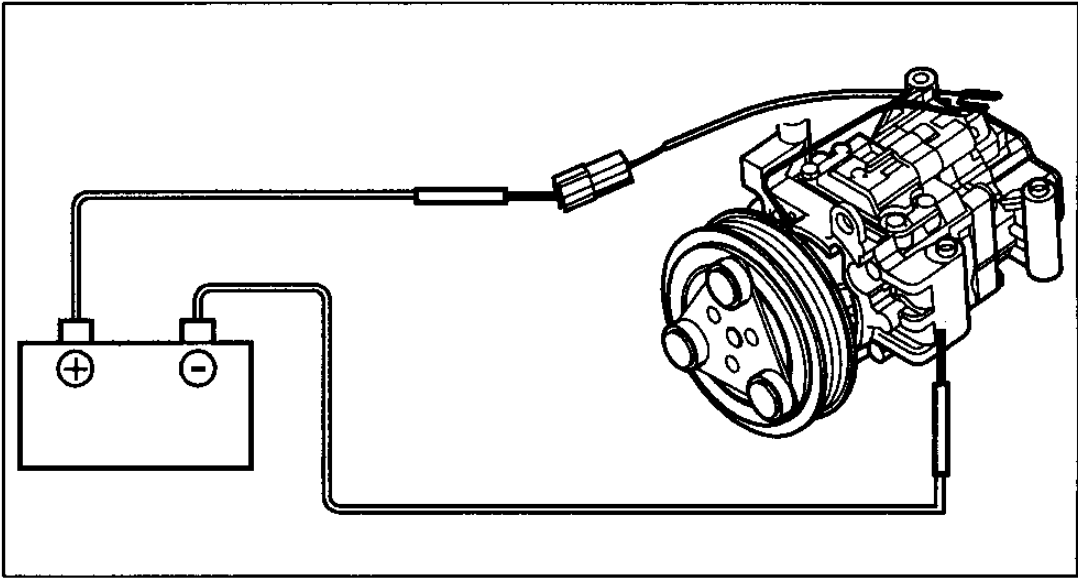


am3zzw0000086

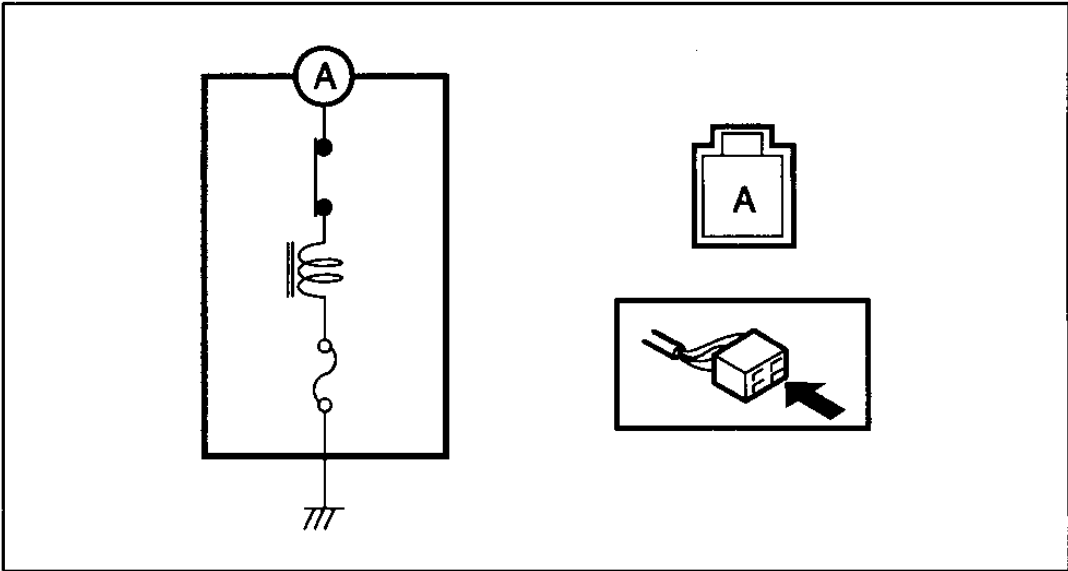
**Mechanical (including Torque) (itype\_28)**

Clutch Gap: 0.3-0.5 mm {0.012-0.019 in}

**Component Tests and General Diagnostics (itype\_383)**



am3uuw0000128



am3uuw0000128