

Component Procedures: Auxiliary Power Outlet

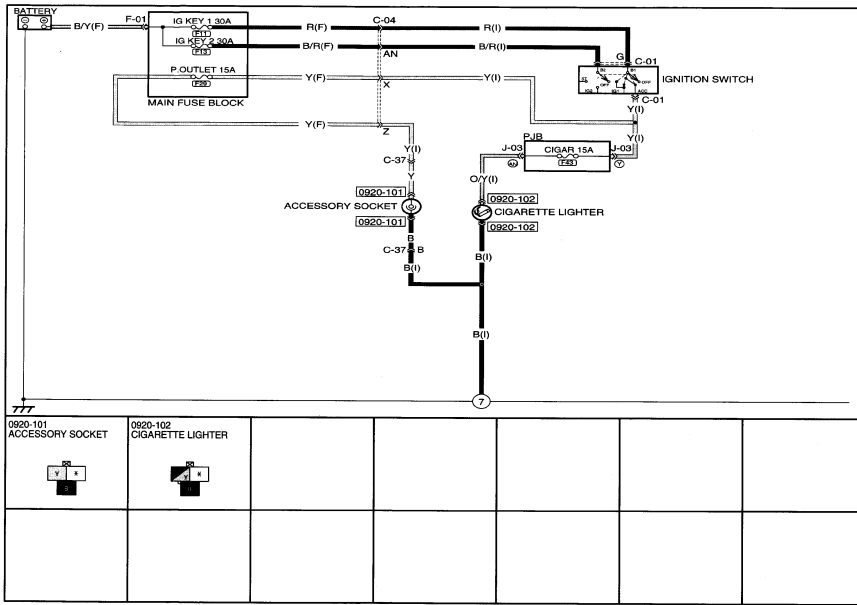
Table of Contents

1. Electrical (OE) (itype_21)
2. Removal and Replacement (itype_401)
3. Component Tests and General Diagnostics (itype_383)

Component Procedures: Auxiliary Power Outlet Electrical (OE) (itype_21)

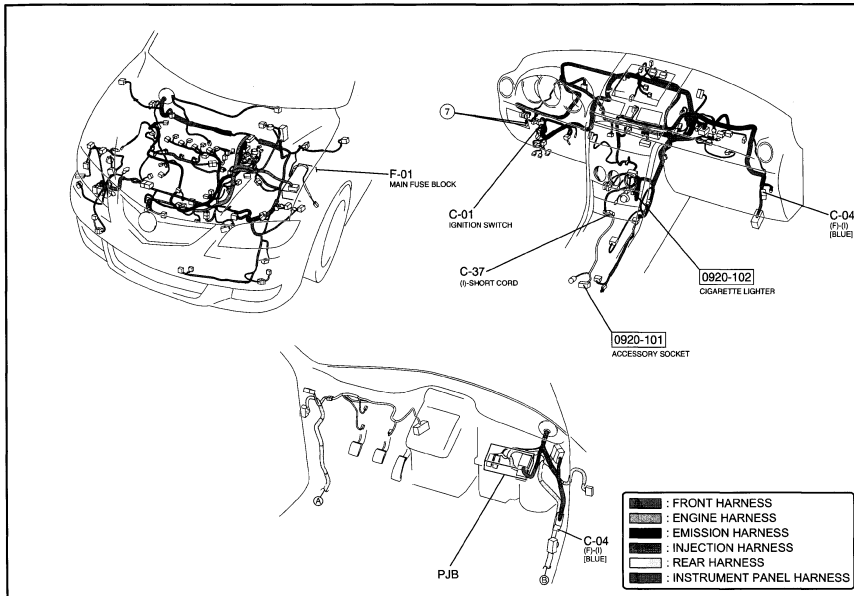
ACCESSORY SOCKET/CIGARETTE LIGHTER

0920-1



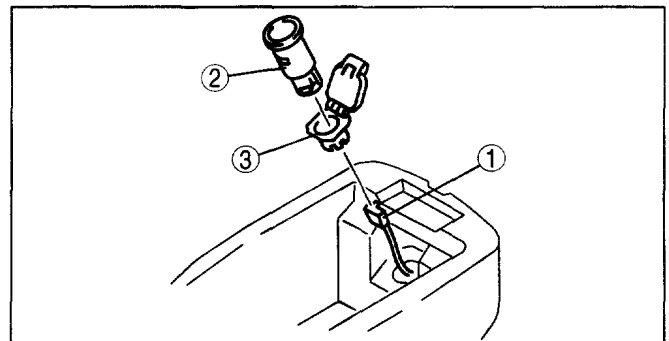
ACCESSORY SOCKET/CIGARETTE LIGHTER

0920-1

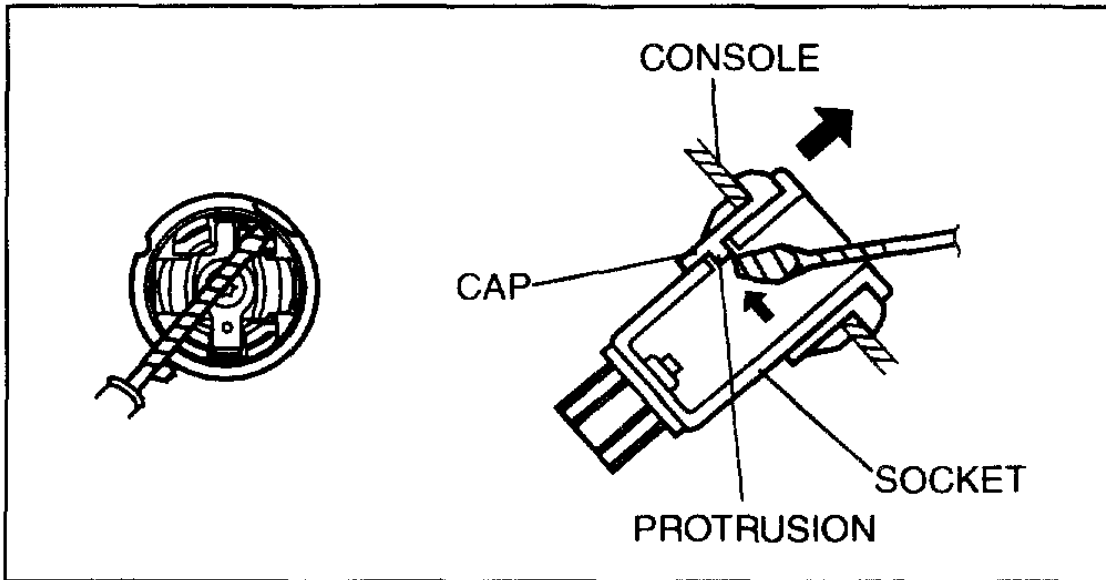


Removal and Replacement (itype_401)

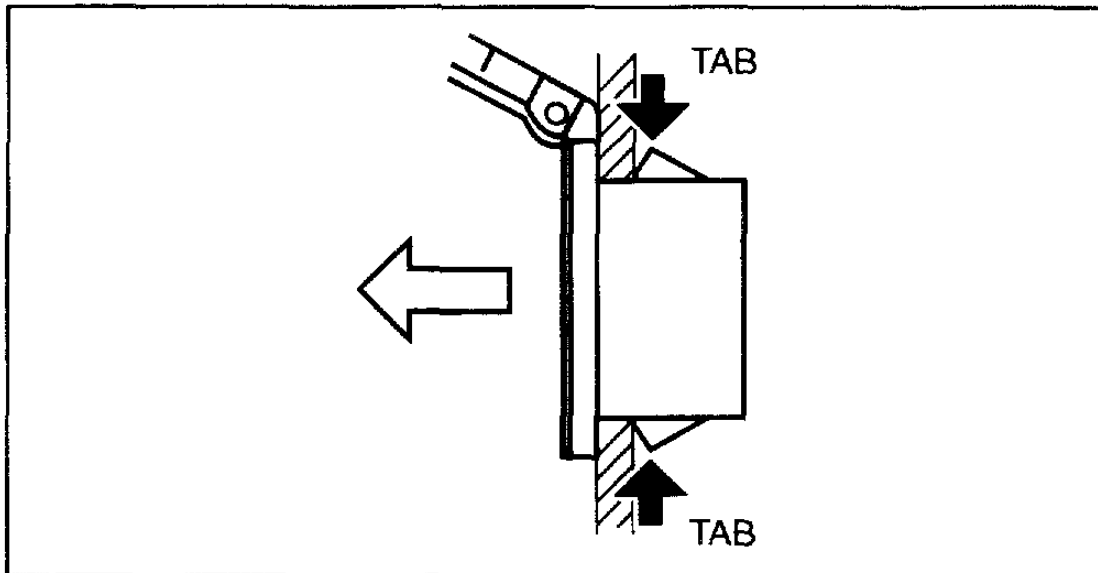
1	Connector
2	Socket
3	Cap



b6u0920w004



b6u0920w006



b6u0920w007

Component Tests and General Diagnostics (itype_383)

ACCESSORY SOCKET
INSPECTION

See CIGARETTE LIGHTER INSPECTION.