

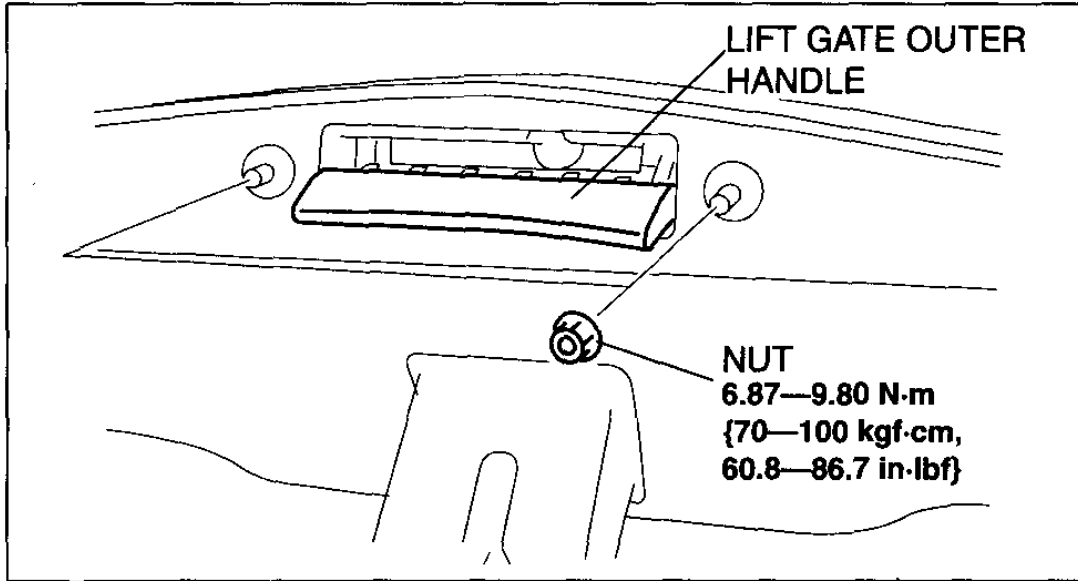
# **Component Procedures: Trunk / Liftgate Handle**

## **Table of Contents**

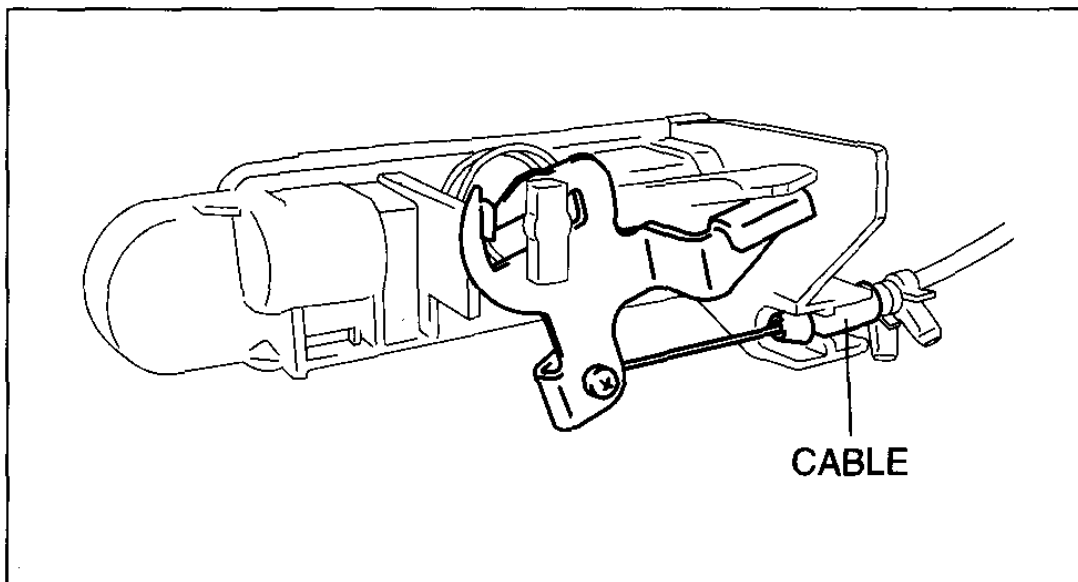
1. Removal and Replacement (itype\_401)

# Component Procedures: Trunk / Liftgate Handle

Removal and Replacement (itype\_401)



B3E0914W032



B3E0914W033