

Component Procedures: Ignition Switch

Table of Contents

1. Parts and Labor (itype_189)
2. Electrical (OE) (itype_21)
3. Components (itype_32)
4. Removal and Replacement (itype_401)
5. Component Tests and General Diagnostics (itype_383)

Component Procedures: Ignition Switch

Parts and Labor (itype_189)

Parts

Qualifier	Part #	Name	Price	Note
Ignition Switch	BP4K66151B	Ignition Switch	68.82	

Labor

Operation	Qualifier Path	Skill	Std Hrs	Wty Hrs
Replace	Ignition Switch, R&R	B	0.4	0.0

Electrical (OE) (itype_21)

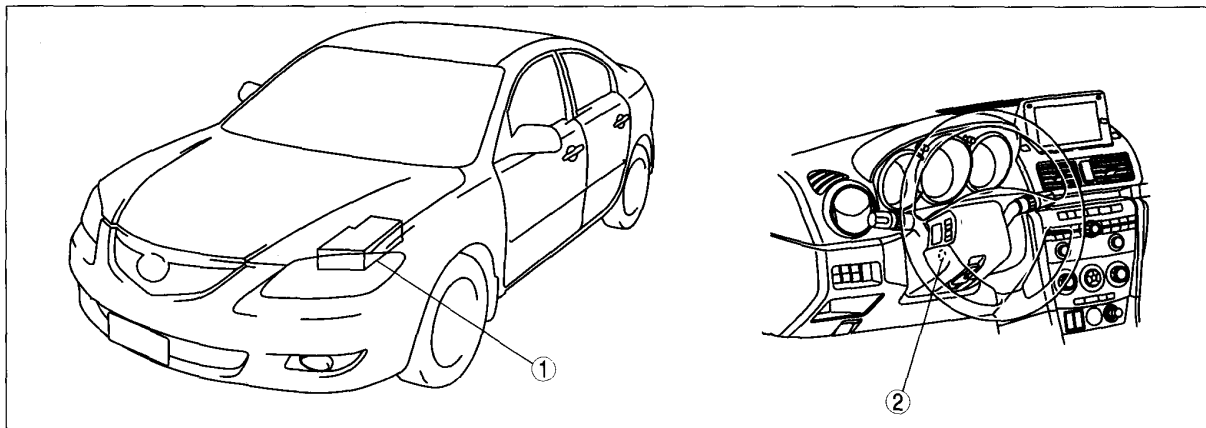
For information regarding diagrams for this component, please refer to Power and Ground Distribution Diagrams.

See: Power and Ground Distribution > Electrical

Components (itype_32)

POWER SYSTEM LOCATION INDEX

id092100800700



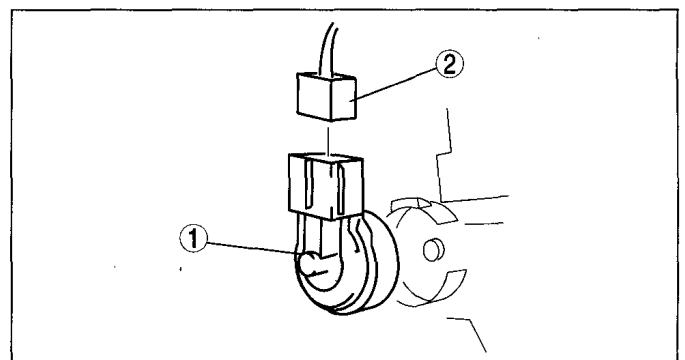
c3u0921w002

1	Main fuse block
---	-----------------

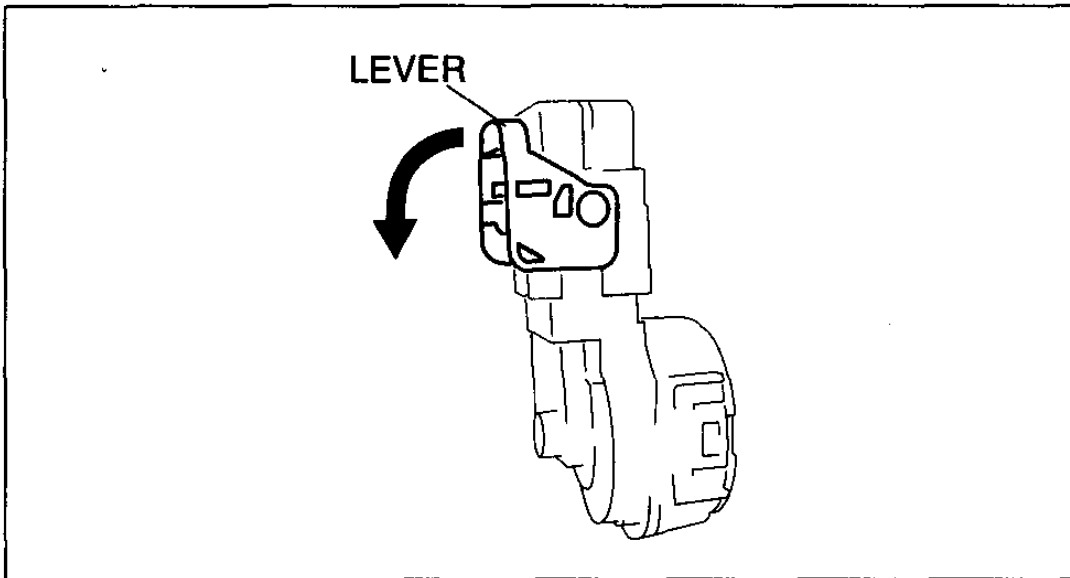
2	Ignition switch
---	-----------------

Removal and Replacement (itype_401)

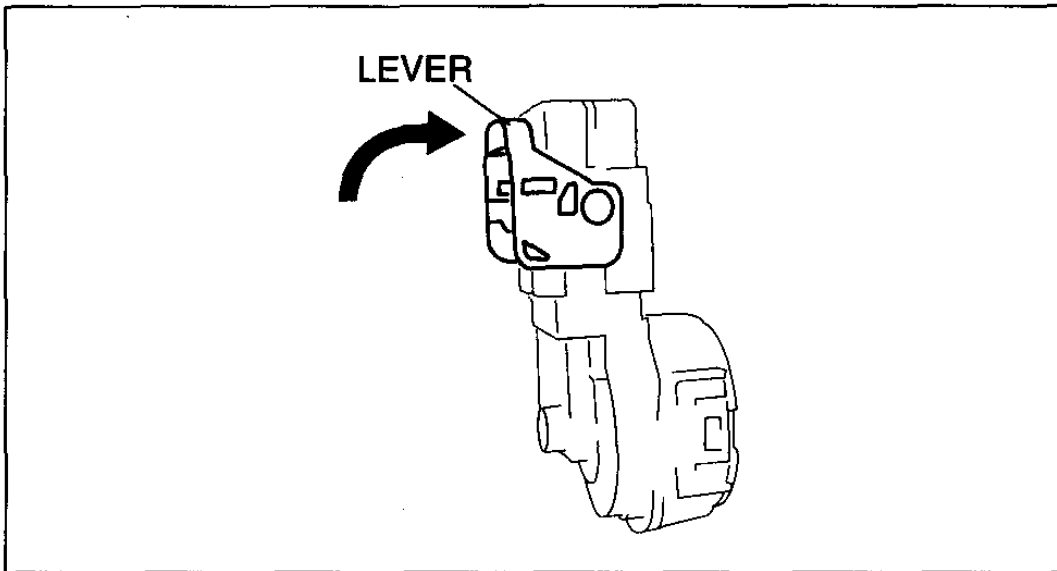
1	Ignition switch
2	Connector



am3uuw0000085



am3uuw000085



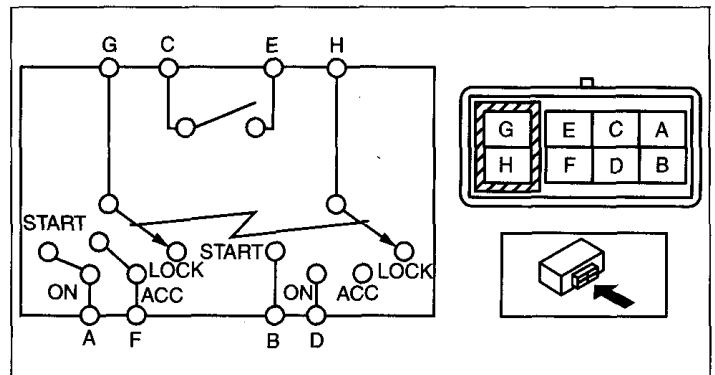
am3uuw000085

Component Tests and General Diagnostics (itype_383)

○—○: Continuity

Ignition key position	Terminal							
	A	B	C	D	E	F	G	H
LOCK								
ACC						○—○		
ON	○—○				○—○		○—○	
START	○—○			○—○			○—○	
Key inserted			○—○		○—○			
Key removed								

B3E0921W009



am3uuw0000139