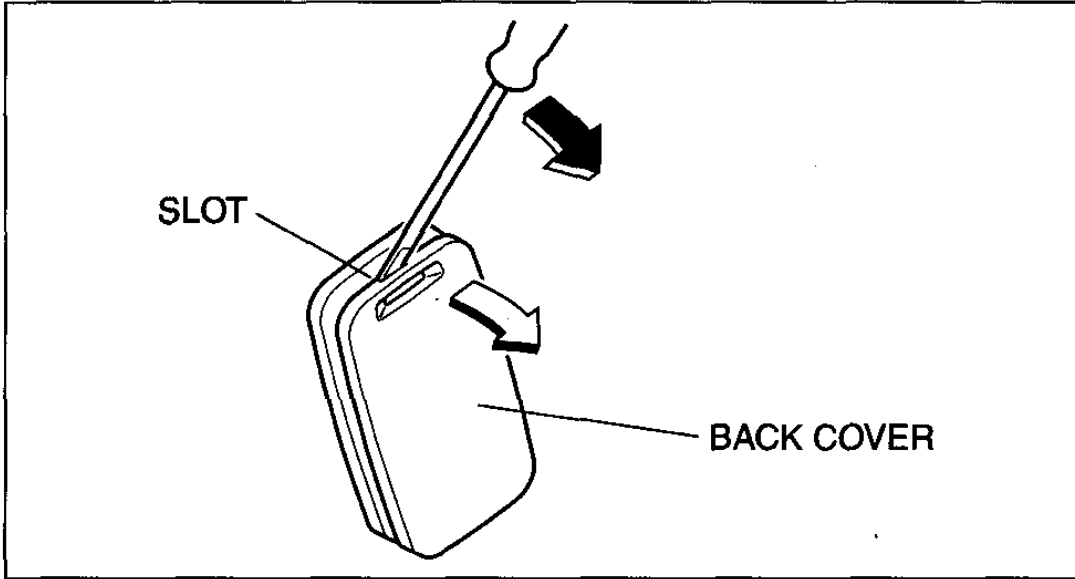


Component Procedures: Keyless Entry Transmitter Battery

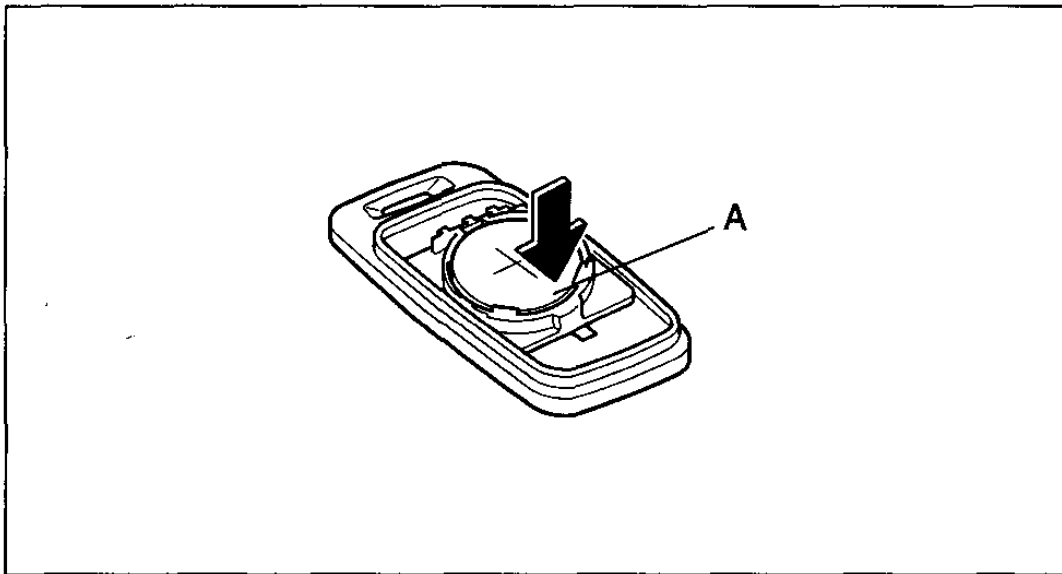
Table of Contents

1. Removal and Replacement (itype_401)
2. All Technical Service Bulletins (itype_100)
3. Repair Tips (itype_110)
4. Component Tests and General Diagnostics (itype_383)

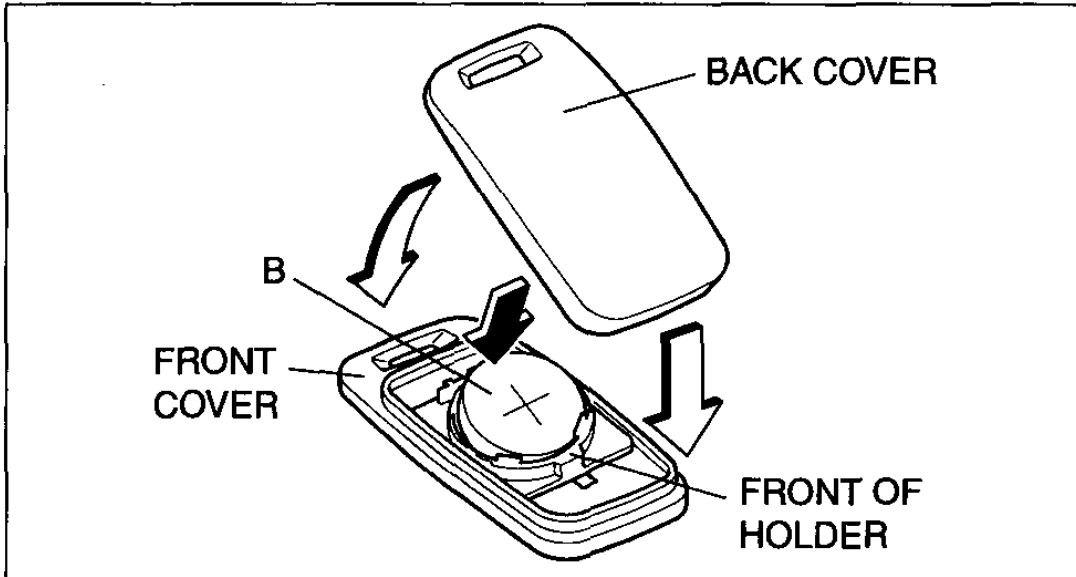
Component Procedures: Keyless Entry Transmitter Battery Removal and Replacement (itype_401)



A6E7718W001



A6E7718W002



A6E7718W003

All Technical Service Bulletins (itype_100)

Tsbs

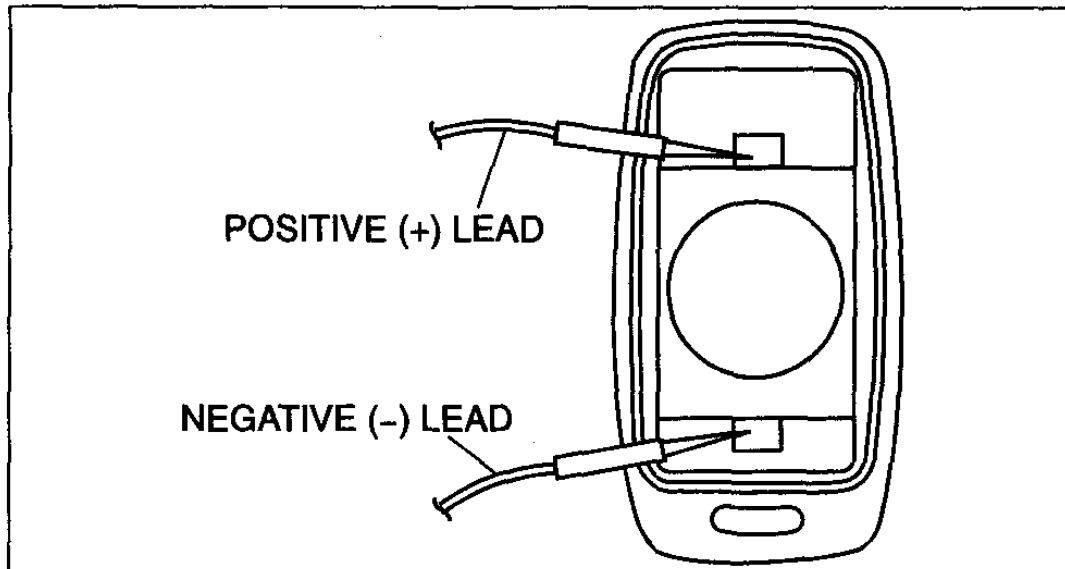
- Keyless Entry - Transmitter Battery Replacement Cautions (0904110, 2010/08/30)

Repair Tips (itype_110)

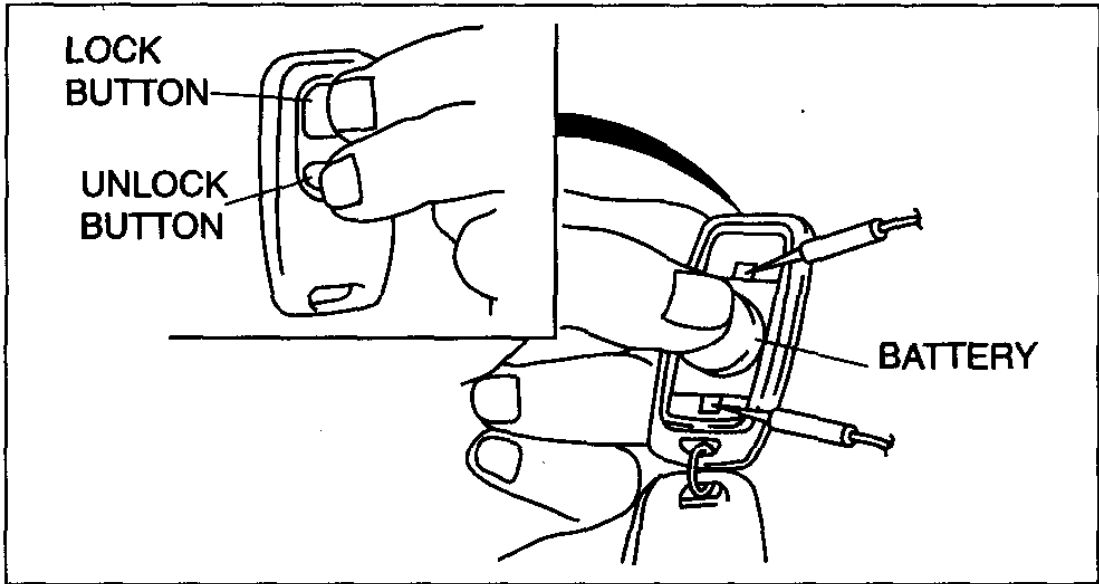
Tsbs

- Keyless Entry - Transmitter Battery Replacement Cautions (0904110, 2010/08/30)

Component Tests and General Diagnostics (itype_383)



A6E7718W005



A6E7718W006