

Component Procedures: Ignition Coil

Table of Contents

1. Parts and Labor (itype_189)
2. Components (itype_32)
3. Removal and Replacement (itype_401)
4. Component Tests and General Diagnostics (itype_383)

Component Procedures: Ignition Coil

Parts and Labor (itype_189)

Parts

Qualifier	Part #	Name	Price	Note
Ignition Coil	L3G218100A9U	Ignition Coil	97.74	

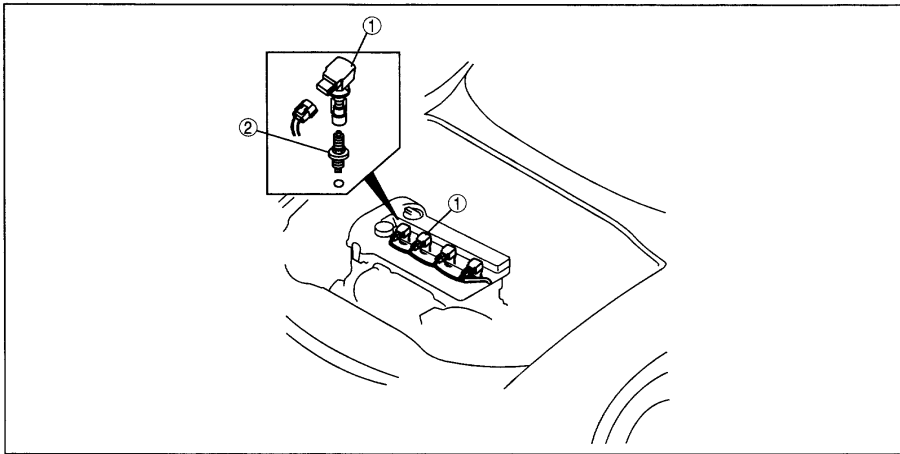
Labor

Operation	Qualifier Path	Skill	Std Hrs	Wty Hrs
Replace	All	B	0.7	0.0
Replace	One	B	0.4	0.0

Components (itype_32)

IGNITION SYSTEM LOCATION INDEX[L,F, L3]

id0118a5800100

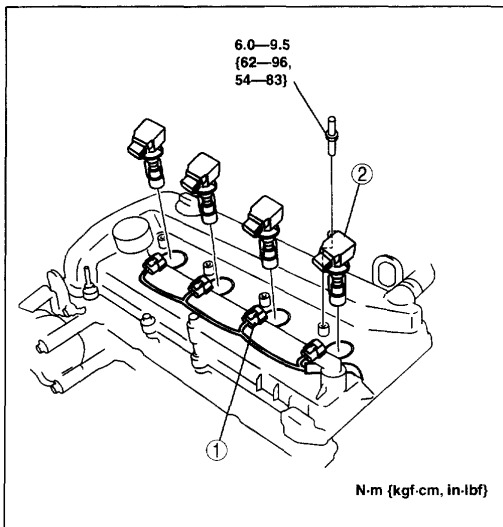


CPJ118ZW002

1	Ignition coil
---	---------------

2	Spark plug
---	------------

Removal and Replacement (itype_401)

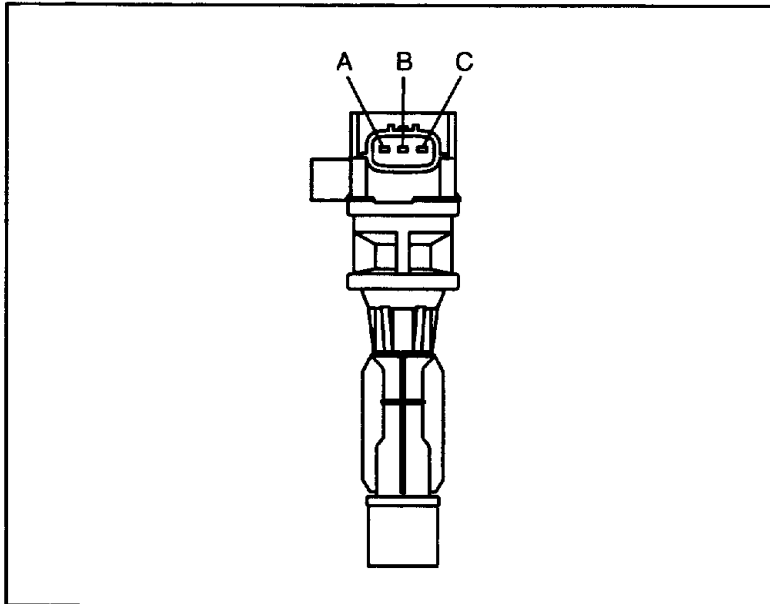


DPE118AW1001

1	Connector
2	Ignition coil

Component Tests and General Diagnostics (itype_383)

Item	Tester Connection Position		Condition
	Positive	Negative	
Terminal	C	A	0 ohm is not normal (∞ ohm is normal)
	A	C	
	C	B	
	B	C	∞ or 0 ohm is not normal (several kilohm is normal)
	A	B	
	B	A	



CPJ118ZWB003