

Component Procedures: Cabin Air Filter / Purifier

Table of Contents

1. Parts and Labor (itype_189)
2. Removal and Replacement (itype_401)
3. All Technical Service Bulletins (itype_100)
4. Repair Tips (itype_110)
5. Component Tests and General Diagnostics (itype_383)

Component Procedures: Cabin Air Filter / Purifier

Parts and Labor (itype_189)

Parts

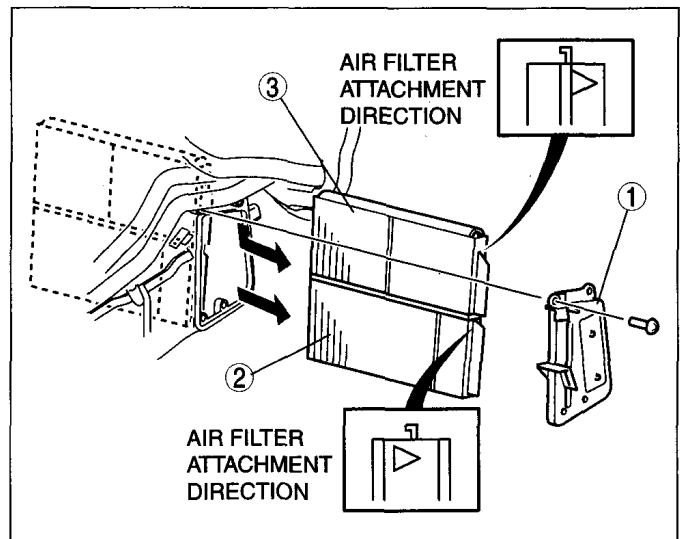
Qualifier	Part #	Name	Price	Note
Cabin Air Filter	BP4K61J6X	Air Filter	42.50	

Labor

Operation	Qualifier Path	Skill	Std Hrs	Wty Hrs
Replace	Cabin Air Filter / Purifier	B	0.6	0.0

Removal and Replacement (itype_401)

1	Cabin air filter cover
2	Cabin air filter (1)
3	Cabin air filter (2)



am3zzw0000066

All Technical Service Bulletins (itype_100)

Tsbs

- A/C - Poor Blower Motor Performance (MTIP-08-03-1, 2008/03/01)

Repair Tips (itype_110)

Tsbs

- A/C - Poor Blower Motor Performance (MTIP-08-03-1, 2008/03/01)

Component Tests and General Diagnostics (itype_383)

CABIN AIR FILTER

INSPECTION

1. Verify that there is no damage, excessive dirt, or abnormal odor on the cabin air filter

- If there is any malfunction, replace the cabin air filter.

NOTE:

The cabin air filter cannot be reused by cleaning it with water or compressed air.