

Component Procedures: Leak Detection Pump

Table of Contents

1. Parts and Labor (itype_189)
2. Removal and Replacement (itype_401)
3. Component Tests and General Diagnostics (itype_383)

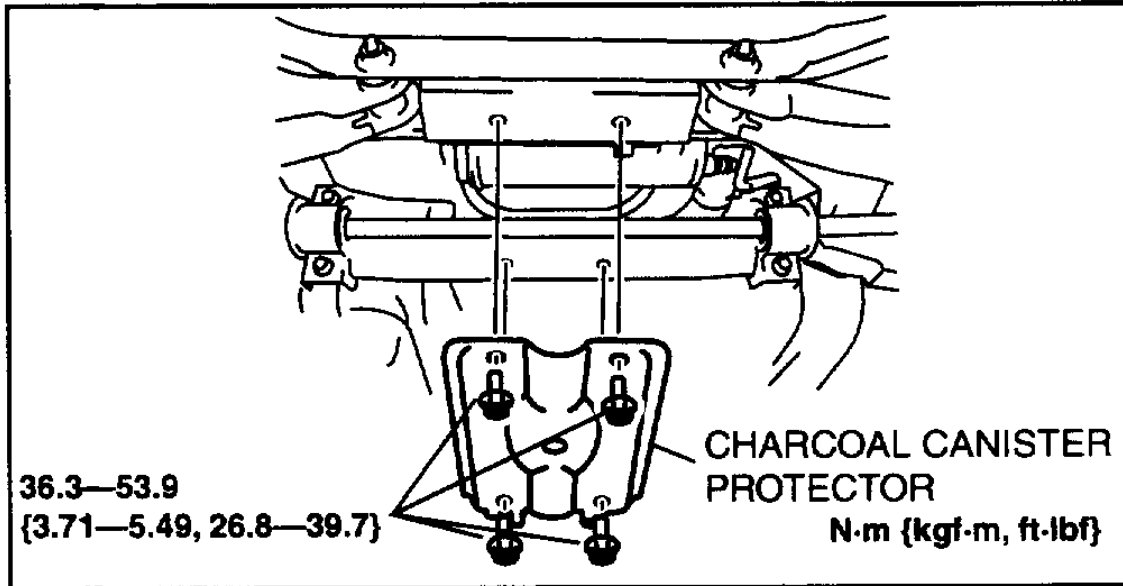
Component Procedures: Leak Detection Pump

Parts and Labor (itype_189)

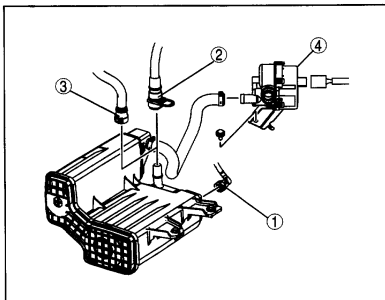
Labor

Operation	Qualifier Path	Skill	Std Hrs	Wty Hrs
Replace	Detection Pump, R&R	B	1.8	1.4

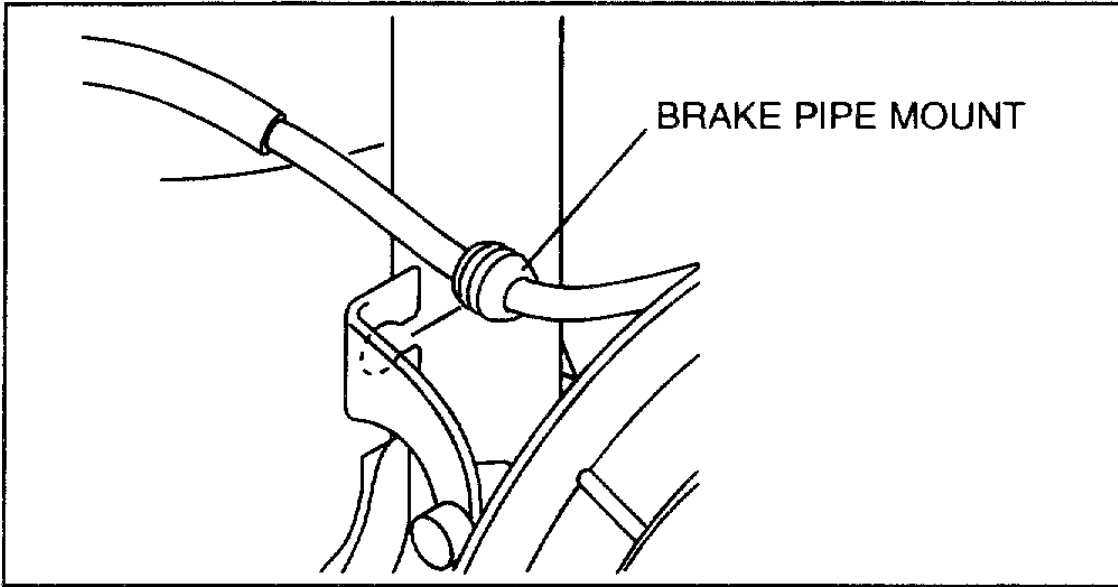
Removal and Replacement (itype_401)



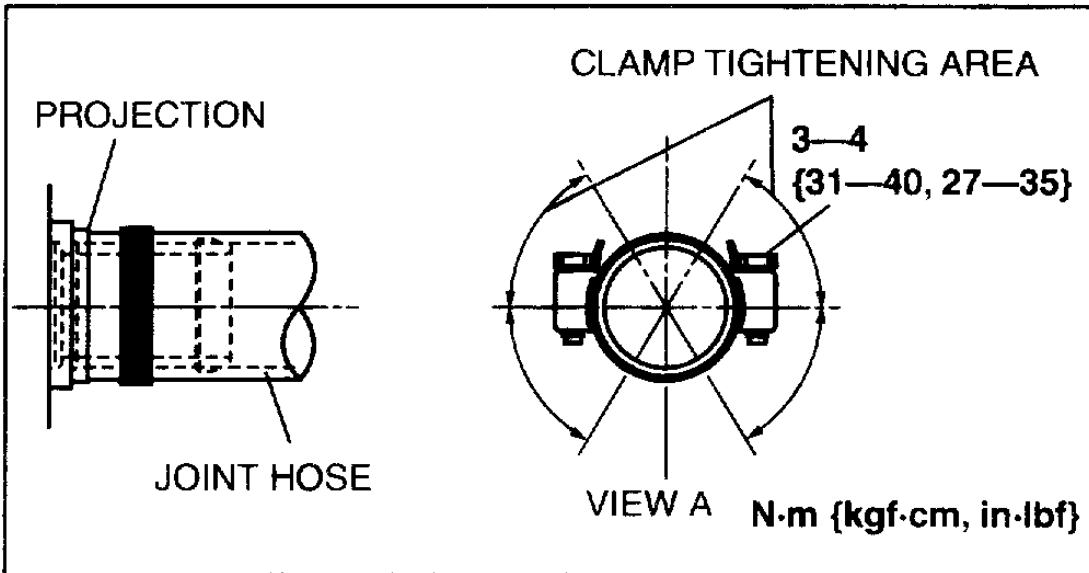
c3u0116w051



1	Quick connector (Type C)
2	Quick connector (Type B) [Except for California regulation emission applicable model]
3	Quick connector (Type D) [For California regulation emission applicable model]
4	EVAP system leak detection pump

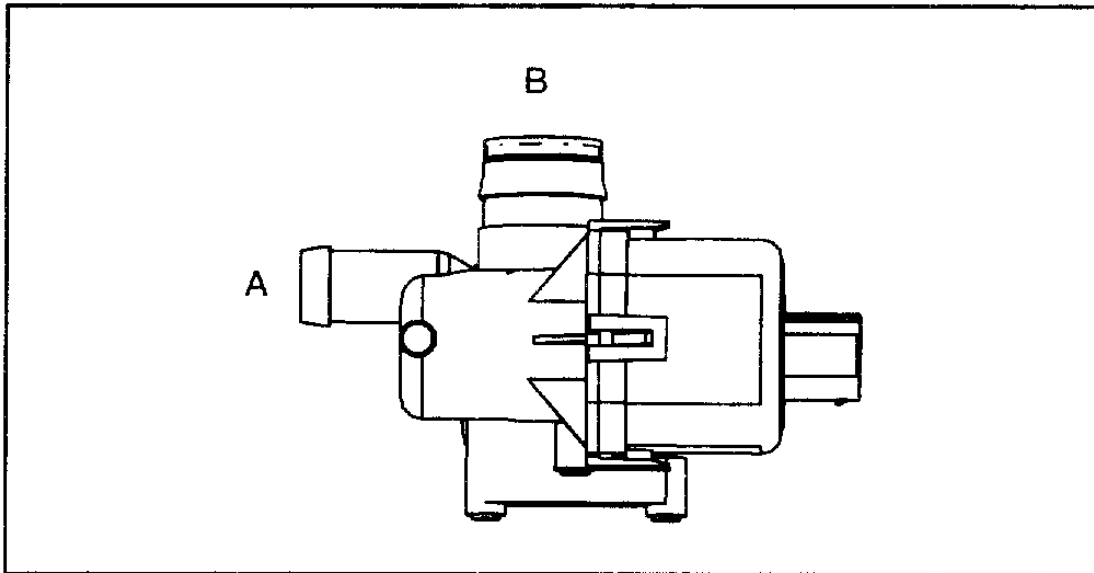


c3u0116w053



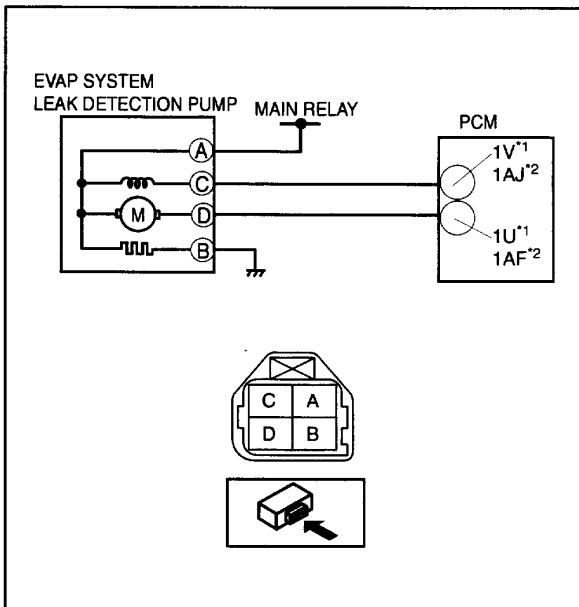
am3uuw0000022

Component Tests and General Diagnostics (itype_383)



c3u0116w071

Terminals	Resistance (ohm)
A—B	20—50
A—C	26.6—32.4
A—D	MAX. 118



e3u116zw6201

PCM
HARNESS SIDE CONNECTOR

1BE	1BA	1AW	1AS	1AO	1AK	1AG	1AC	1Y	1U	1Q	1M	1I	1E	1A
1BF	1BB	1AX	1AT	1AP	1AL	1AH	1AD	1Z	1V	1R	1N	1J	1F	1B
1BG	1BC	1AY	1AU	1AQ	1AM	1AI	1AE	1AA	1W	1S	1O	1K	1G	1C
1BH	1BD	1AZ	1AV	1AR	1AN	1AJ	1AF	1AB	1X	1T	1P	1L	1H	1D



e3u146zw6893