

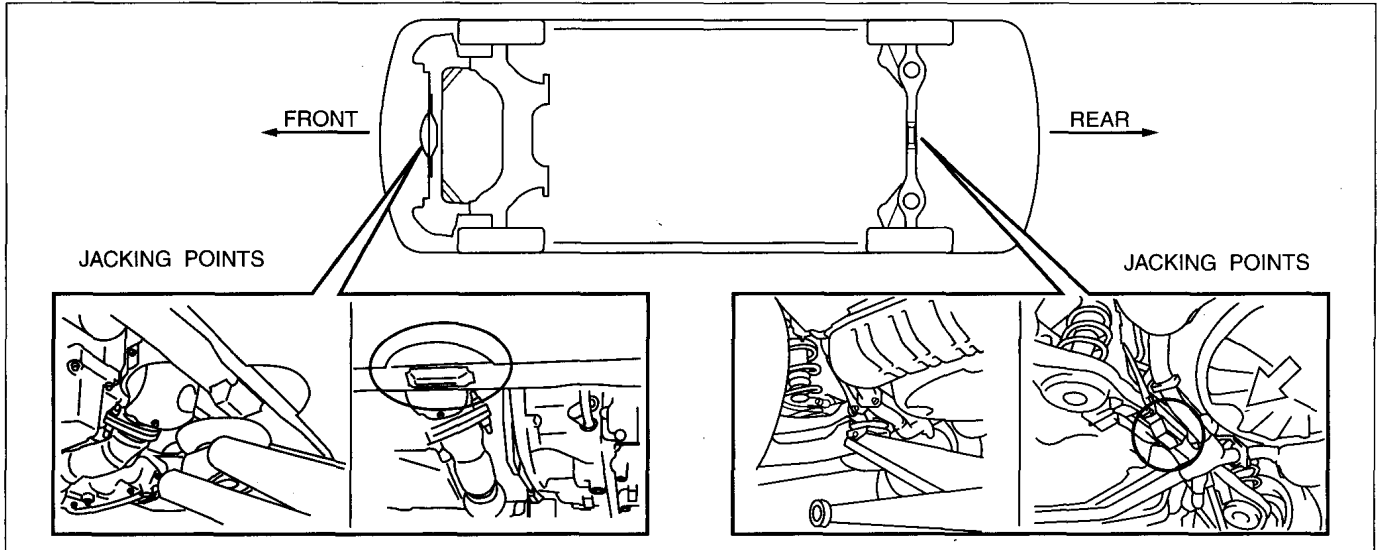
Component Procedures: Vehicle Lifting

Table of Contents

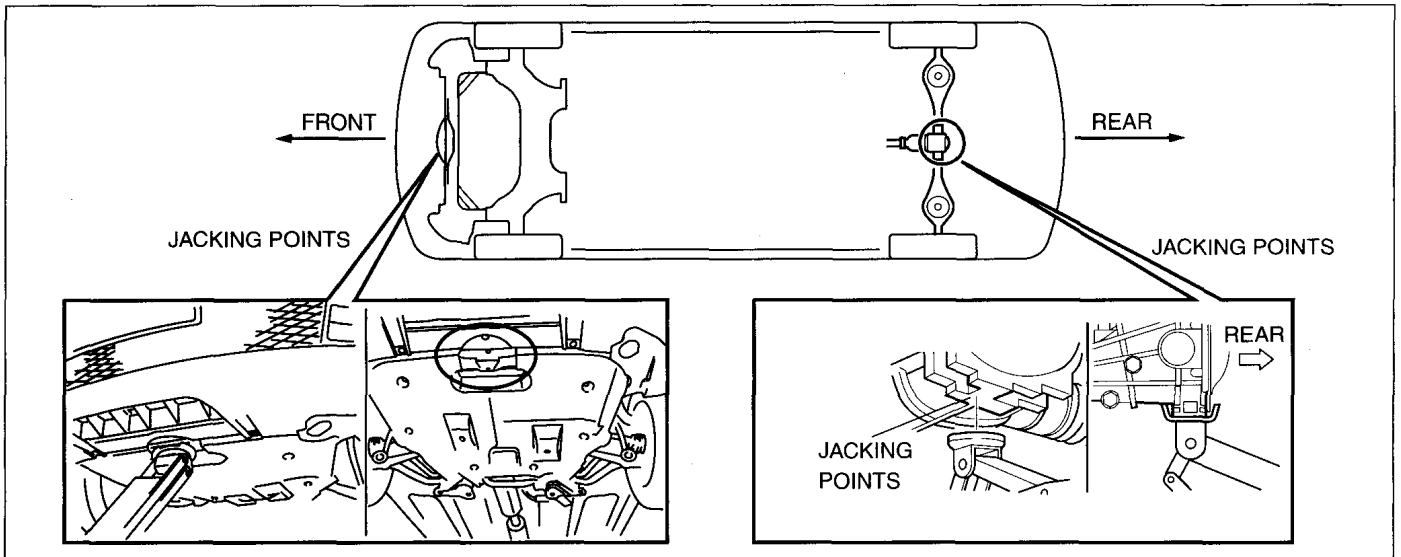
1. Procedures (itype_376)

Component Procedures: Vehicle Lifting

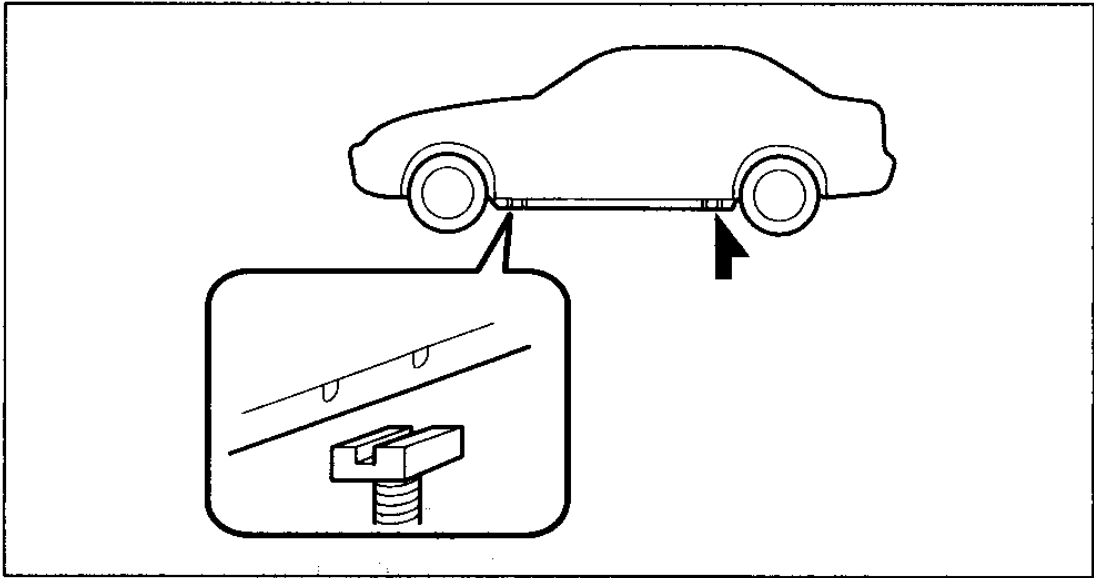
Procedures (itype_376)



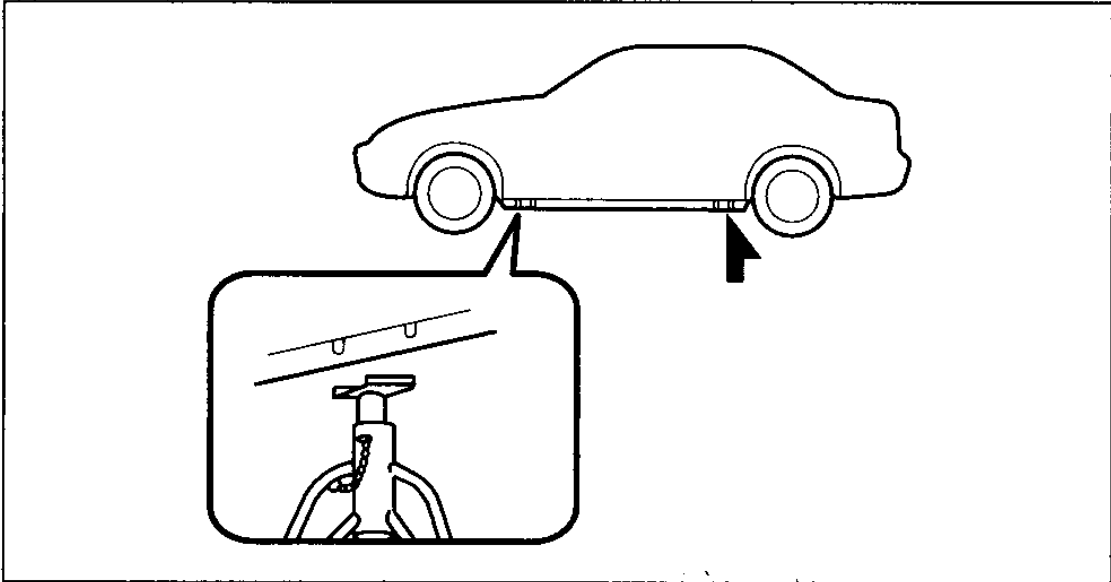
am6uuw000139



d6e000zw4012



am6uuw0000139



am6uuw0000139