

Component Procedures: Compressor Clutch Relay

Table of Contents

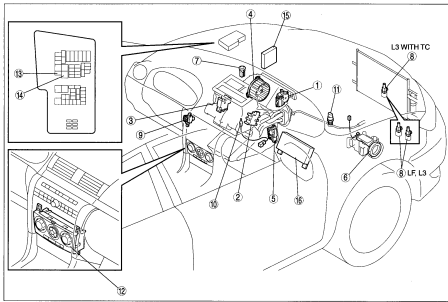
1. Components (itype_32)
2. Component Tests and General Diagnostics (itype_383)

Component Procedures: Compressor Clutch Relay

Components (itype_32)

HVAC CONTROL SYSTEM LOCATION INDEX (FULL-AUTO AIR CONDITIONER)

05740000061



an33a000000

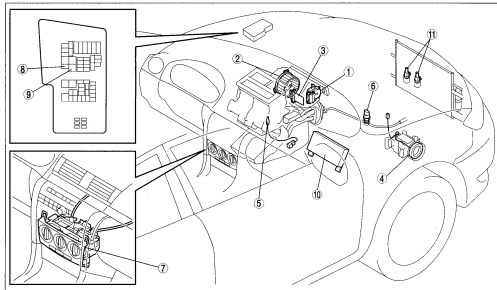
1	Air intake actuator	6	Magnetic clutch
2	Air mix actuator	7	Solar radiation sensor
3	Airflow mode actuator	8	Ambient temperature sensor
4	Blower motor	9	Passenger compartment temperature sensor
5	Power MOS FET	10	Evaporator temperature sensor

11	Refrigerant pressure switch
12	Climate control unit
13	A/C relay

14	Blower relay
15	PCM
16	PJB

HVAC CONTROL SYSTEM LOCATION INDEX [MANUAL AIR CONDITIONER]

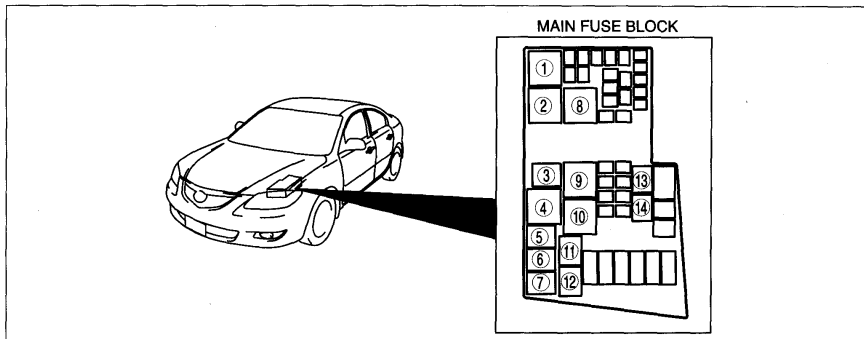
id740000362



1	Air intake actuator	6	Refrigerant pressure switch
2	Blower motor	7	Climate control unit
3	Resistor	8	A/C relay
4	Magnetic clutch	9	Blower relay
5	Evaporator temperature sensor	10	PJB
		11	Ambient temperature sensor

RELAY LOCATION

id092100800600



c3u0921w001

1	Main relay
2	Starter relay
3	A/C relay
4	Blower relay (L3 with TC)
5	Injector driver relay (L3 with TC) AT main relay (FS5A-EL)
6	Drive-by-wire relay
7	Horn relay
8	Rear washer relay (L3 with TC)

9	DRL relay (L3 with TC) Blower relay (except L3 with TC)
10	Headlight cleaner relay (L3 with TC) Rear washer relay (except L3 with TC)
11	Rear window defroster relay
12	Front fog light relay
13	Fuel pump relay No.2 (L3 with TC) DRL relay (except L3 with TC) Headlight cleaner relay (except L3 with TC)
14	Fuel pump relay

Component Tests and General Diagnostics (itype_383)

RELAY INSPECTION

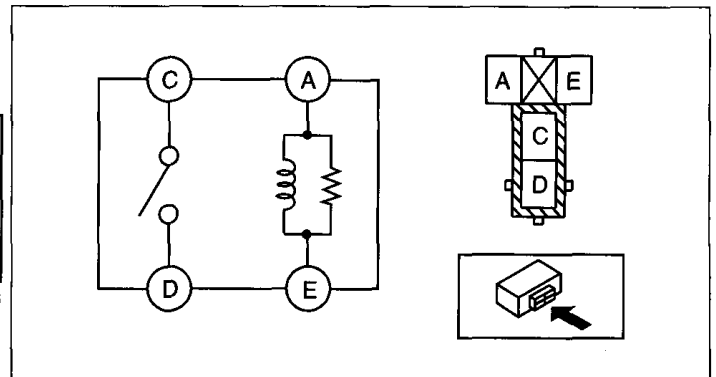
Relay type

Terminal type	Part name
4 terminals	Type A <ul style="list-style-type: none"> • A/C relay • AT main relay • Injector driver relay • Drive-by-wire relay • Horn relay • Rear window defroster relay • Front fog light relay • Headlight cleaner relay (except L3 with TC) • DRL relay (except L3 with TC) • Fuel pump relay • Fuel pump relay No.2
	Type B <ul style="list-style-type: none"> • Main relay • Starter relay • Blower relay • Rear washer relay • DRL relay (L3 with TC) • Headlight cleaner relay (L3 with TC)

○—○ : Continuity

Step	Terminal			
	A	E	C	D
1	○—○			
2	B+	GND	○—○	

am8rrw00000328



○—○ : Continuity

Step	Terminal			
	B	D	A	E
1	○—○			
2	B+	GND	○—○	

am8rrw00000330

