

Component Procedures: Radio/Stereo Noise Filter

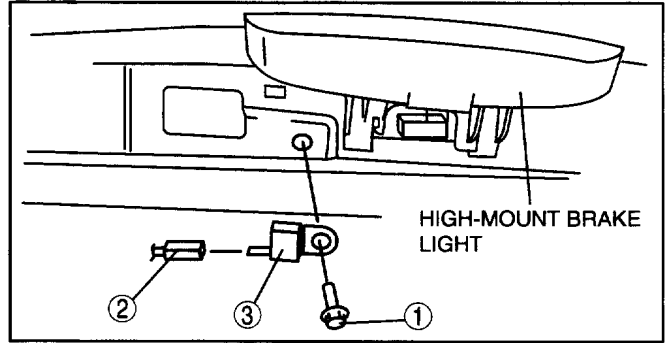
Table of Contents

1. Removal and Replacement (itype_401)
2. All Technical Service Bulletins (itype_100)
3. Customer Interest Bulletins (itype_109)
4. Noise (itype_156)

Component Procedures: Radio/Stereo Noise Filter

Removal and Replacement (itype_401)

1	Bolt
2	Connector
3	Condenser



c3u0920w114

All Technical Service Bulletins (itype_100)

Tsbs

- Audio System - Speaker Noise When Using Auxiliary Device (0903009, 2009/06/24)

Customer Interest Bulletins (itype_109)

Tsbs

- Audio System - Speaker Noise When Using Auxiliary Device (0903009, 2009/06/24)

Noise (itype_156)

Tsbs

- Audio System - Speaker Noise When Using Auxiliary Device (0903009, 2009/06/24)