

Component Procedures: Solar Sensor

Table of Contents

1. Parts and Labor (itype_189)
2. Components (itype_32)
3. Removal and Replacement (itype_401)
4. Component Tests and General Diagnostics (itype_383)

Component Procedures: Solar Sensor

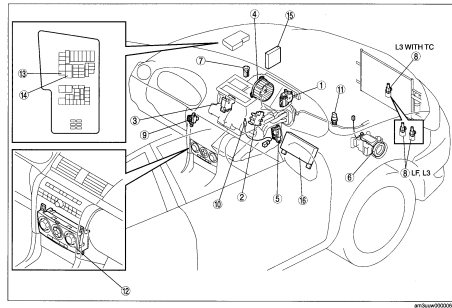
Parts and Labor (itype_189)

Parts

Qualifier	Part #	Name	Price	Note
Sunload Sensor	GJ6E61751B	Sunload Sensor	51.08	

Components (itype_32)

HVAC CONTROL SYSTEM LOCATION INDEX [FULL-AUTO AIR CONDITIONER]



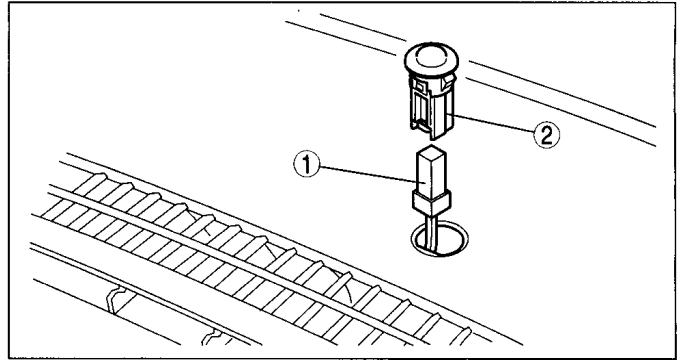
1	Air intake actuator	6	Magnetic clutch
2	Air mix actuator	7	Solar radiation sensor
3	Airflow mode actuator	8	Ambient temperature sensor
4	Blower motor	9	Passenger compartment temperature sensor
5	Power MOS FET	10	Evaporator temperature sensor

11	Refrigerant pressure switch
12	Climate control unit
13	A/C relay

14	Blower relay
15	PCM
16	PJB

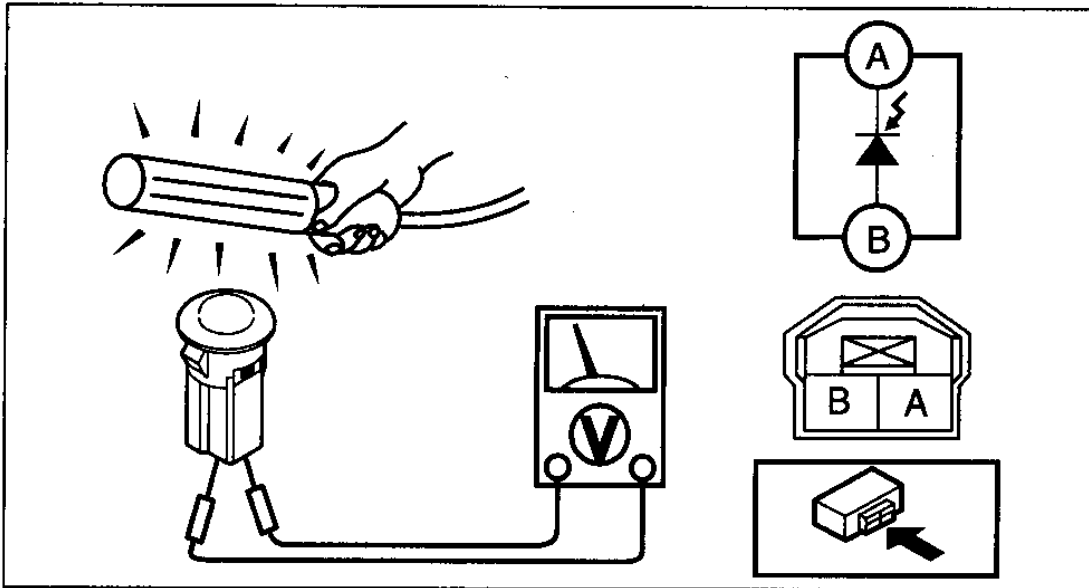
Removal and Replacement (itype_401)

1	Solar radiation sensor connector
2	Solar radiation sensor



B3E0740W035

Component Tests and General Diagnostics (itype_383)



acxuuw00002540

○—○: Continuity

Test condition	Voltage (V)
Sensor subject to fluorescent light or natural sunlight	0.1—0.45
Sensor covered by a cloth	0.1 or less

acxuuw00002541