

Component Procedures: Child Seat Tether Attachment

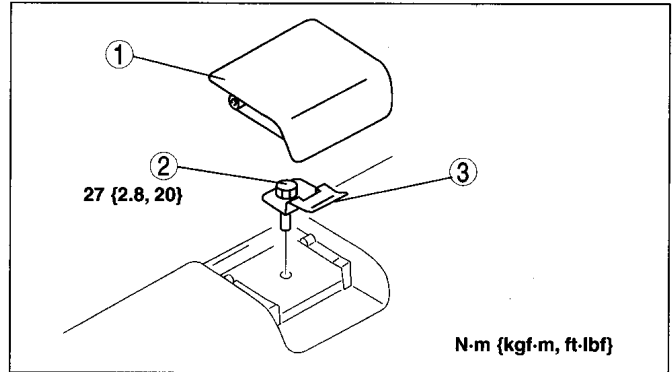
Table of Contents

1. Removal and Replacement (itype_401)

Component Procedures: Child Seat Tether Attachment

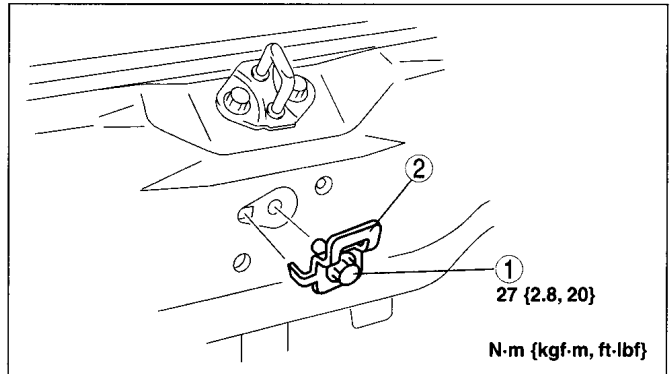
Removal and Replacement (itype_401)

1	Cover
2	Bolt
3	Child-restraint seat anchor



B3E0811W504

1	Bolt
2	Child-restraint seat anchor



am3uuw0000135