

Component Procedures: Side Air Bag

Table of Contents

1. Parts and Labor (itype_189)
2. Components (itype_32)
3. Side Air Bag Module (Article 1385742)
4. Curtain Air Bag Module (Article 1385745)

Component Procedures: Side Air Bag

Parts and Labor (itype_189)

Parts

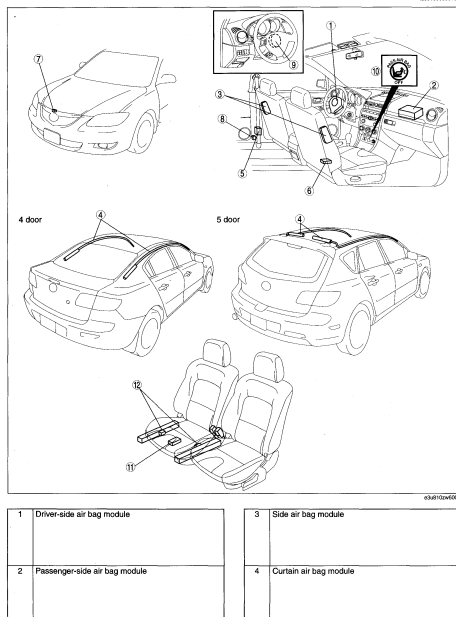
| Qualifier | Part # | Name | Price | Note |
|-------------------------------|------------|-------------------------|--------|------|
| Side Impact Inflator Module ? | BAN657KA0 | Side Impact Inflator M? | 479.58 | |
| Side Impact Inflator Module ? | BAN657KB0 | Side Impact Inflator M? | 479.58 | |
| Side Impact Inflator Module ? | BAN757KB0A | Side Impact Inflator M? | 434.78 | |

Labor

| Operation | Qualifier Path | Skill | Std Hrs | Wty Hrs |
|-----------|--|-------|---------|---------|
| Replace | Side Impact Inflator Module > With Seat Senso? | B | 1.4 | 1.0 |
| Replace | Side Impact Inflator Module > With Seat Senso? | B | 1.8 | 1.4 |
| Replace | Side Impact Inflator Module > Without Seat Se? | B | 0.9 | 0.7 |
| Replace | Side Impact Inflator Module > Without Seat Se? | B | 1.5 | 1.1 |

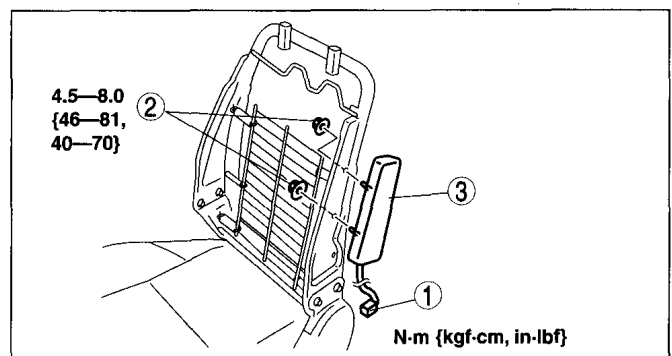
Components (itype_32)

LOCATION INDEX

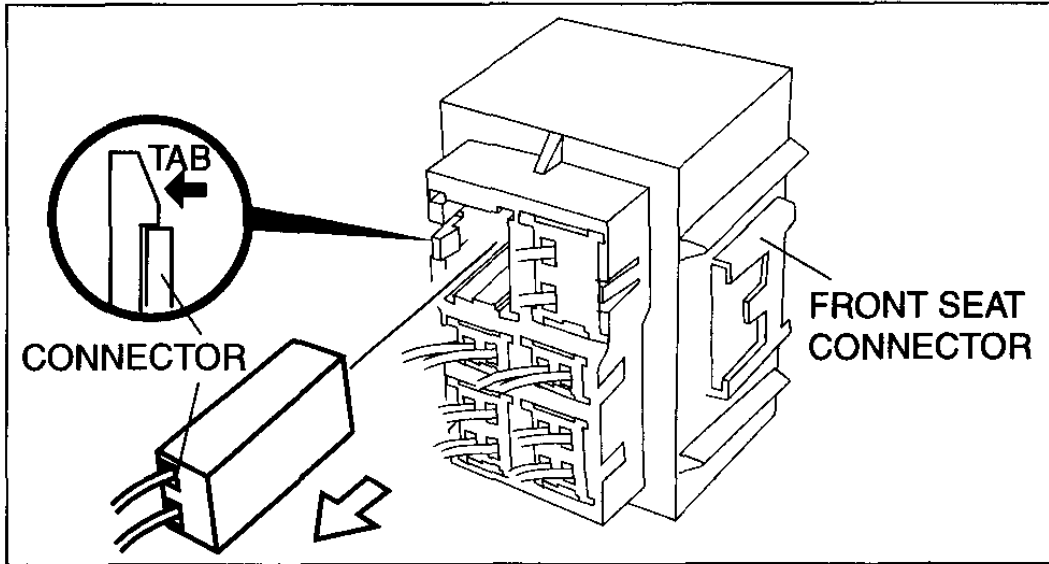


Side Air Bag Module (Article 1385742)

| | |
|---|---------------------|
| 1 | Connector |
| 2 | Nut |
| 3 | Side air bag module |

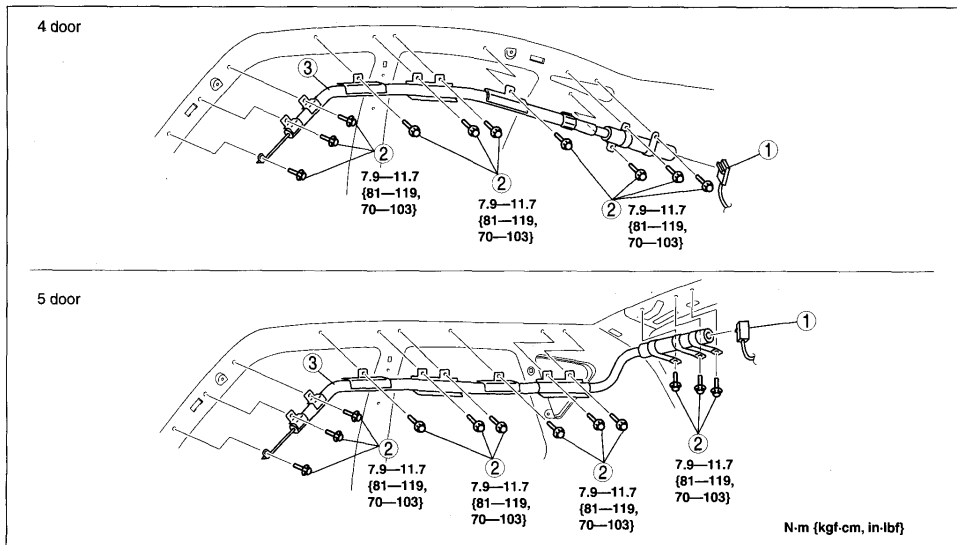


am3uuw000081



am3uuw000081

Curtain Air Bag Module (Article 1385745)



| | |
|---|-----------|
| 1 | Connector |
| 2 | Bolt |

| | |
|---|------------------------|
| 3 | Curtain air bag module |
|---|------------------------|