

Component Procedures: Throttle Body

Table of Contents

1. Parts and Labor (itype_189)
2. Components (itype_32)
3. All Technical Service Bulletins (itype_100)
4. Customer Interest Bulletins (itype_109)
5. Component Tests and General Diagnostics (itype_383)
6. Driveability (itype_131)

Component Procedures: Throttle Body

Parts and Labor (itype_189)

Parts

Qualifier	Part #	Name	Price	Note
Throttle Body	L3R413640	Throttle Body	852.20	

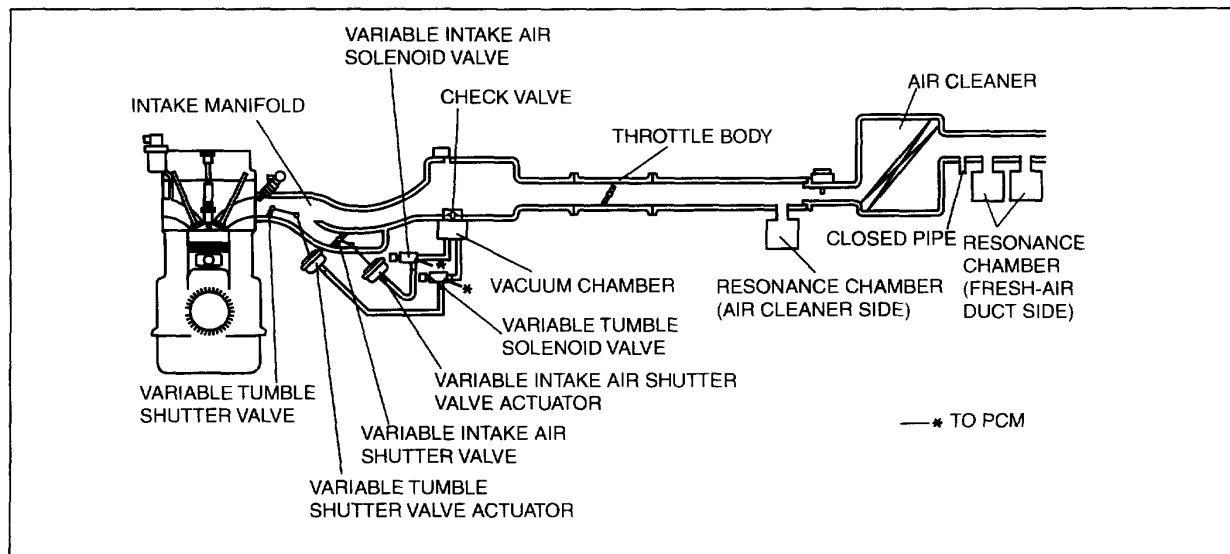
Labor

Operation	Qualifier Path	Skill	Std Hrs	Wty Hrs
Replace	Throttle Body, R&R	B	1.4	1.1

Components (itype_32)

INTAKE AIR SYSTEM DIAGRAM[LF, L3]

id0113a5804000



E3U113ZW6002

All Technical Service Bulletins (itype_100)

Tsbs

- Engine - Unstable Idle/Engine Stalling (0100709, 2009/02/11)

Customer Interest Bulletins (itype_109)

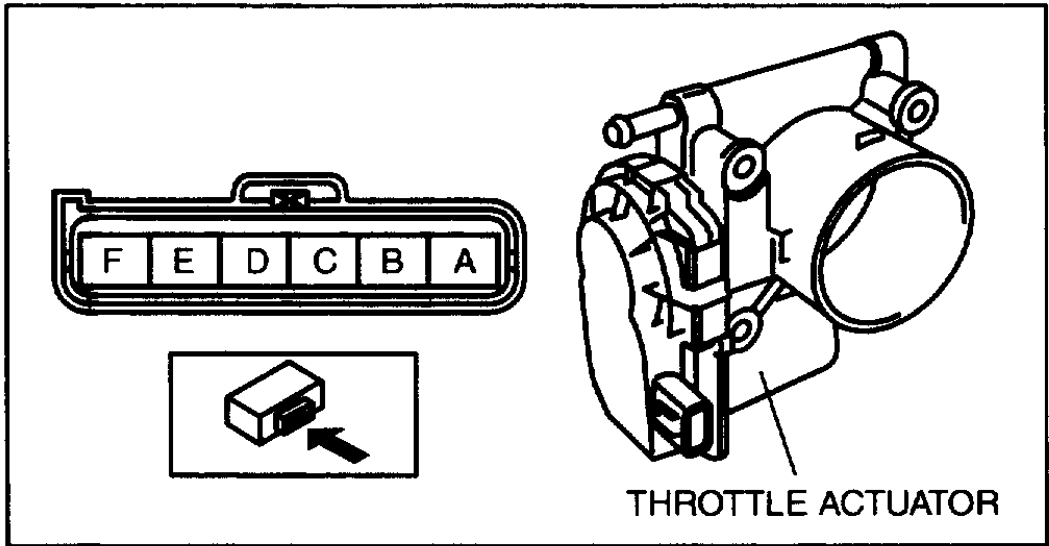
Tsbs

- Engine - Unstable Idle/Engine Stalling (0100709, 2009/02/11)

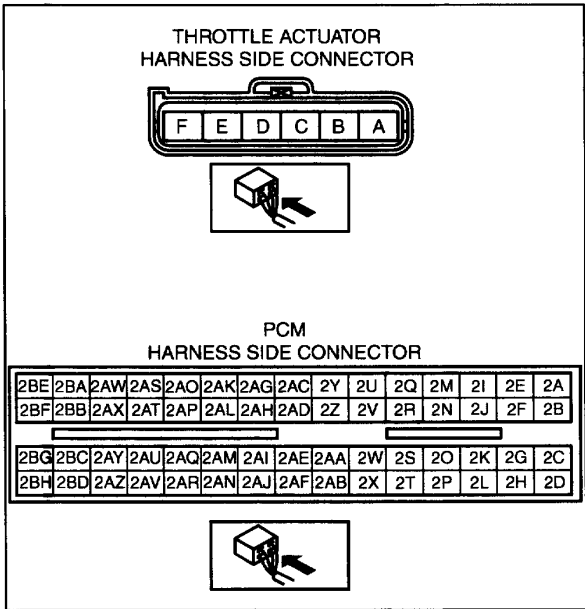
Component Tests and General Diagnostics (itype_383)

Specification

Ambient temperature (°C {°F})	Resistance (ohm)
Approx. 20 {68}	0.3—100



E3U113ZW6006



E3U113ZW6005

Driveability (itype_131)

Tsbs
 - Engine - Unstable Idle/Engine Stalling (0100709, 2009/02/11)