

Component Procedures: Fuel Tank One Way Valve

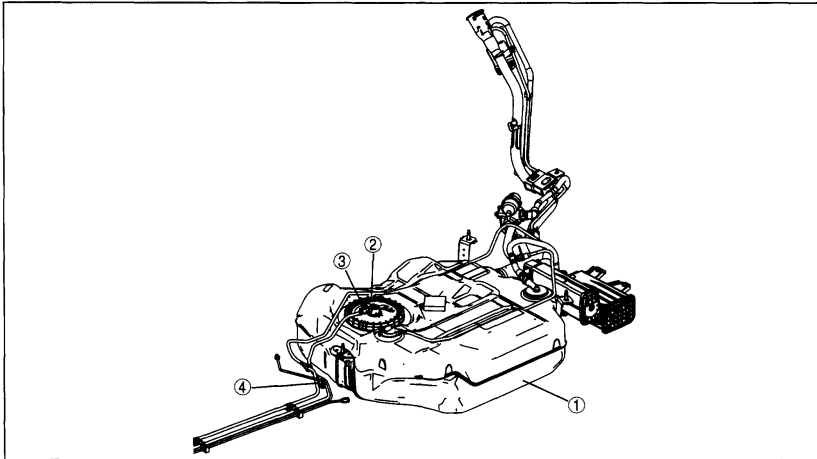
Table of Contents

1. Components (itype_32)
2. Non-return Valve Inspection (Article 1370097)

Component Procedures: Fuel Tank One Way Valve

Components (itype_32)

Except for California emission regulation applicable model

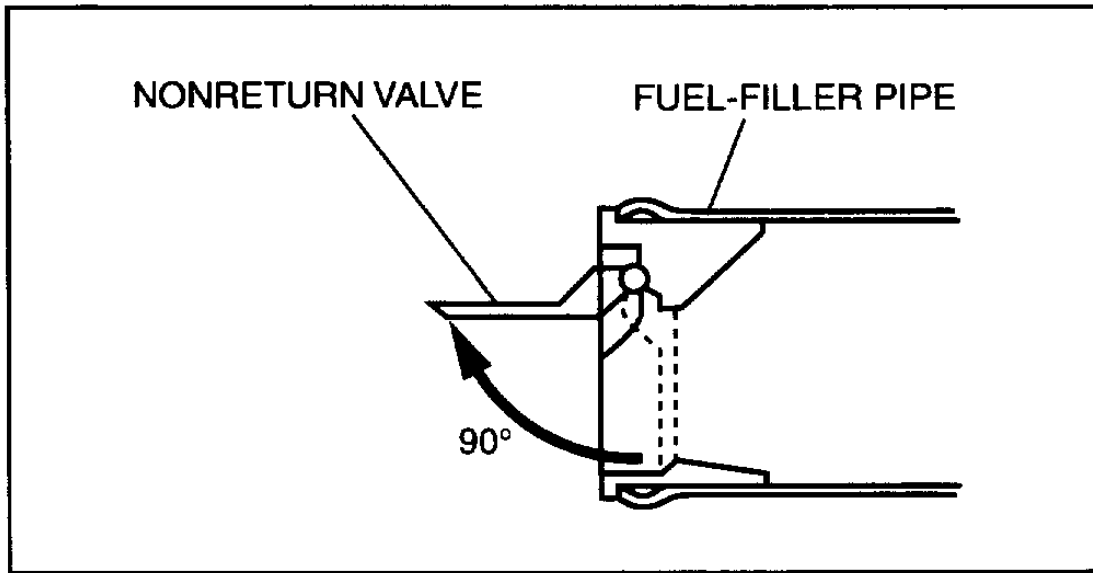


c3u0114w010

| | |
|---|-----------|
| 1 | Fuel tank |
|---|-----------|

| | |
|---|----------------|
| 2 | Fuel pump unit |
|---|----------------|

Non-return Valve Inspection (Article 1370097)



B3E0114W011