

Component Procedures: Yaw Rate Sensor

Table of Contents

1. Parts and Labor (itype_189)
2. Dynamic Stability Control (Article 1367164)
3. Combined Sensor Removal/Installation (Article 1365759)
4. Combined Sensor Inspection (Article 1361610)
5. Combined Sensor Initialization Procedure (Article 1361611)

Component Procedures: Yaw Rate Sensor

Parts and Labor (itype_189)

Parts

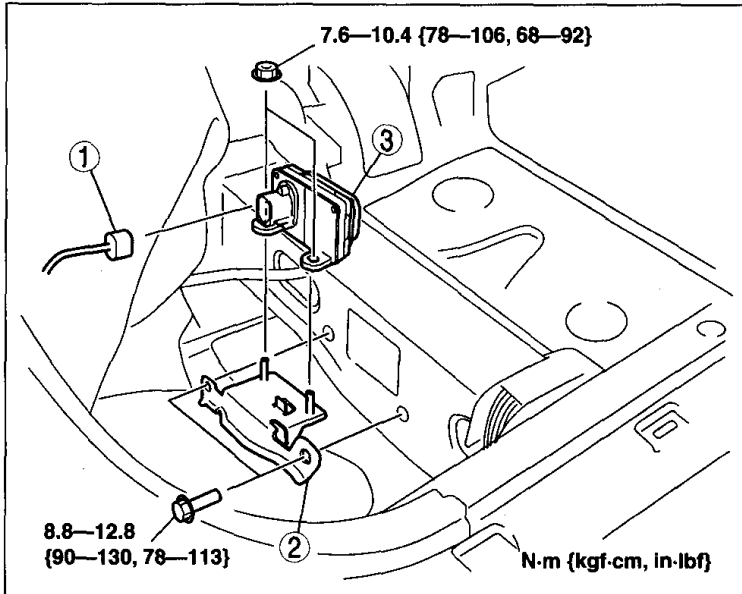
Qualifier	Part #	Name	Price	Note
Yaw Rate Sensor	BP4L437Y0C	Yaw Rate Sensor	801.17	

Dynamic Stability Control (Article 1367164)

Non Standards

- DSC Location Index (1367168)

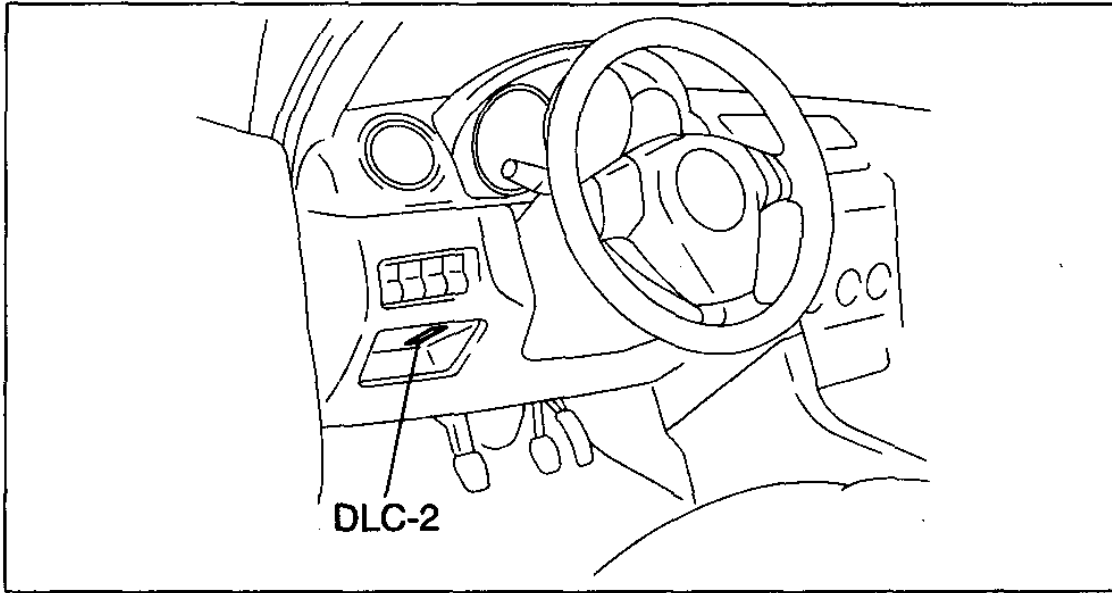
Combined Sensor Removal/Installation (Article 1365759)



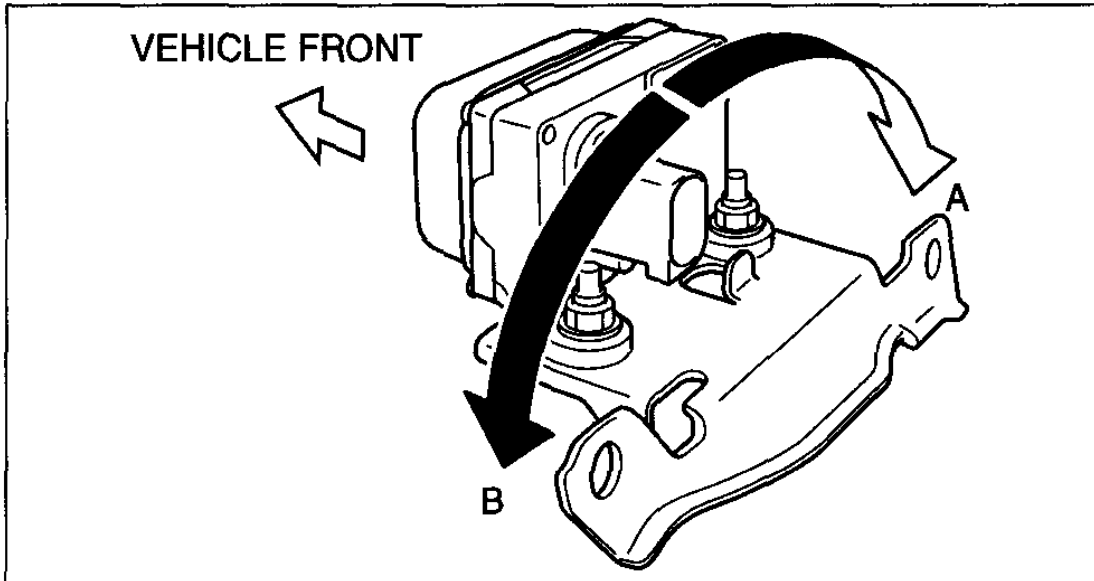
am3zzw0000264

1	Combined sensor connector
2	Bracket
3	Combined sensor

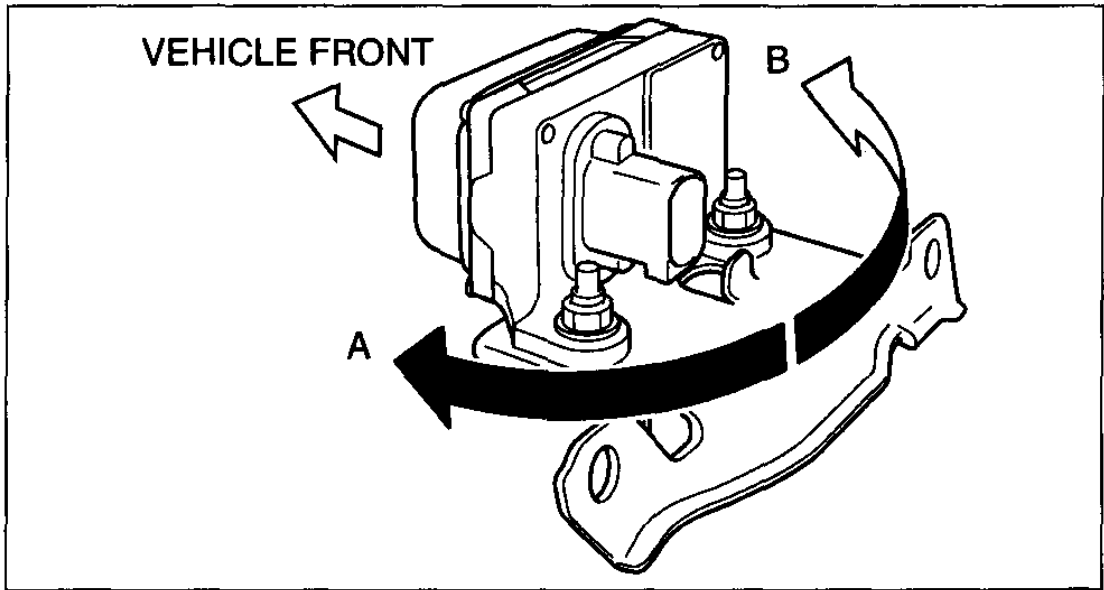
Combined Sensor Inspection (Article 1361610)



am3zzw0000164

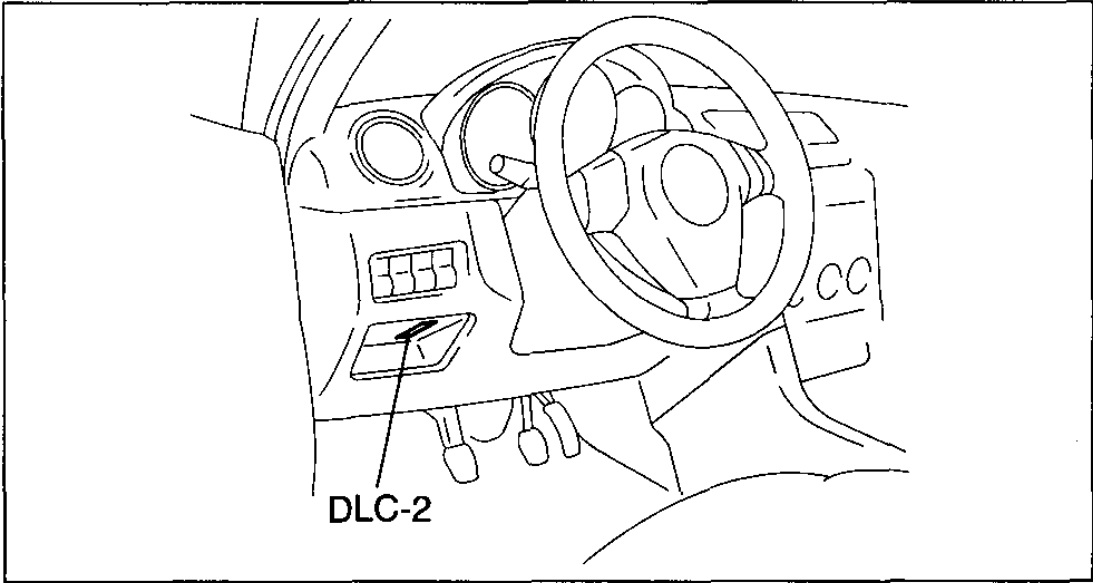


am3zzw0000164



d3e415zsi002

Combined Sensor Initialization Procedure (Article 1361611)



am3zzw0000164