

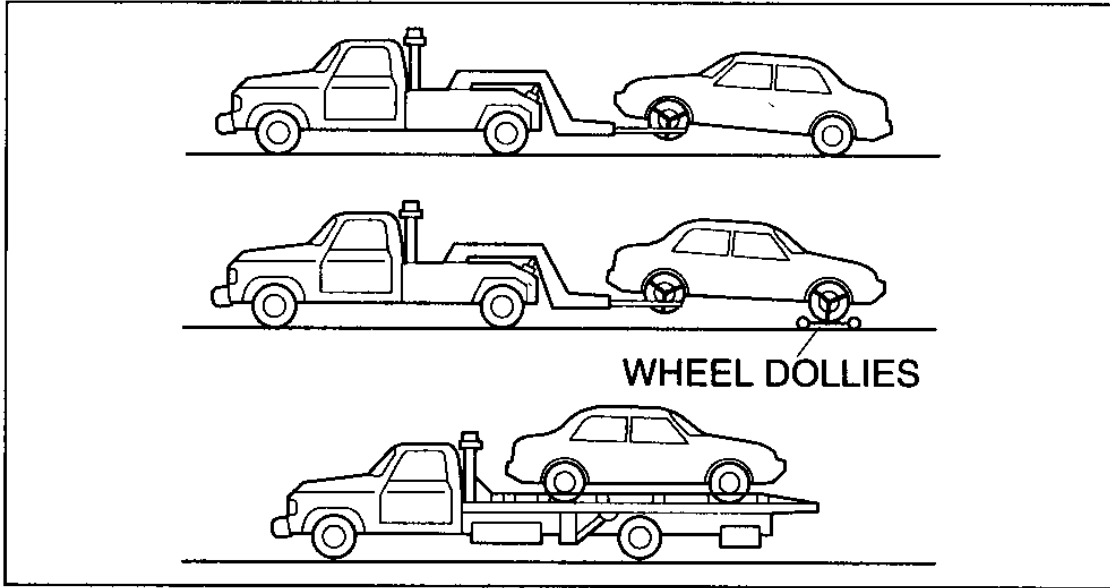
Component Procedures: Towing Information

Table of Contents

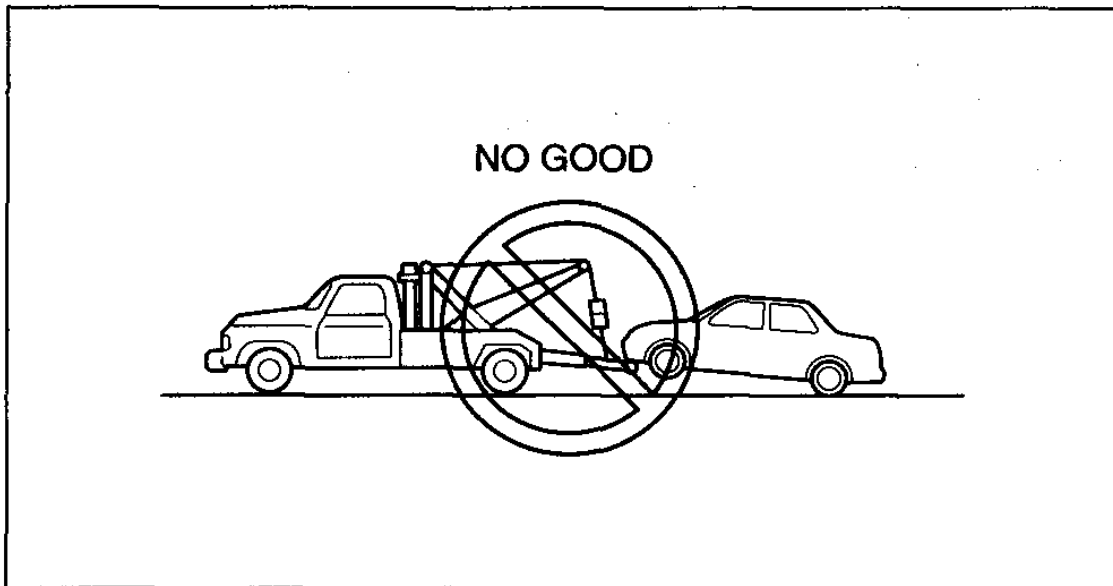
1. Procedures (itype_376)

Component Procedures: Towing Information

Procedures (itype_376)

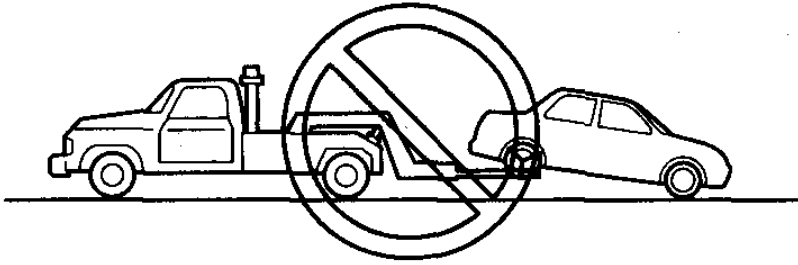


am6uuw0000025



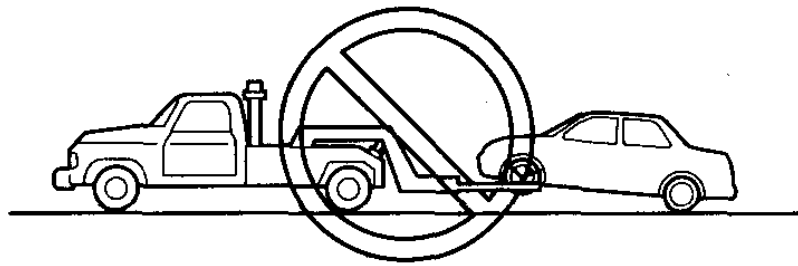
am6uuw0000025

NO GOOD

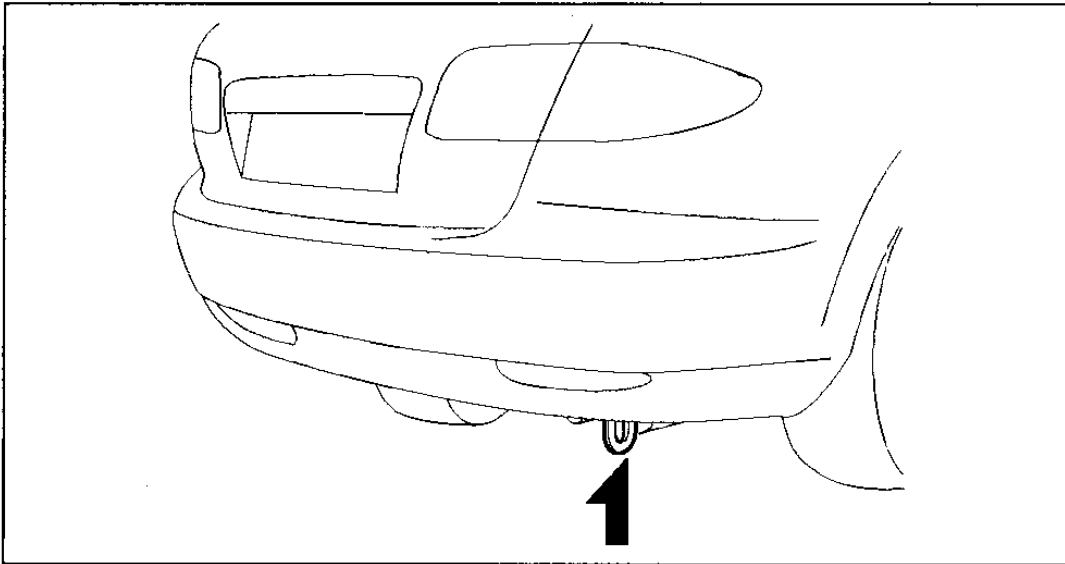


am6uuw0000025

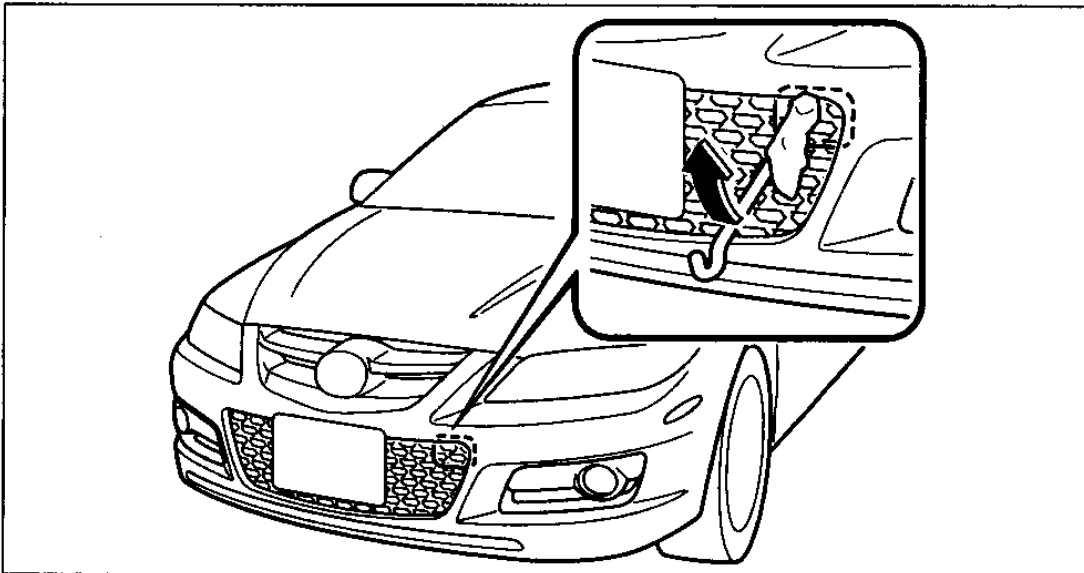
NO GOOD



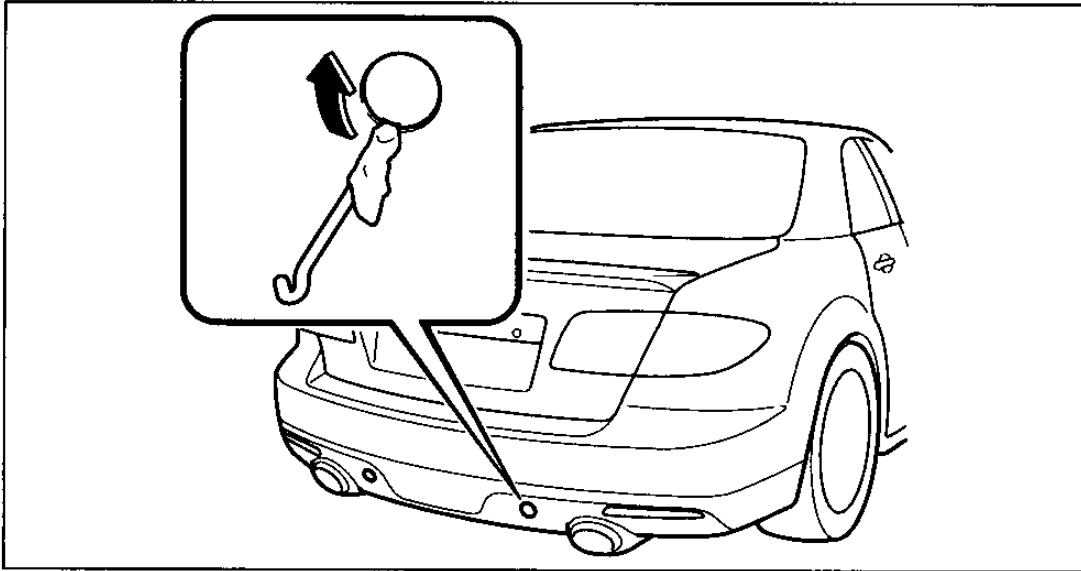
am6uuw0000025



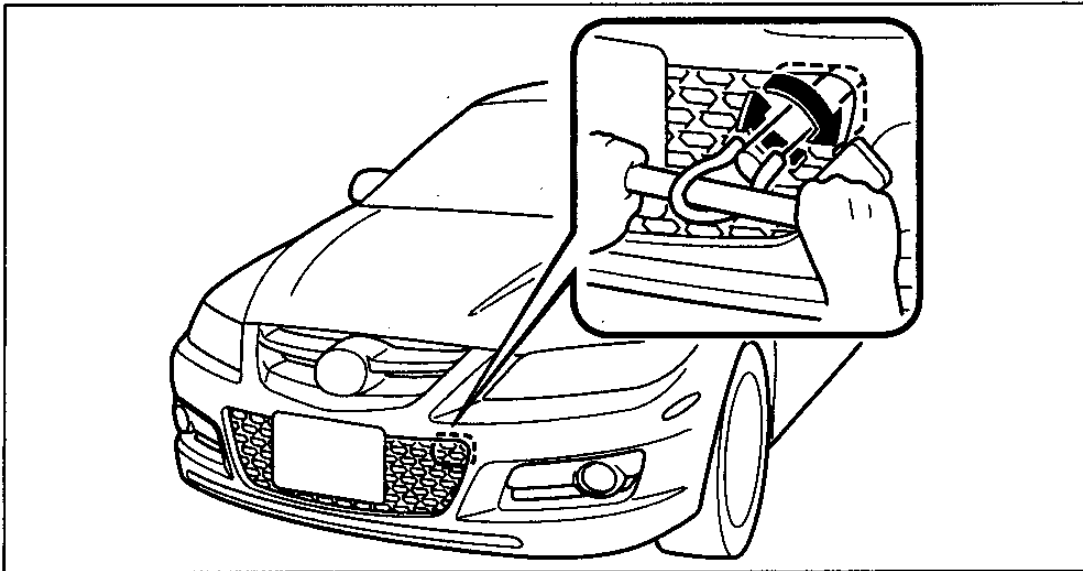
am6uuw0000025



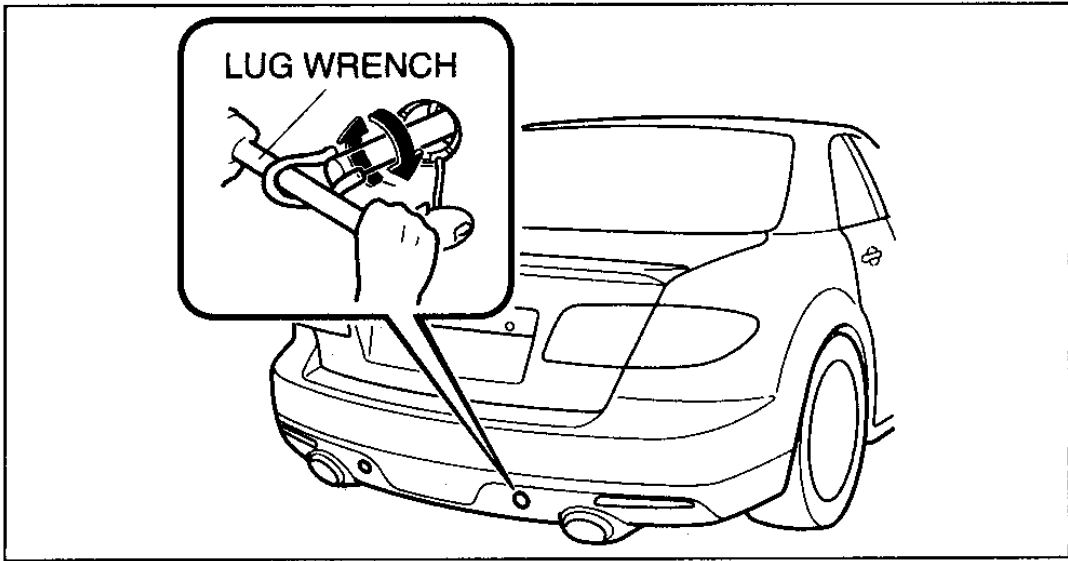
am6uuw0000025



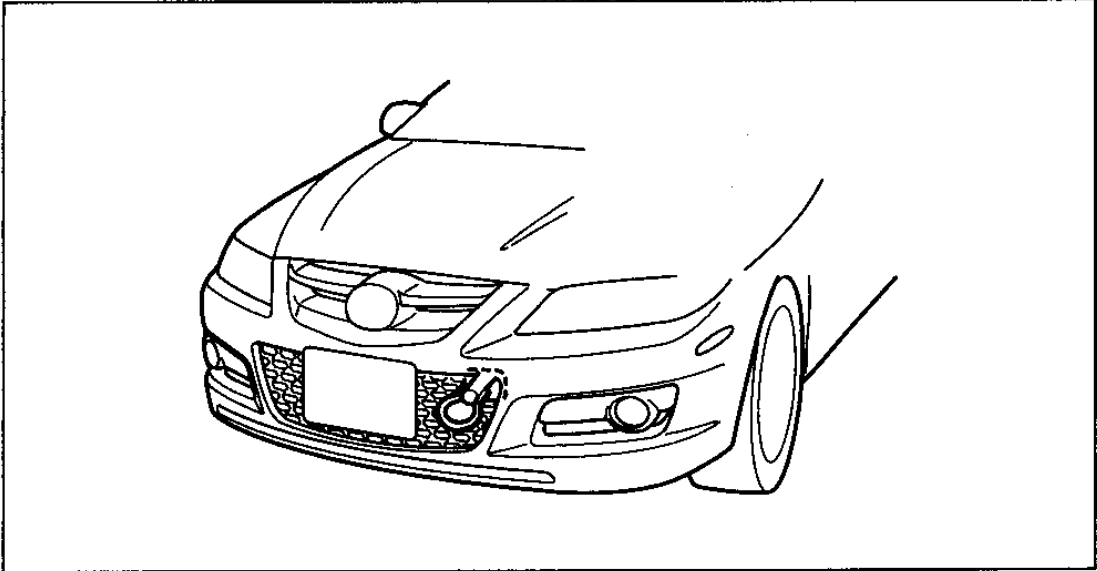
am6uuw0000025



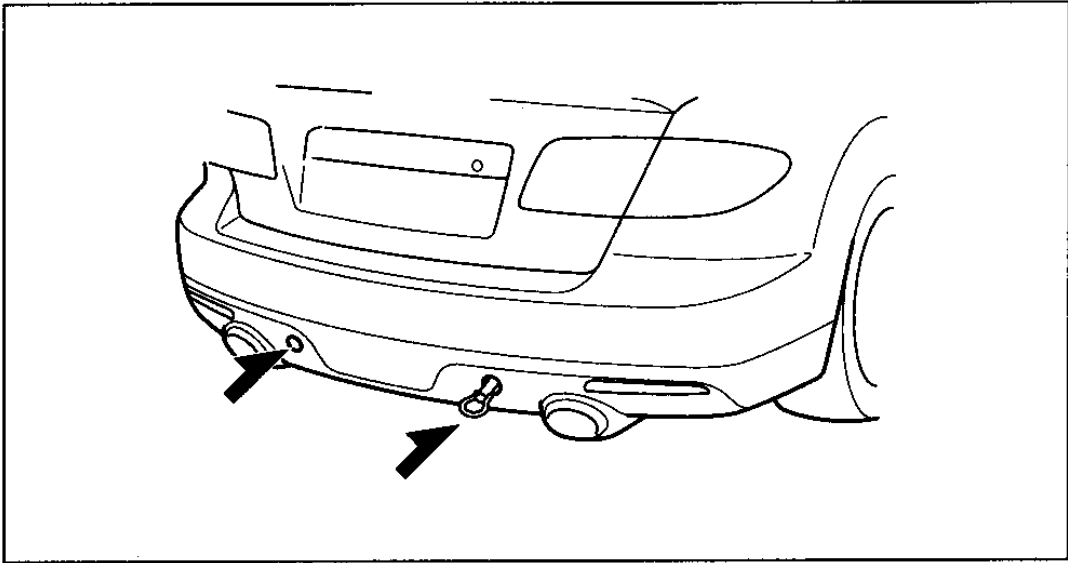
am6uuw0000025



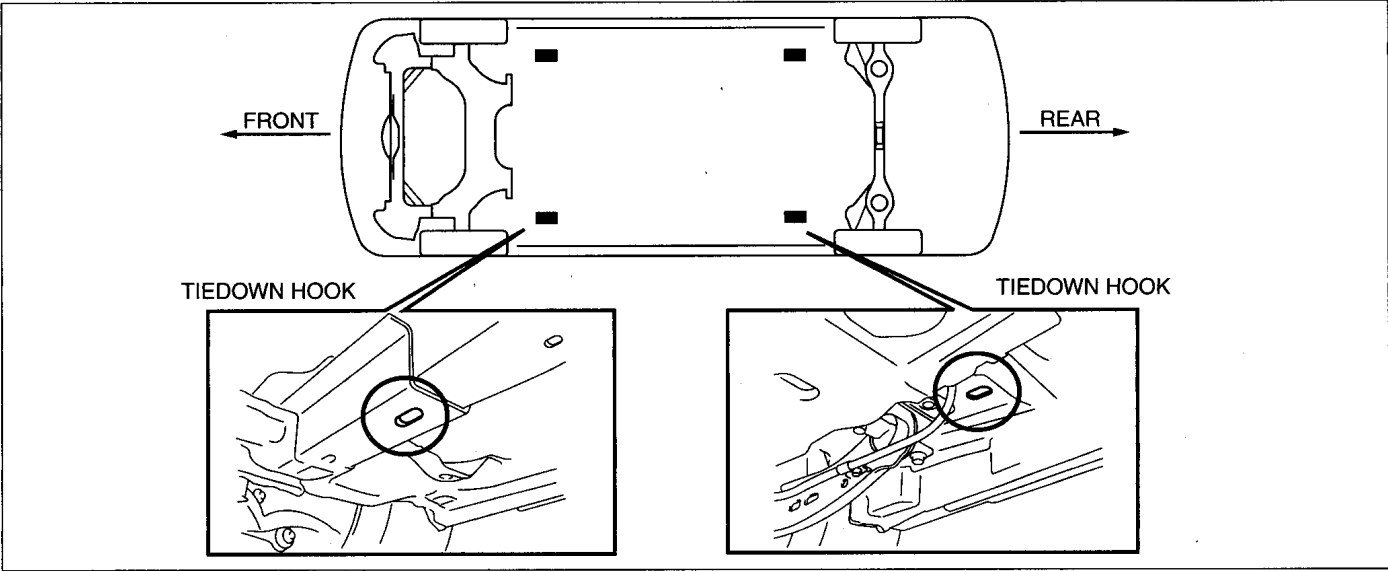
am6uuw000025



am6uuw000026



am6uuw000026



am6uuw000029