

# **Component Procedures: Headlamp Alignment Switch**

## **Table of Contents**

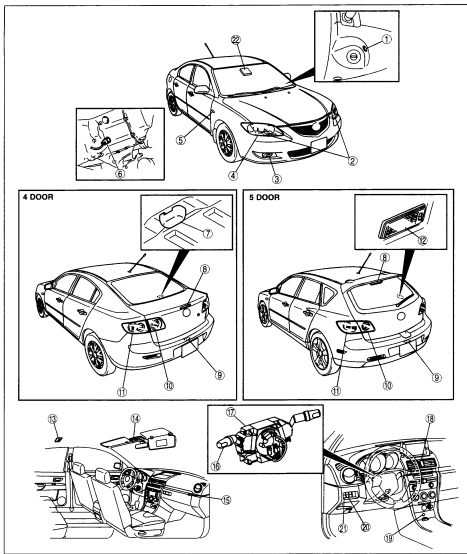
1. Components (itype\_32)
2. Removal and Replacement (itype\_401)
3. Component Tests and General Diagnostics (itype\_383)

# Component Procedures: Headlamp Alignment Switch

## Components (itype\_32)

LIGHTING SYSTEMS LOCATION INDEX

4019-80000100



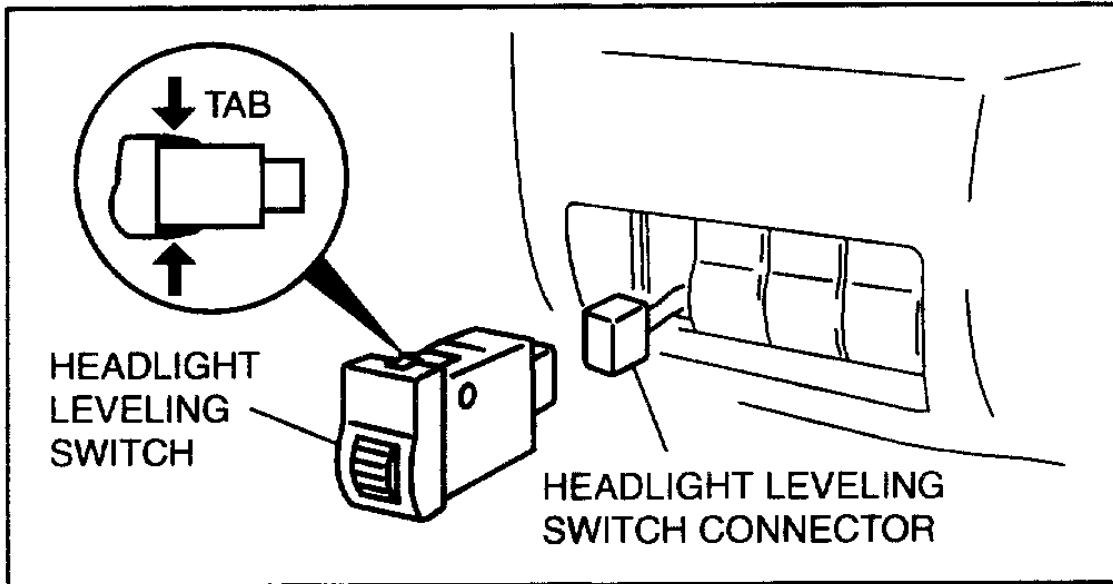
1 Ignition key illumination

2 Discharge headlight control module

3	Front fog light
4	Front combination light
5	Front side turn light
6	Back-up light switch (MTX)
7	Trunk compartment light
8	High-mount brake light
9	License plate light
10	Inboard light
11	Rear combination light

12	Cargo compartment light
13	Interior light
14	Map light
15	Glove compartment light
16	Light switch
17	Combination switch
18	Hazard warning switch
19	Ashtray illumination
20	Panel light control switch
21	Headlight leveling switch
22	Light sensor

## Removal and Replacement (itype\_401)



B3E0918W134

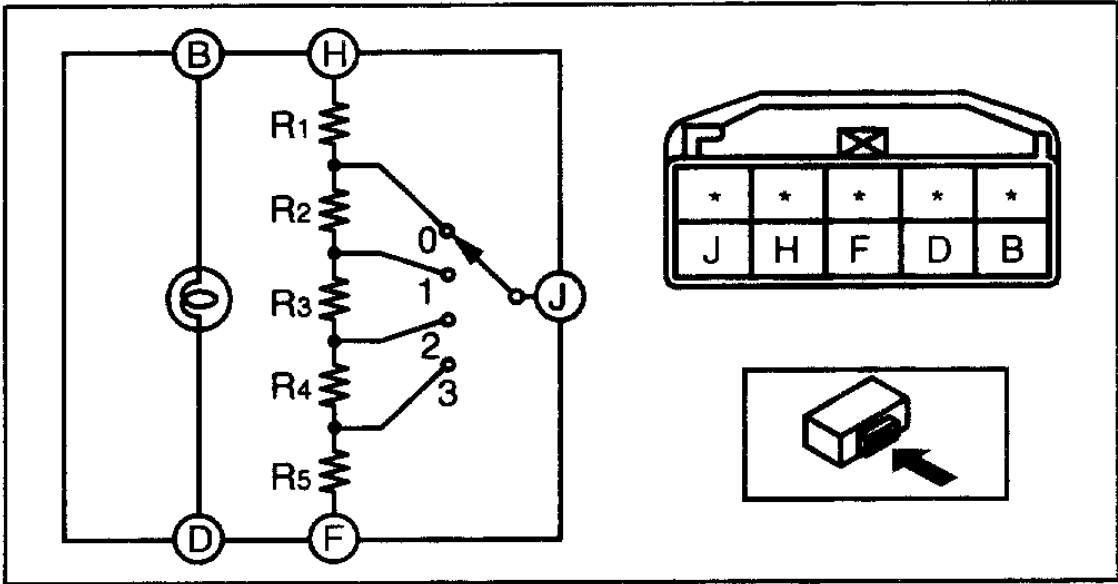
Component Tests and General Diagnostics (itype\_383)

○—W—○ : Resistance    ○—(V)—○ : Bulb

Switch position	Terminal				
	B	D	H	J	F
0	○—(V)—○	○—(V)—○	○—R <sub>1</sub> —○	○—R <sub>2</sub> —R <sub>3</sub> —R <sub>4</sub> —R <sub>5</sub> —○	○—R <sub>2</sub> —R <sub>3</sub> —R <sub>4</sub> —R <sub>5</sub> —○
1	○—(V)—○	○—(V)—○	○—R <sub>1</sub> —○	○—R <sub>2</sub> —○	○—R <sub>3</sub> —R <sub>4</sub> —R <sub>5</sub> —○
2	○—(V)—○	○—(V)—○	○—R <sub>1</sub> —R <sub>2</sub> —○	○—R <sub>3</sub> —○	○—R <sub>4</sub> —R <sub>5</sub> —○
3	○—(V)—○	○—(V)—○	○—R <sub>1</sub> —R <sub>2</sub> —R <sub>3</sub> —R <sub>4</sub> —○	○—R <sub>1</sub> —R <sub>2</sub> —R <sub>3</sub> —R <sub>4</sub> —○	○—R <sub>5</sub> —○

R<sub>1</sub> : 715 ohms    R<sub>2</sub> : 715 ohms    R<sub>3</sub> : 261 ohms  
 R<sub>4</sub> : 604 ohms    R<sub>5</sub> : 715 ohms

B3E0918W136



b3e0918w135