

Component Procedures: Evaporative Emission Control Canister

Table of Contents

1. Parts and Labor (itype_189)
2. Removal and Replacement (itype_401)
3. Component Tests and General Diagnostics (itype_383)

Component Procedures: Evaporative Emission Control Canister

Parts and Labor (itype_189)

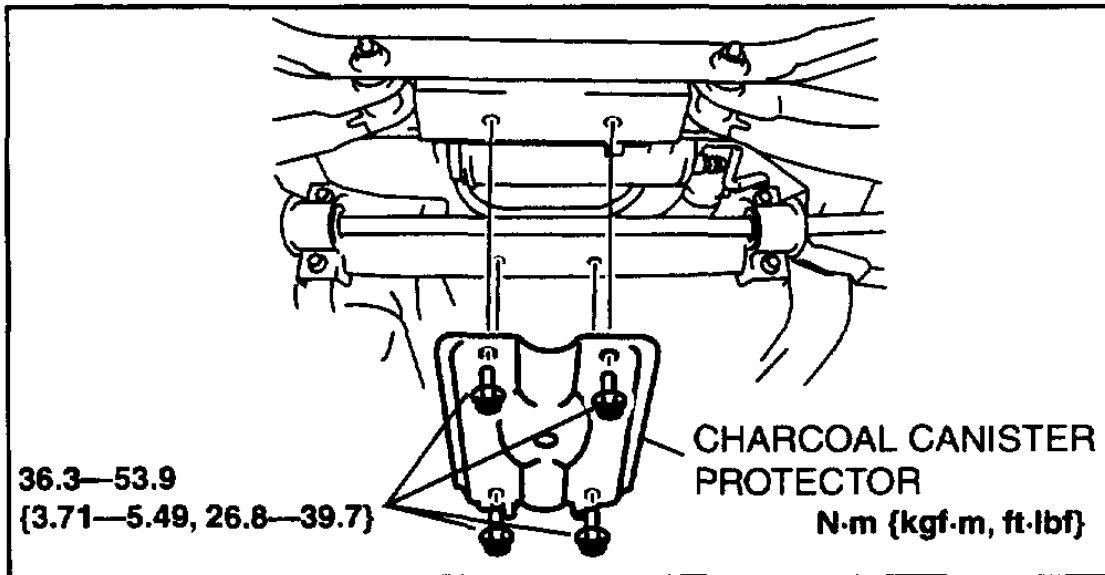
Parts

Qualifier	Part #	Name	Price	Note
Vapor Canister > Federal	LF6613970C	Vapor Canister	249.07	
Vapor Canister > California	LF6713970C	Vapor Canister	315.78	

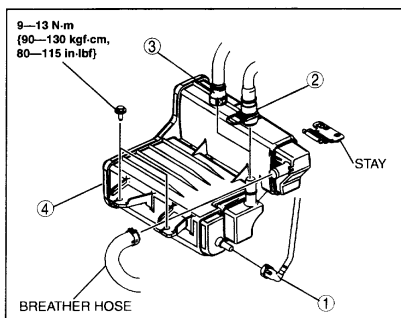
Labor

Operation	Qualifier Path	Skill	Std Hrs	Wty Hrs
Replace	Vapor Canister, R&R	B	1.8	1.4

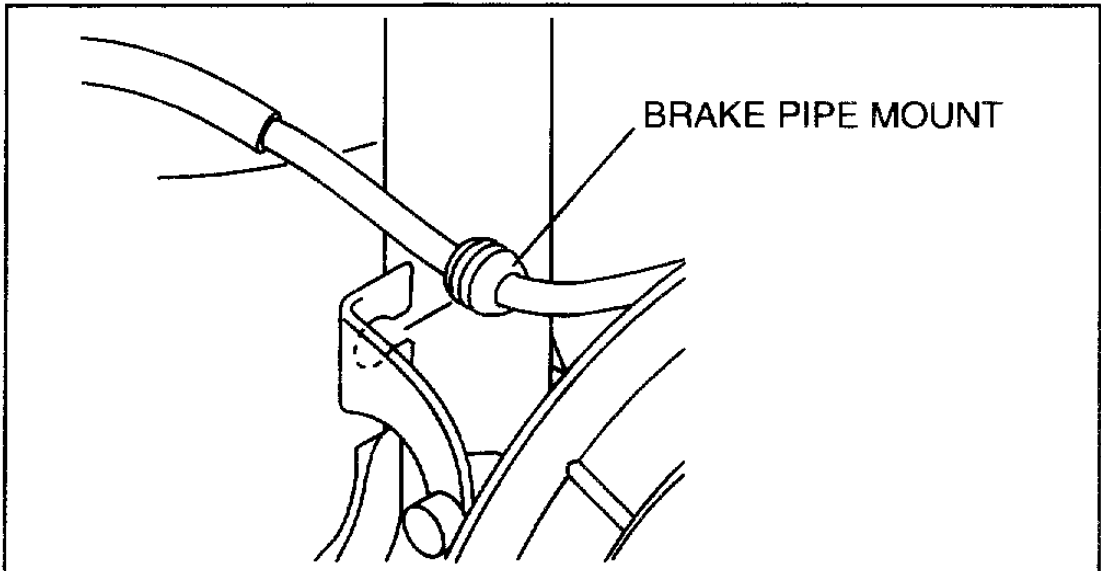
Removal and Replacement (itype_401)



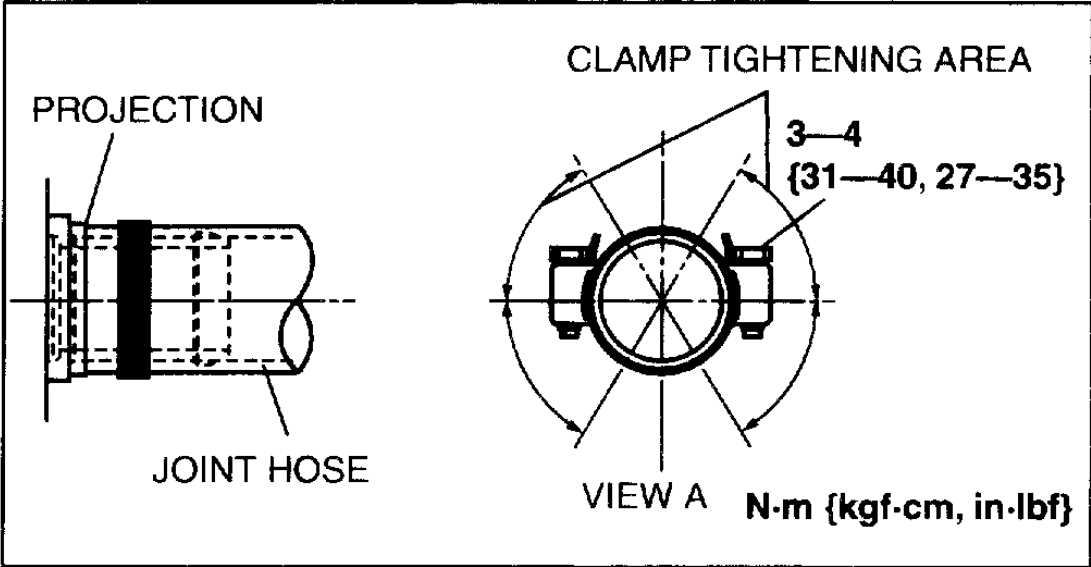
c3u0116w051



1	Quick connector (Type C)
2	Quick connector (Type B) [Except for California regulation emission applicable model]
3	Quick connector (Type D) [For California regulation emission applicable model]
4	Charcoal canister

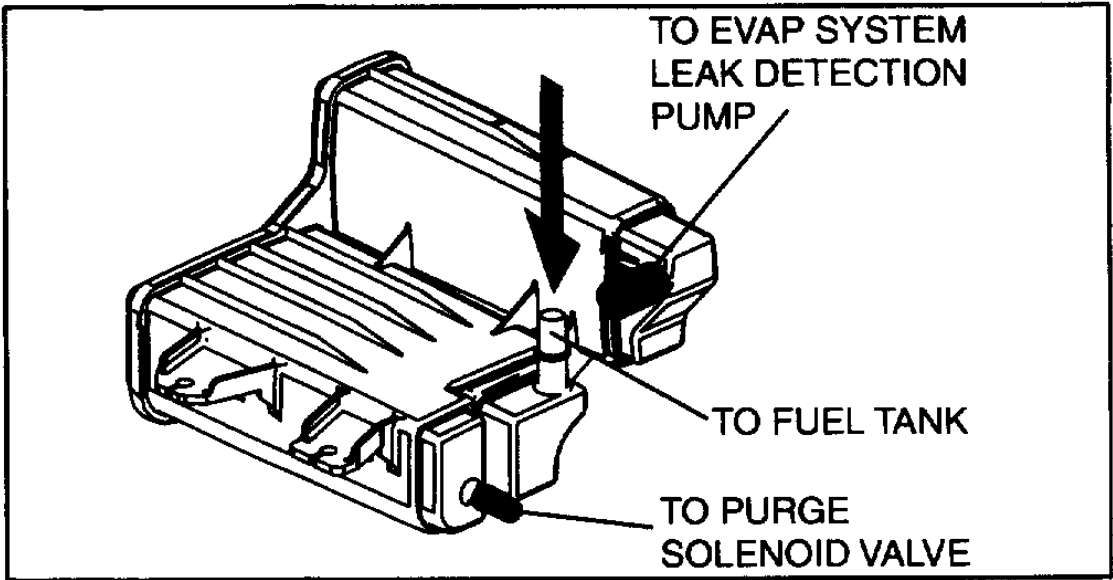


c3u0116w053



B3E0114W009

Component Tests and General Diagnostics (itype_383)



c3u0116w061