

Component Procedures: Canister Purge Solenoid

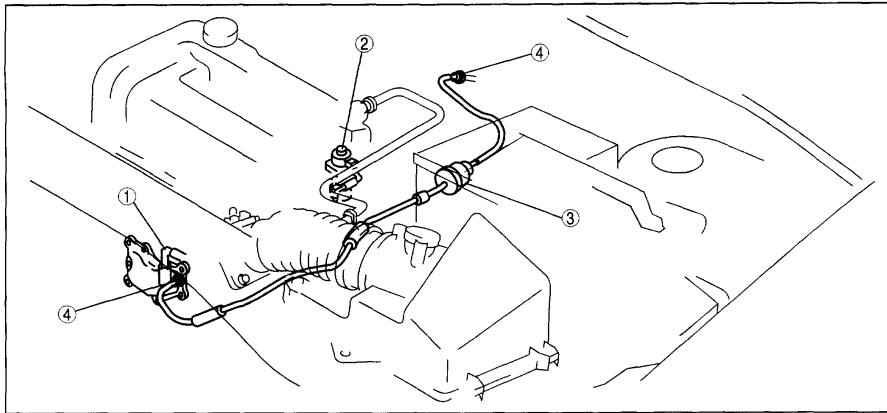
Table of Contents

1. Components (itype_32)
2. Removal and Replacement (itype_401)
3. All Technical Service Bulletins (itype_100)
4. Customer Interest Bulletins (itype_109)
5. Purge Solenoid Valve Inspection (Article 1361857)
6. Noise (itype_156)
7. Sticking/Binding (itype_173)
8. New / Updated Parts (itype_117)

Component Procedures: Canister Purge Solenoid

Components (itype_32)

Engine Compartment Side

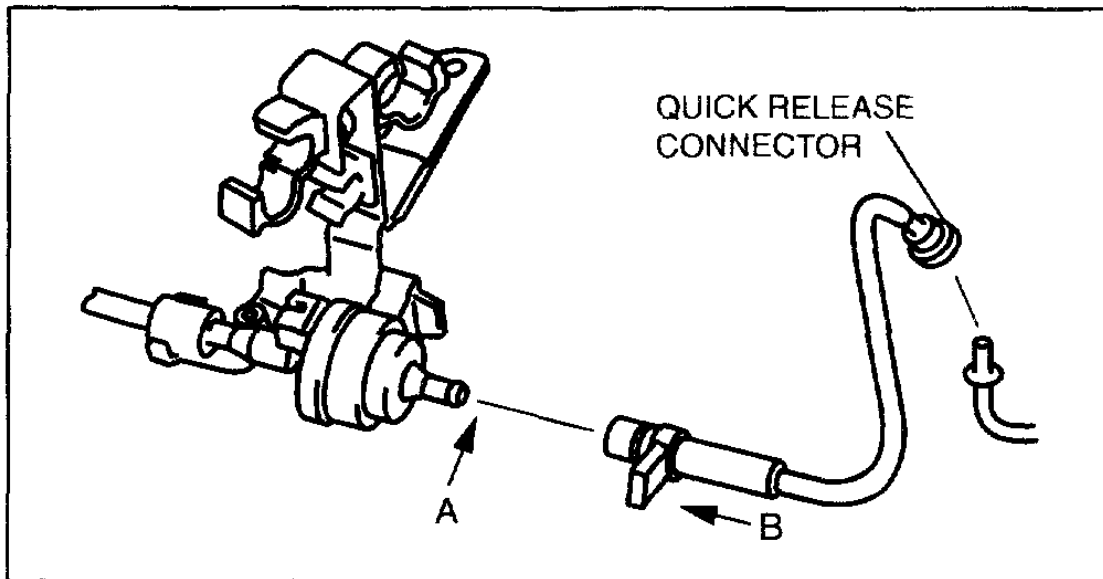


c3u0116w010

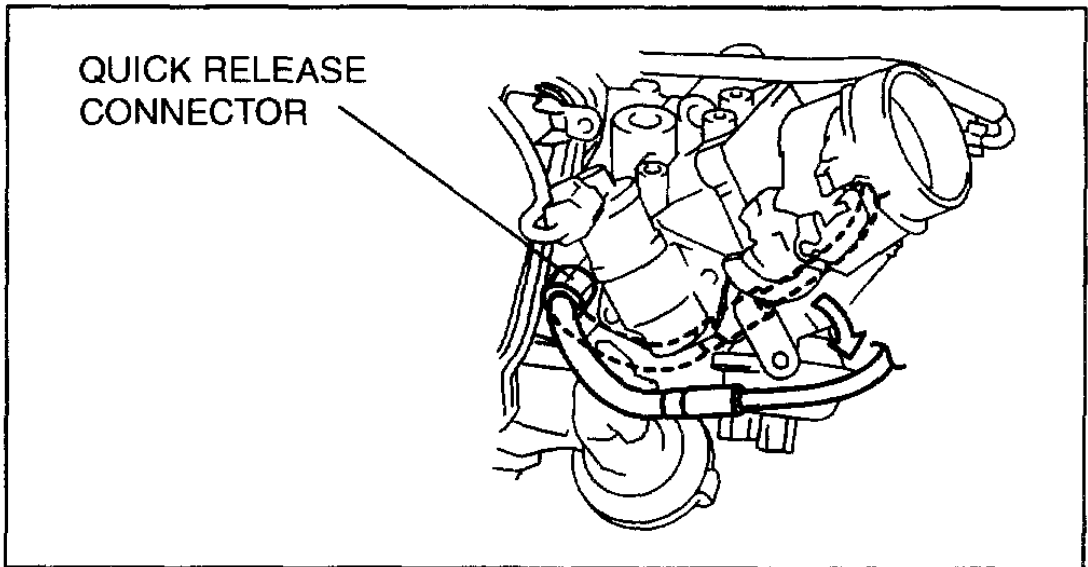
1	Positive crankcase ventilation (PCV) valve
2	EGR valve

3	Purge solenoid valve
4	Quick release connector (Type A)

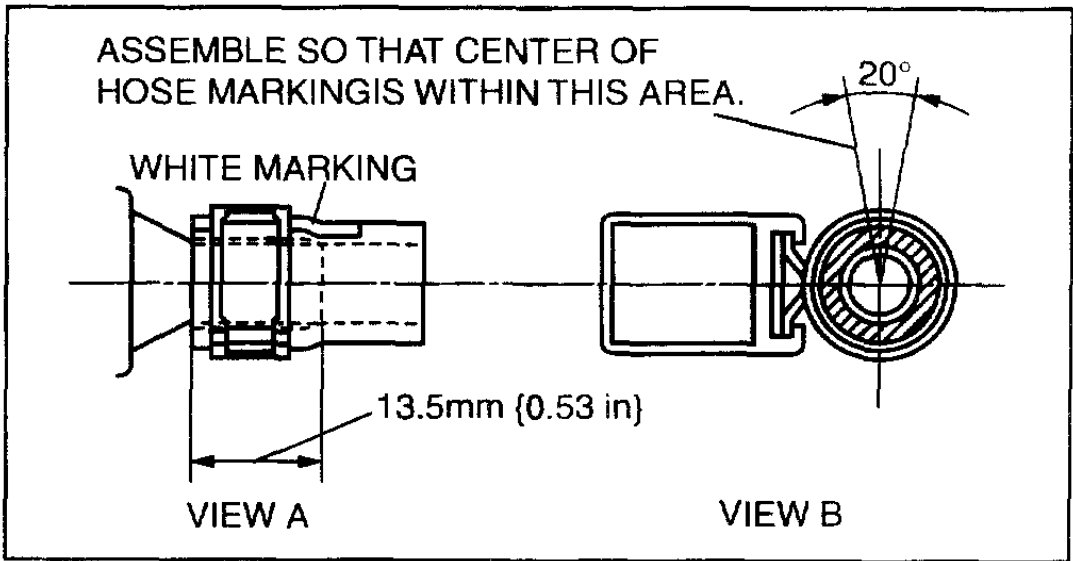
Removal and Replacement (itype_401)



B3E0116W010



c3u0116w082



B3E0116W017

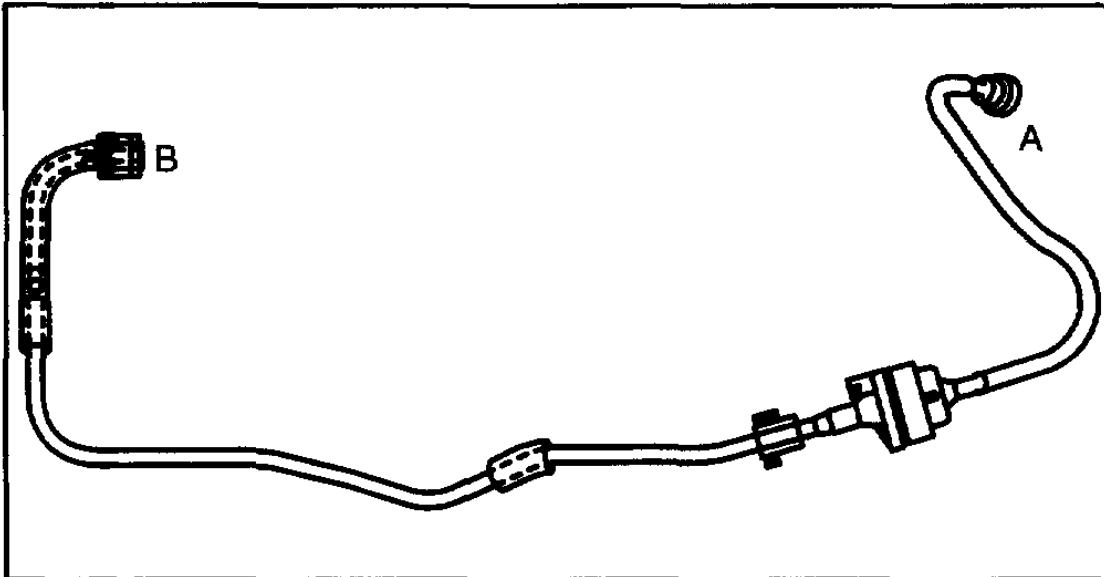
All Technical Service Bulletins (itype_100)

- Tsbs
- Emissions - Ticking Noise From Purge Solenoid At Idle (0101009, 2009/03/23)
 - Emissions - MIL ON/DTC P0441 Set (0100309, 2009/01/23)

Customer Interest Bulletins (itype_109)

- Tsbs
- Emissions - Ticking Noise From Purge Solenoid At Idle (0101009, 2009/03/23)
 - Emissions - MIL ON/DTC P0441 Set (0100309, 2009/01/23)

Purge Solenoid Valve Inspection (Article 1361857)



c3u0116w081

Measured condition	Continuity between A—B
When voltage is not applied between terminals A and B	No airflow
When voltage is applied between terminals A and B	Airflow detected

**PCM
HARNESS SIDE CONNECTOR**

2BE	2BA	2AW	2AS	2AO	2AK	2AG	2AC	2Y	2U	2Q	2M	2I	2E	2A
2BF	2BB	2AX	2AT	2AP	2AL	2AH	2AD	2Z	2V	2R	2N	2J	2F	2B
—————							—————							
2BG	2BC	2AY	2AU	2AQ	2AM	2AI	2AE	2AA	2W	2S	2O	2K	2G	2C
2BH	2BD	2AZ	2AV	2AR	2AN	2AJ	2AF	2AB	2X	2T	2P	2L	2H	2D

E08L14022W6092

Noise (itype_156)

Tsbs

- Emissions - Ticking Noise From Purge Solenoid At Idle (0101009, 2009/03/23)

Sticking/Binding (itype_173)

Tsbs

- Emissions - MIL ON/DTC P0441 Set (0100309, 2009/01/23)

New / Updated Parts (itype_117)

Tsbs

- Emissions - Ticking Noise From Purge Solenoid At Idle (0101009, 2009/03/23)
- Emissions - MIL ON/DTC P0441 Set (0100309, 2009/01/23)