

Component Procedures: Radiator Support

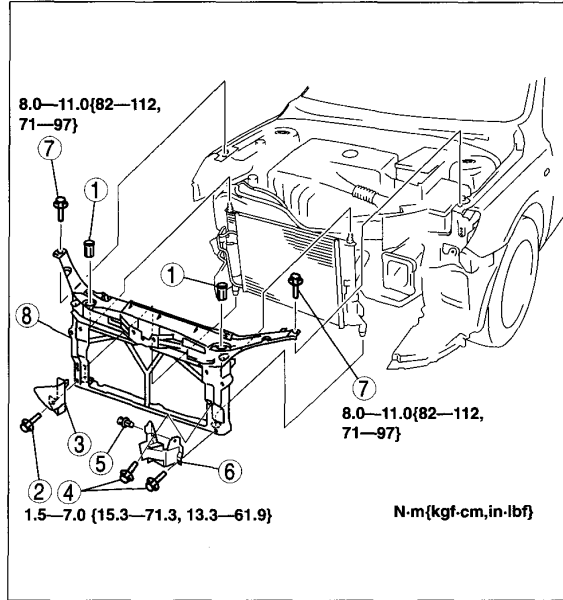
Table of Contents

1. Shroud Panel Removal/Installation (Article 1439246)

Component Procedures: Radiator Support

Shroud Panel Removal/Installation (Article 1439246)

1	Radiator mount cap
2	Bolt A
3	Seal plate
4	Bolt B
5	Fastener
6	Air guide
7	Bolt C
8	Shroud panel



am3uuw0000046