

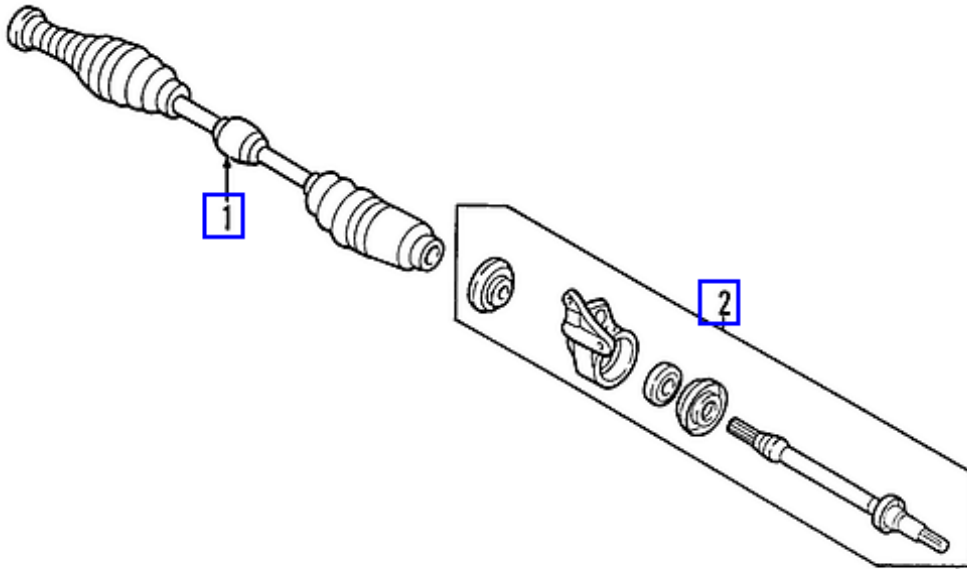
Component Procedures: Axle Shaft Assembly

Table of Contents

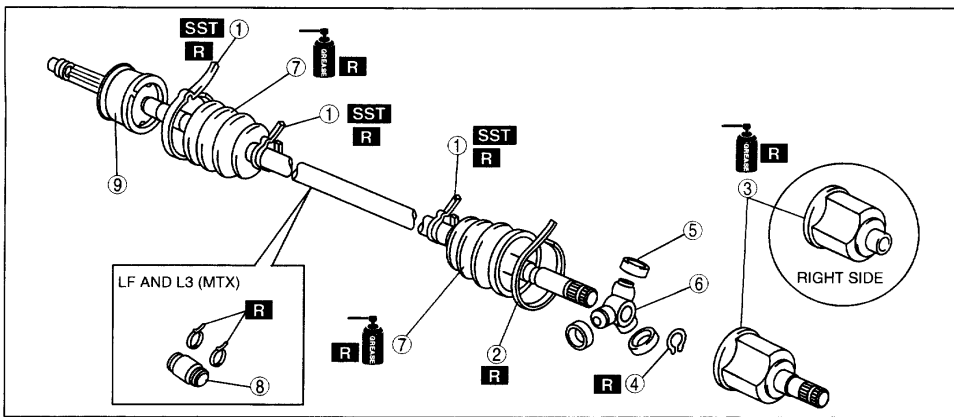
1. Front Axle (Article 791506)
2. Drive Shaft (Tripod Joint) Disassembly/Assembly (Article 1420214)
3. Joint Shaft Disassembly/Assembly (Article 1420239)
4. Joint Shaft Removal/Installation LF (Article 1420188)
5. Drive Shaft Removal/Installation (Article 1370288)
6. All Technical Service Bulletins (itype_100)
7. Customer Interest Bulletins (itype_109)
8. Drive Shaft Inspection (Article 1413120)
9. Joint Shaft Inspection (Article 1413121)
10. Noise (itype_156)
11. Warranty Information (itype_119)

Component Procedures: Axle Shaft Assembly

Front Axle (Article 791506)



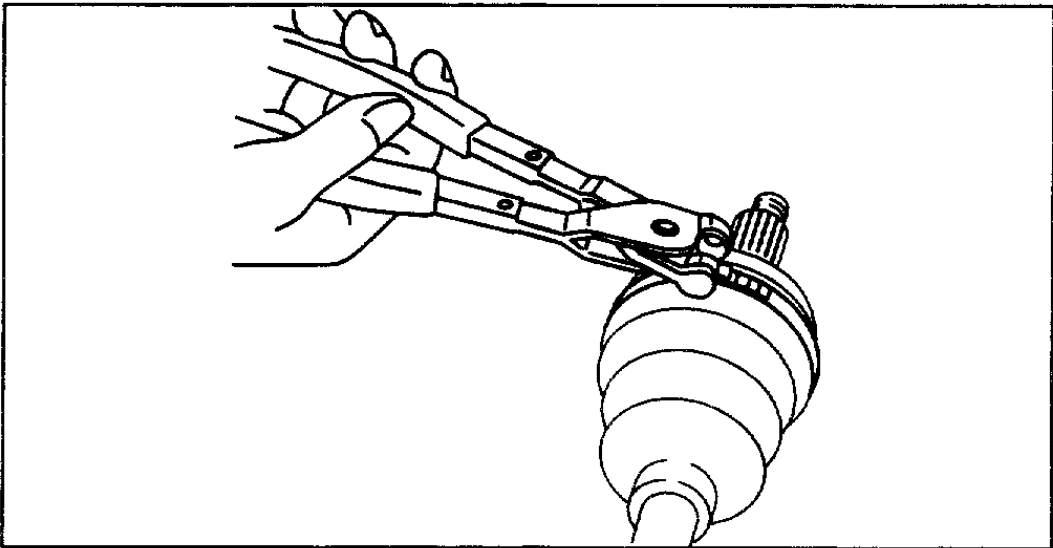
Drive Shaft (Tripod Joint) Disassembly/Assembly (Article 1420214)



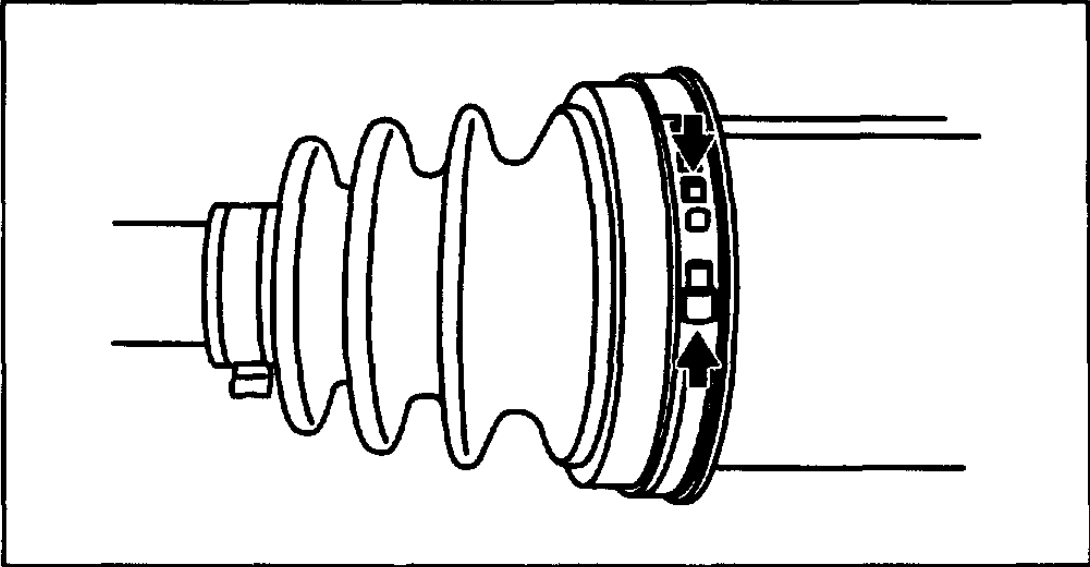
am3uuw000043

1	Boot band (wheel side, transaxle side smaller diameter)
2	Boot band (transaxle side larger diameter)
3	Outer ring

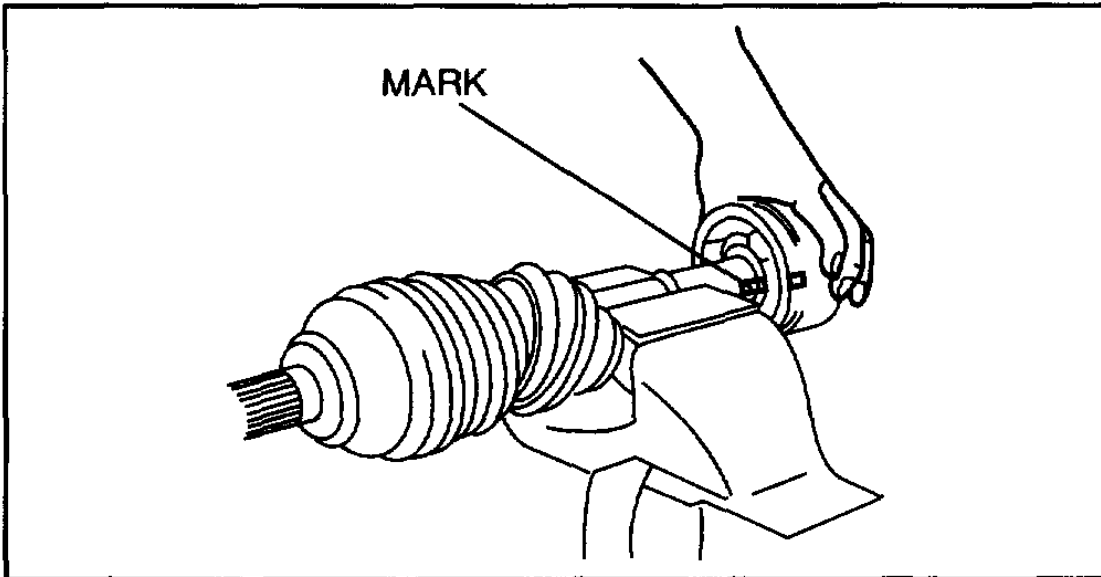
4	Snap ring
5	Free ring (ATX)
6	Tripod joint
7	Boot
8	Dynamic damper (LF and L3 (MTX))
9	Shaft and ball joint component



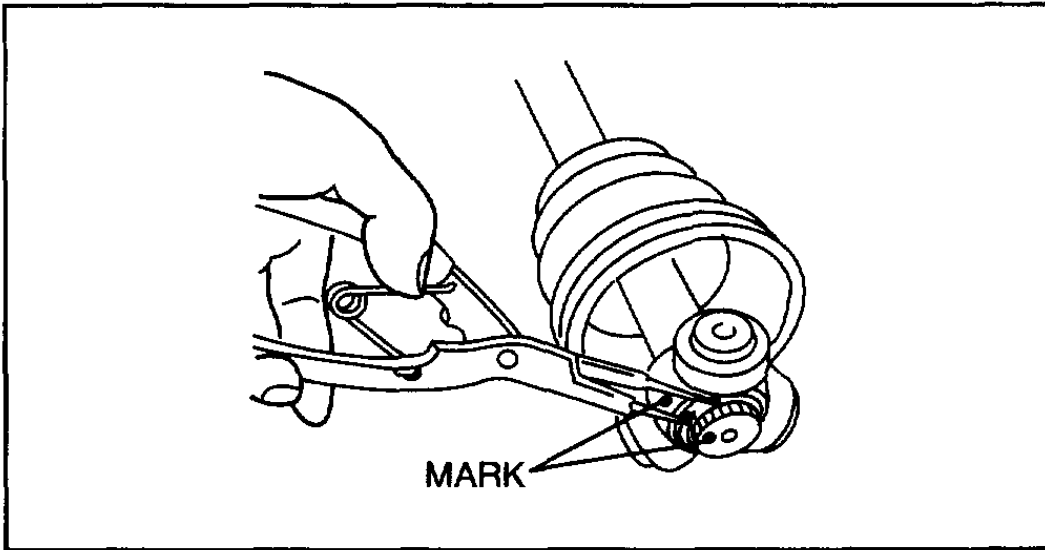
am3uuw0000043



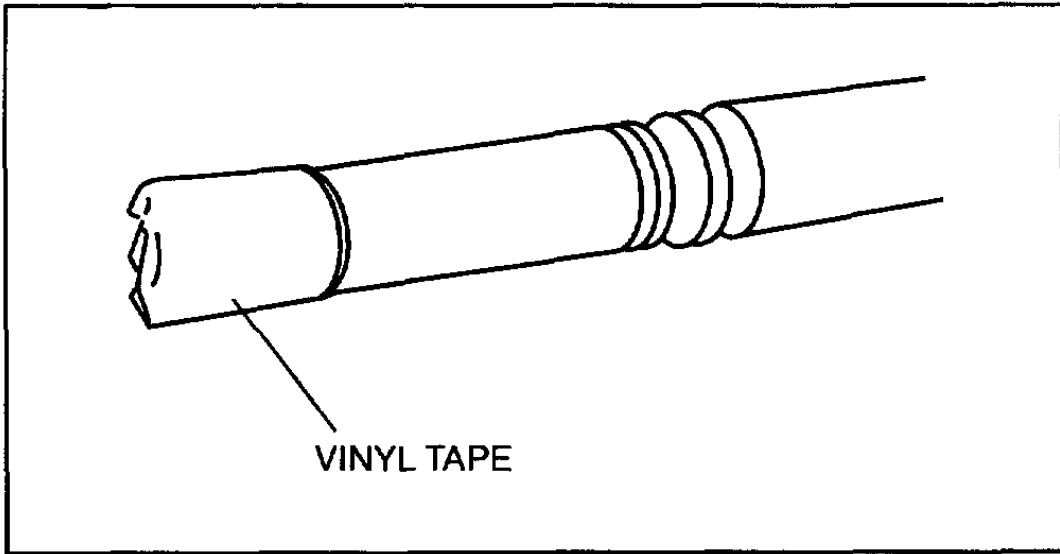
am3uuw0000043



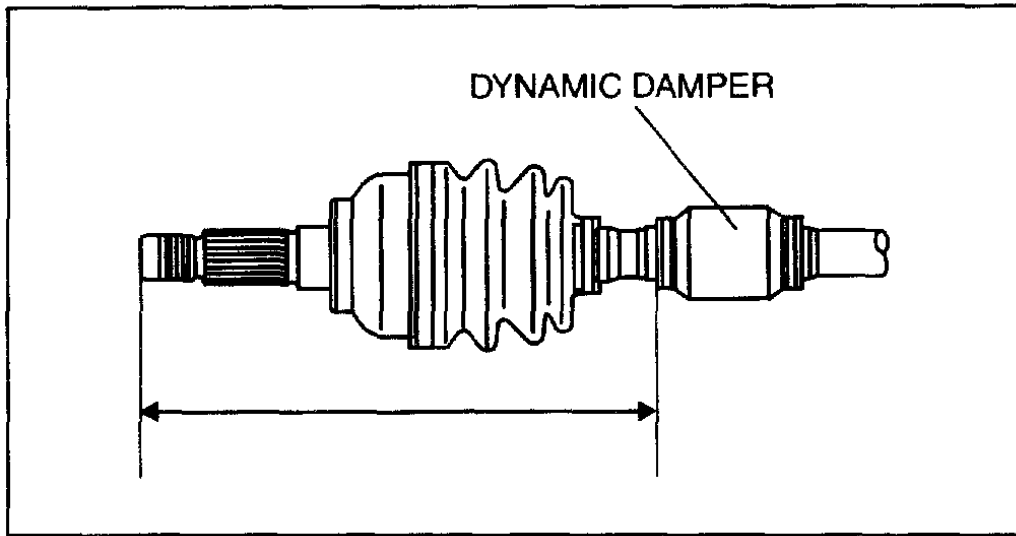
am3uuw000043



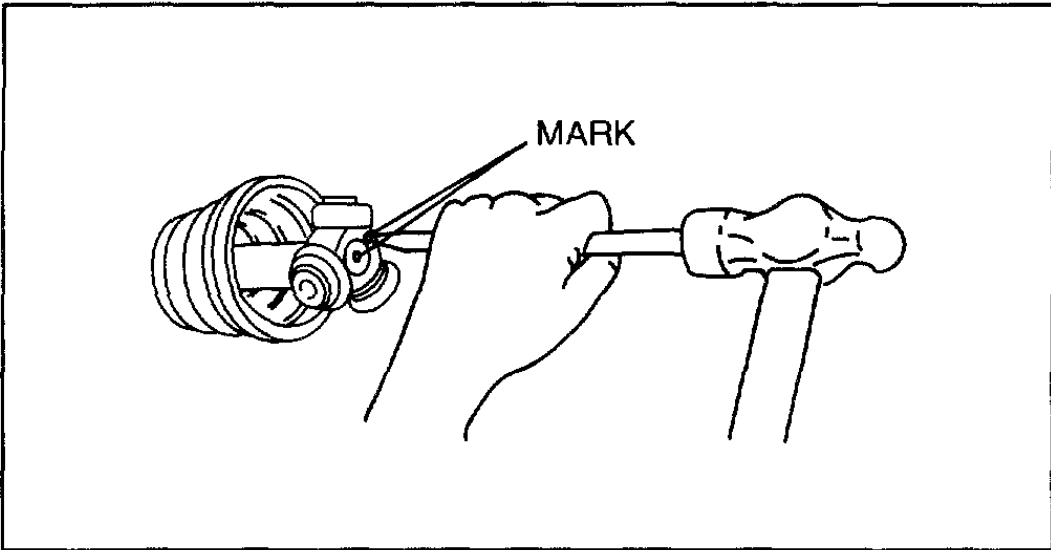
am3uuw000043



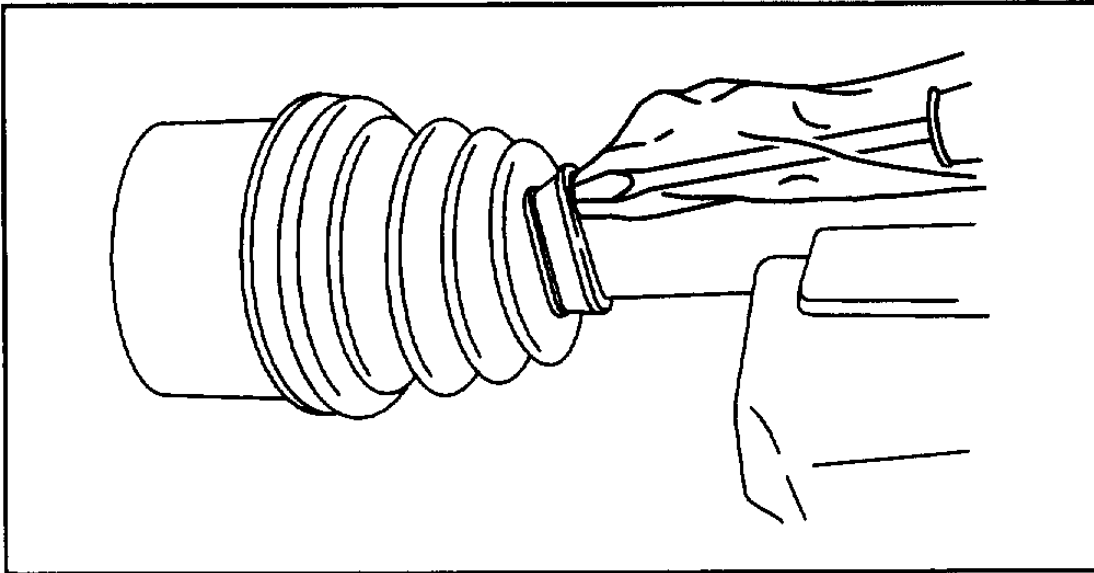
c3u0313w024



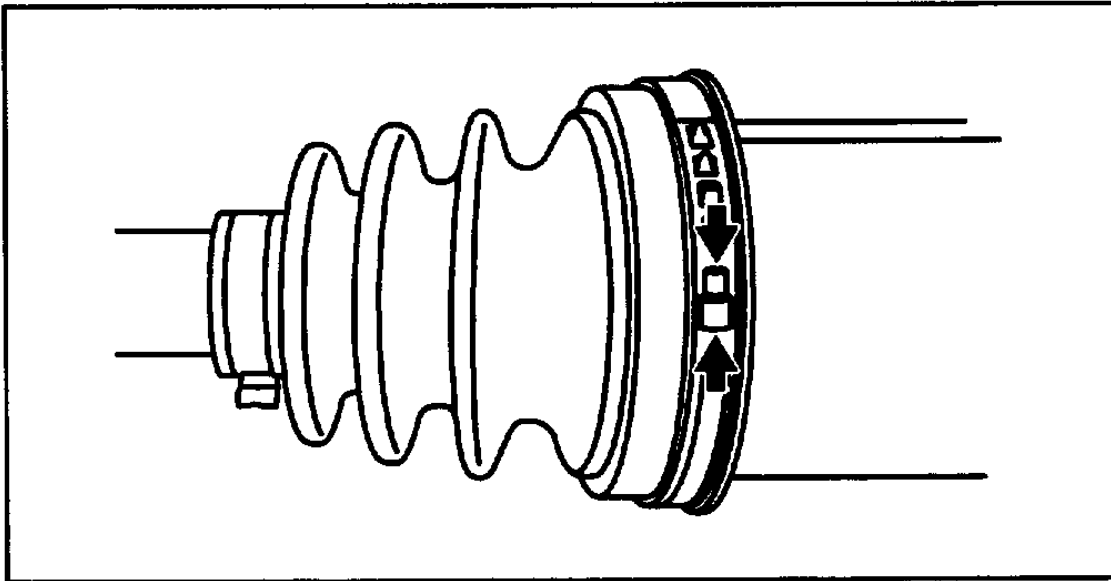
am3uuw000043



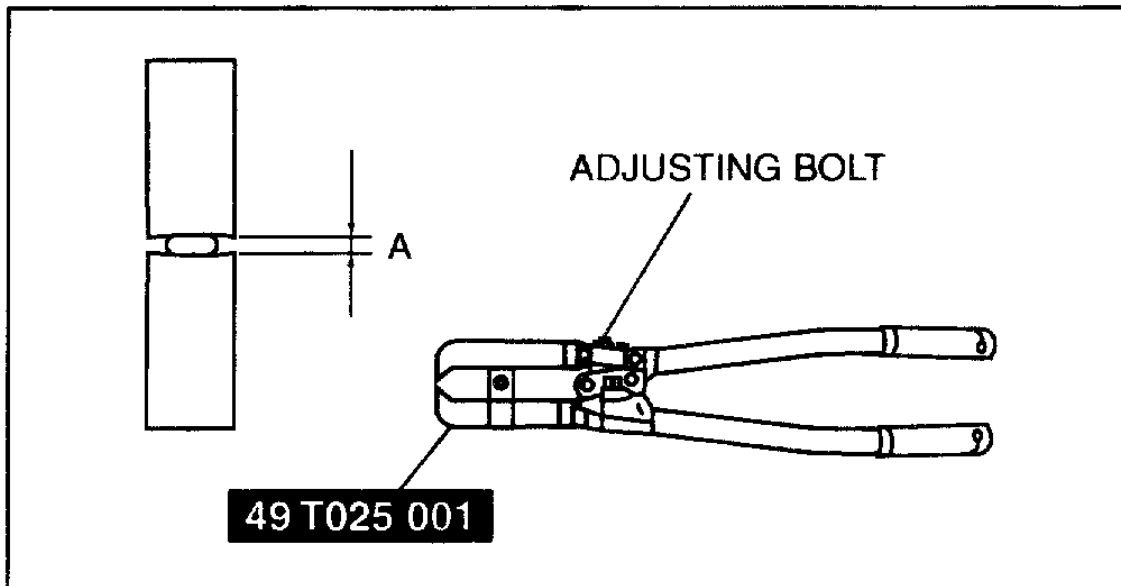
am3uuw000043



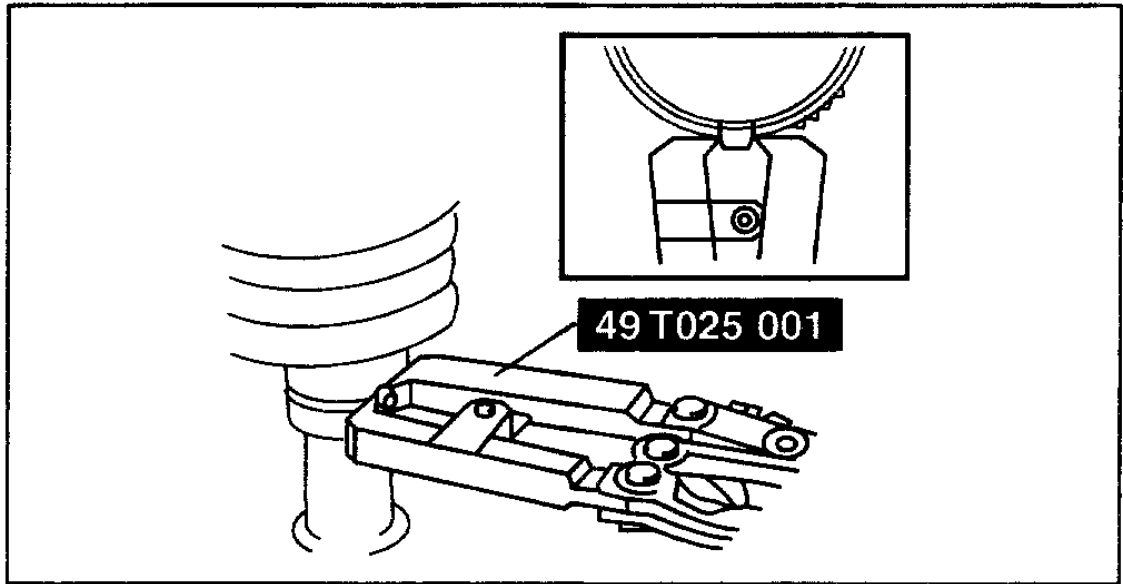
am3uuw000043



am3uuw000044

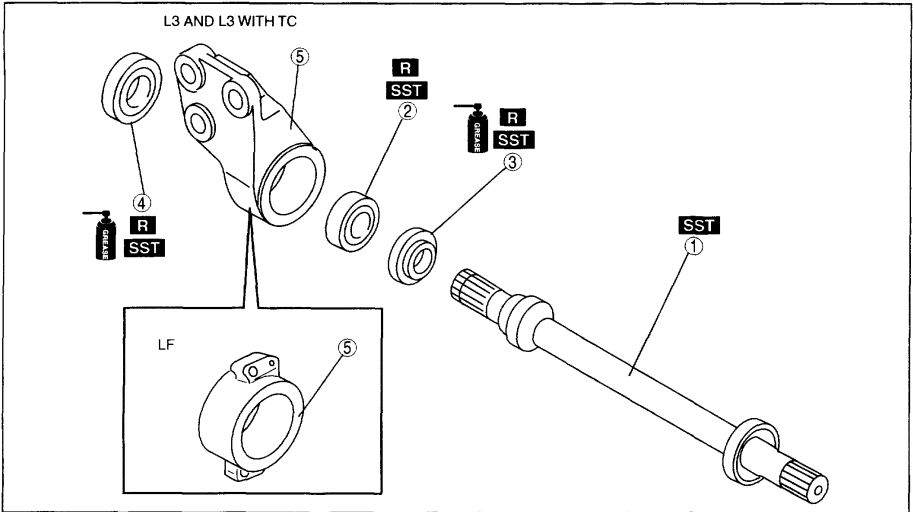


c3u0313w027



am3uuw0000044

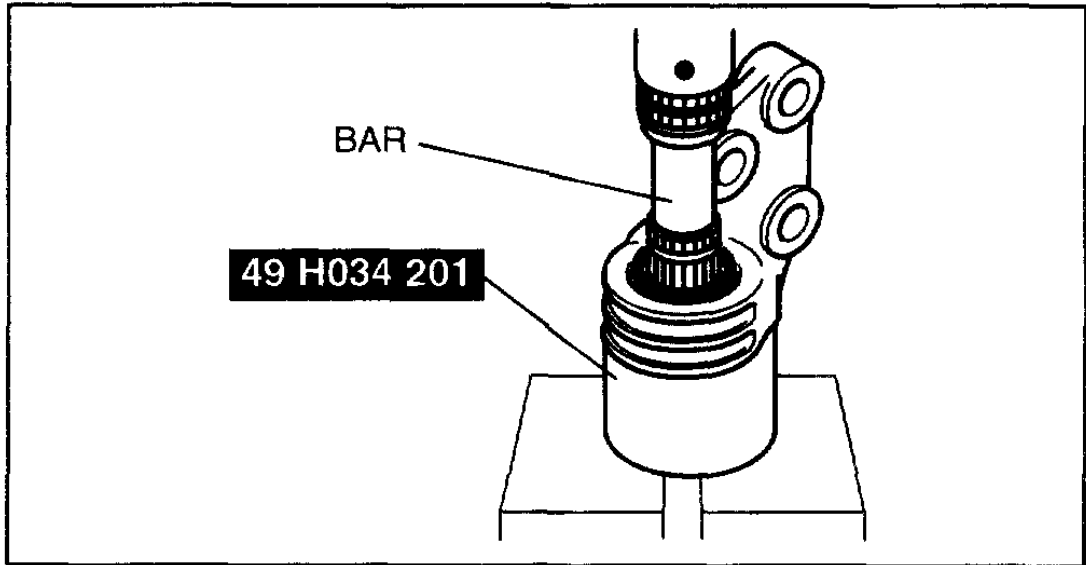
Joint Shaft Disassembly/Assembly (Article 1420239)



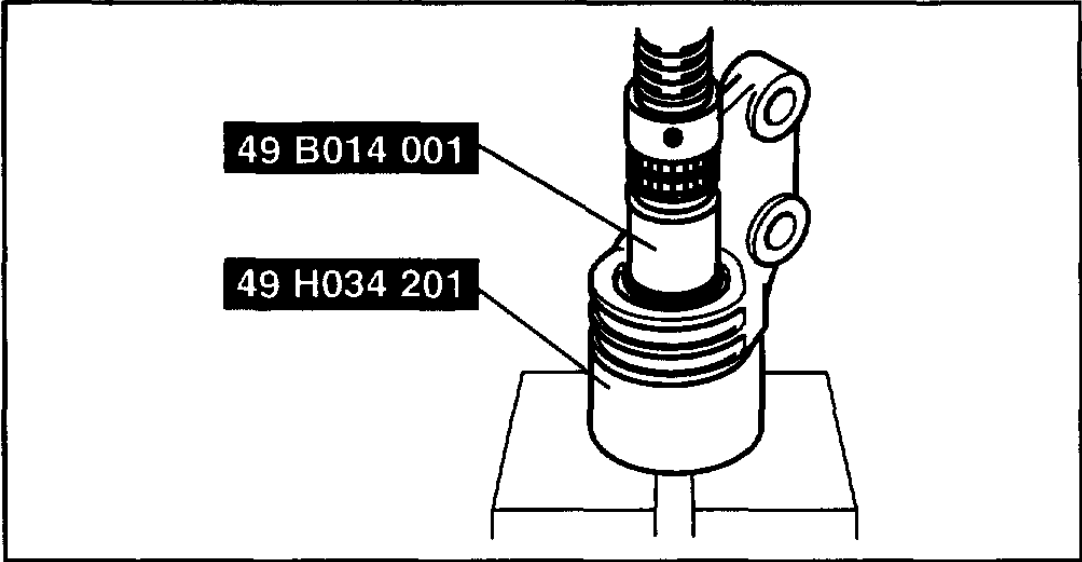
am3uuw0000041

1	Joint shaft
2	Bearing

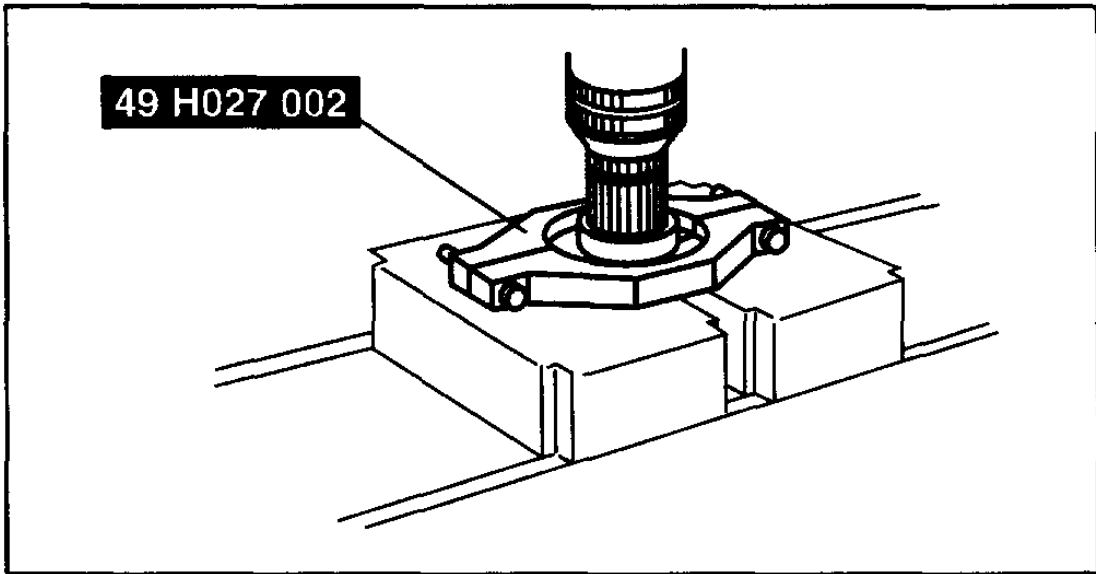
3	Dust seal (LH)
4	Dust seal (RH)
5	Bracket



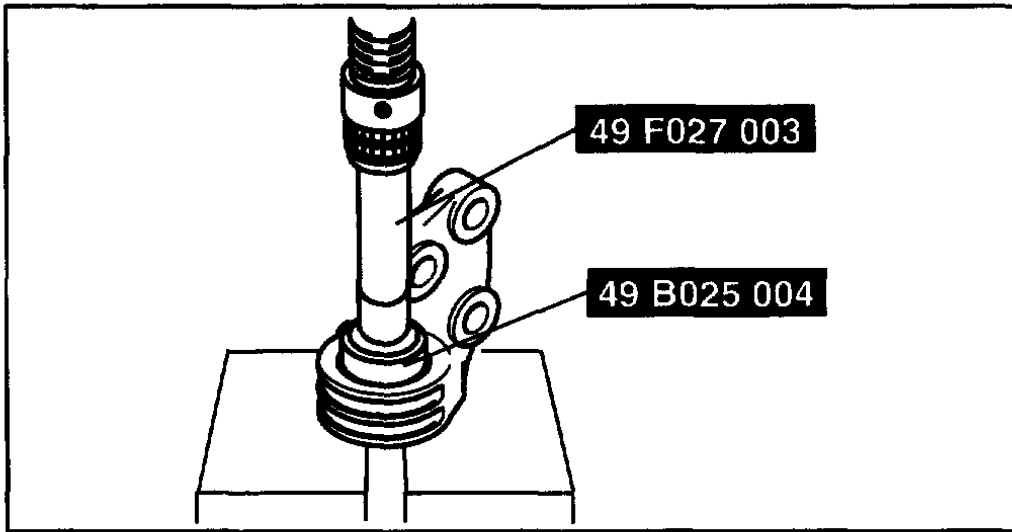
c3u0313w010



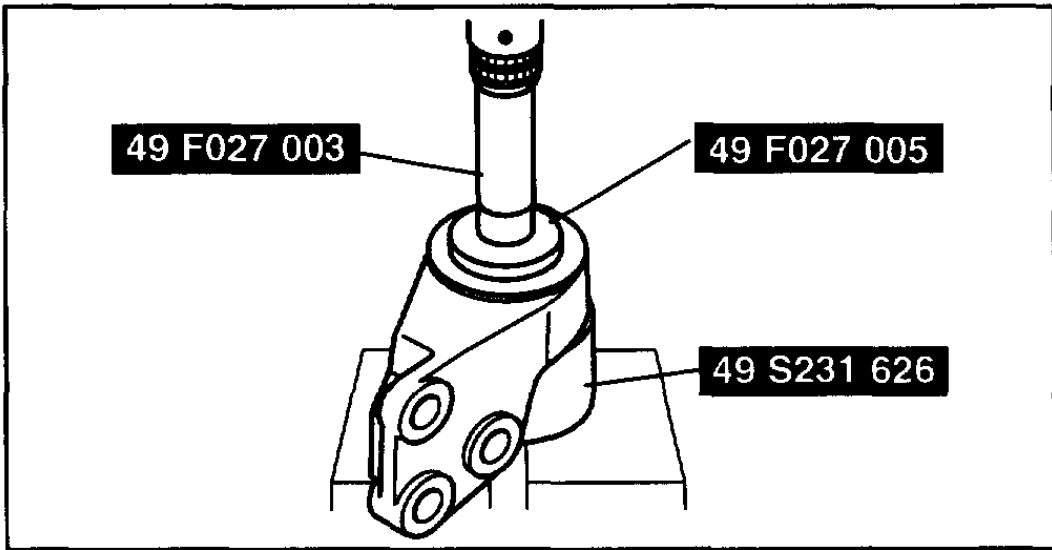
d3u313zw6001



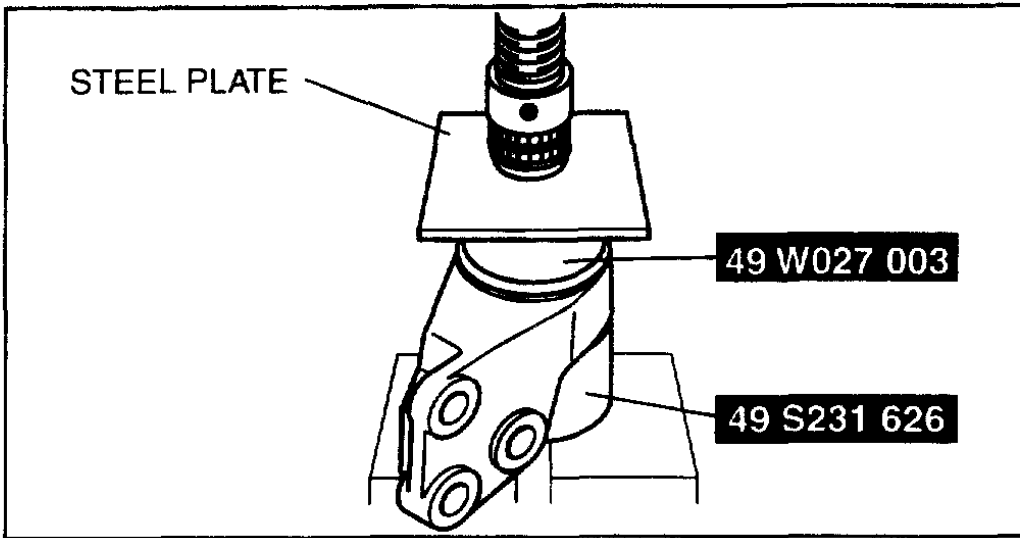
am3uuw0000041



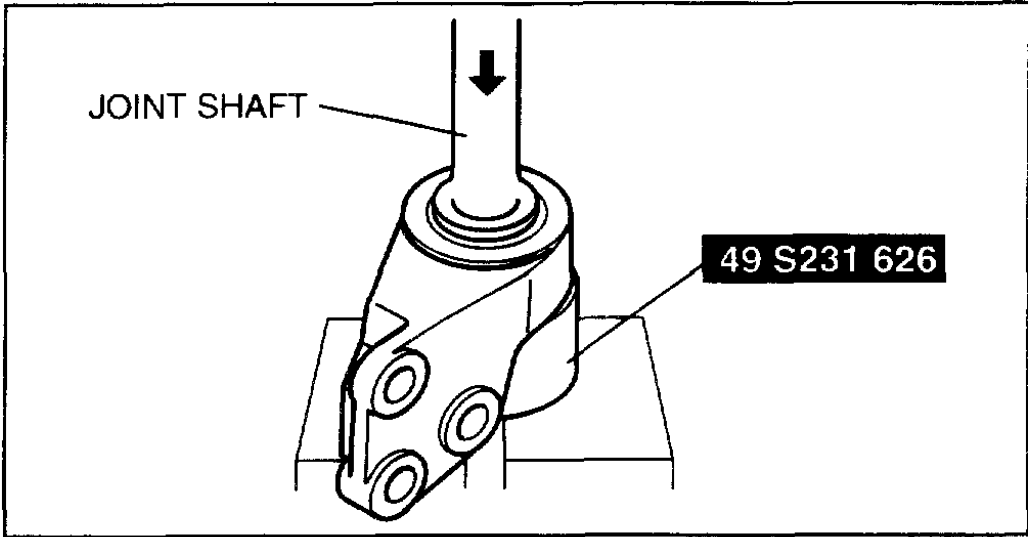
c3u0313w016



c3u0313w017

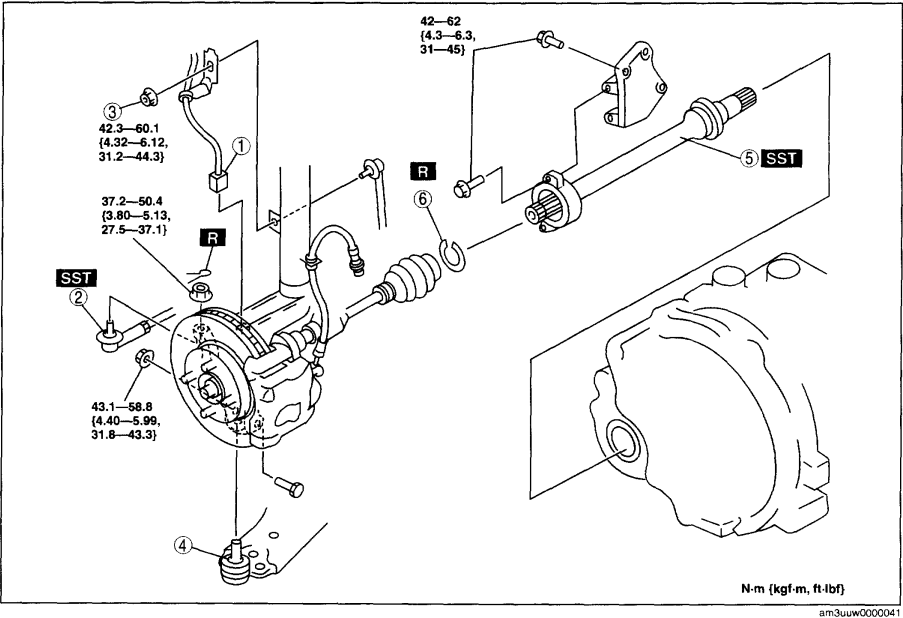


c3u0313w018



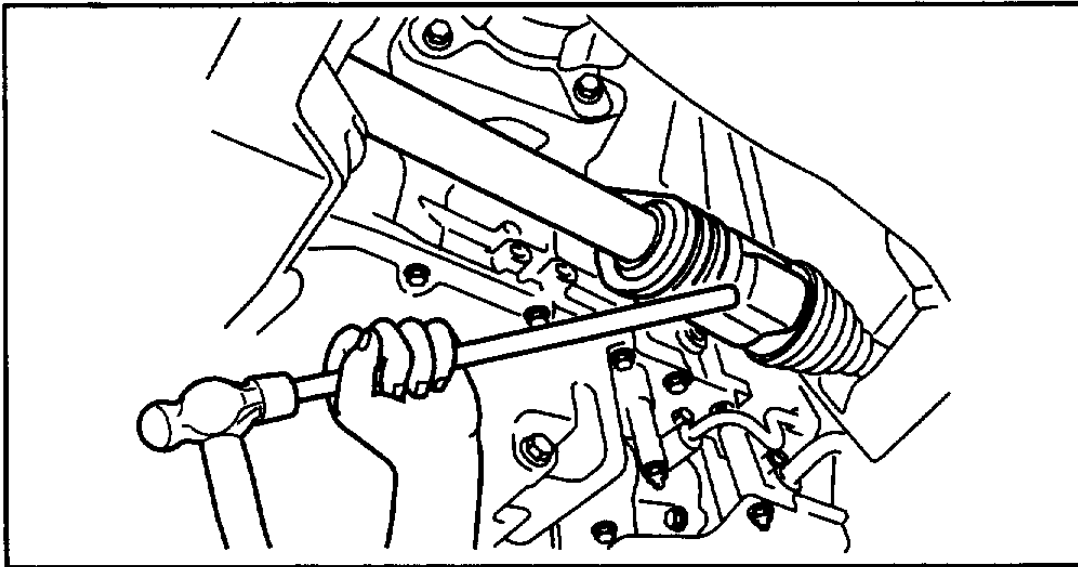
c3u0313w019

Joint Shaft Removal/Installation LF (Article 1420188)

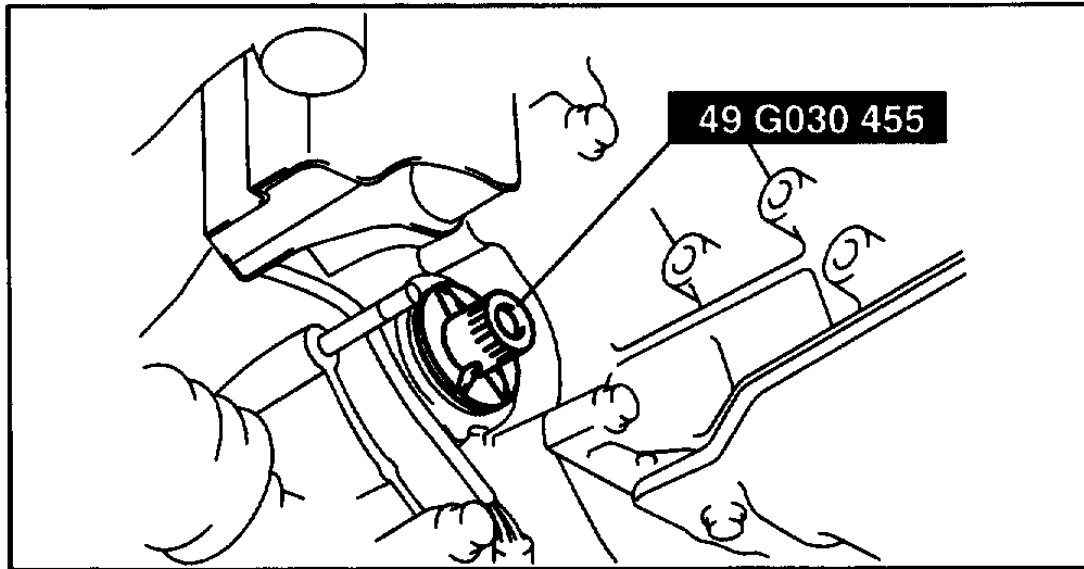


1	ABS wheel-speed sensor connector
2	Tie-rod end ball joint
3	Stabilizer control link upper nut

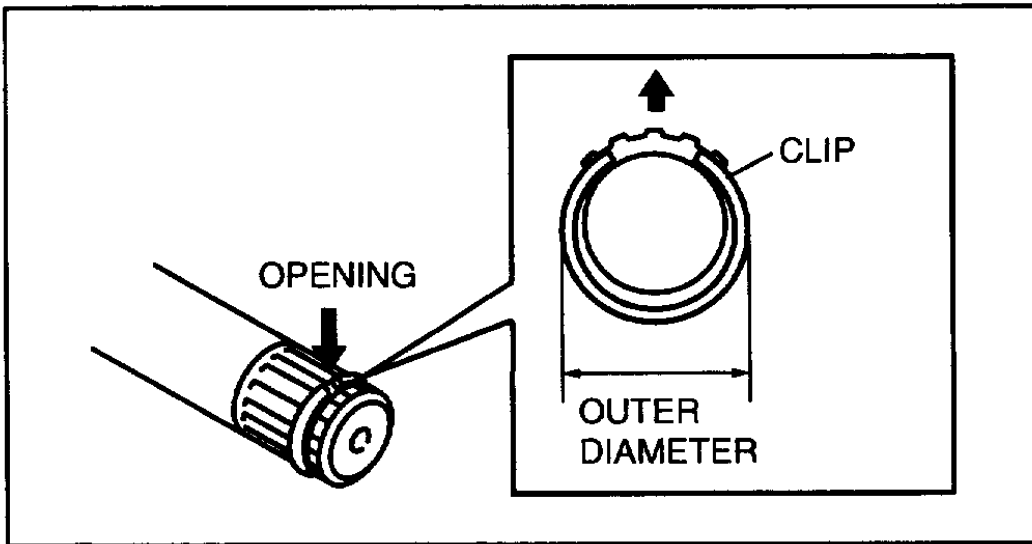
4	Front lower arm ball joint
5	Joint shaft
6	Clip



am3zzw0000205

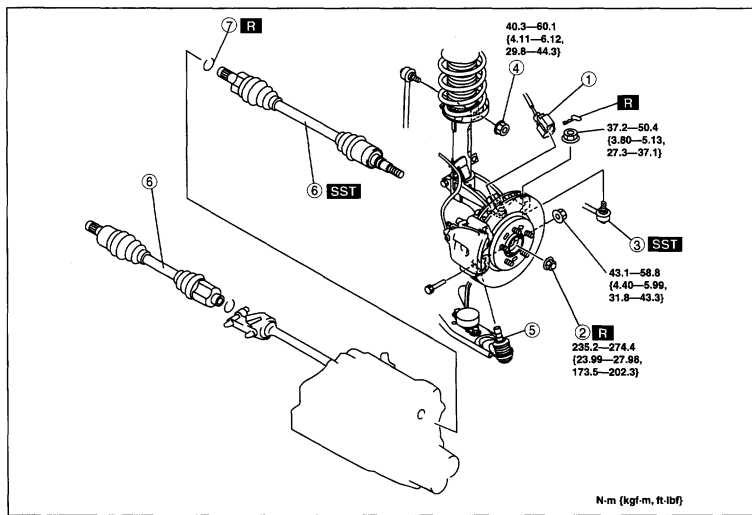


am3uuw0000041



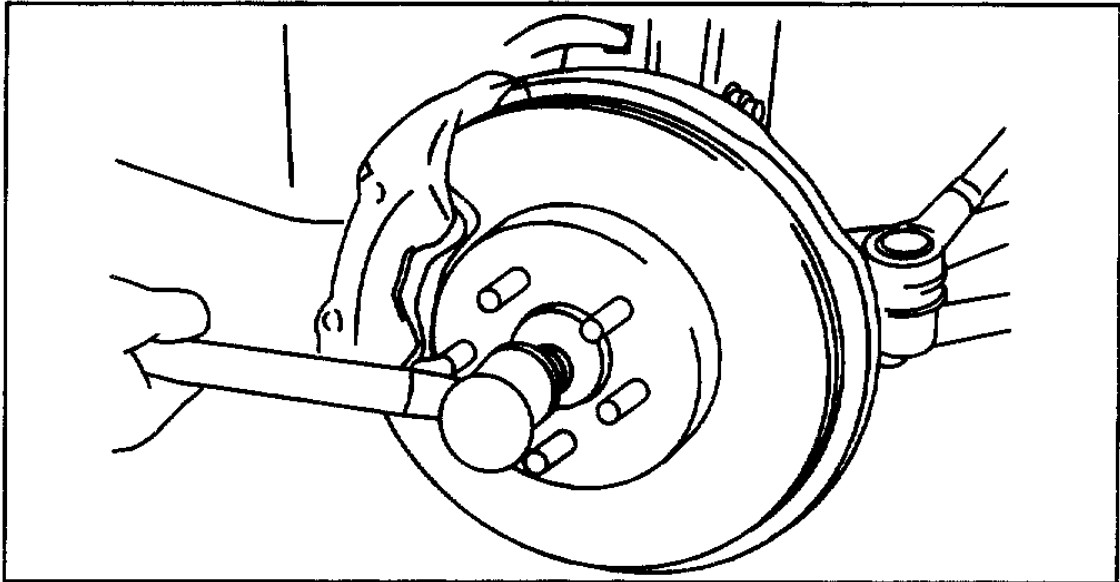
am3zzw0000205

Drive Shaft Removal/Installation (Article 1370288)

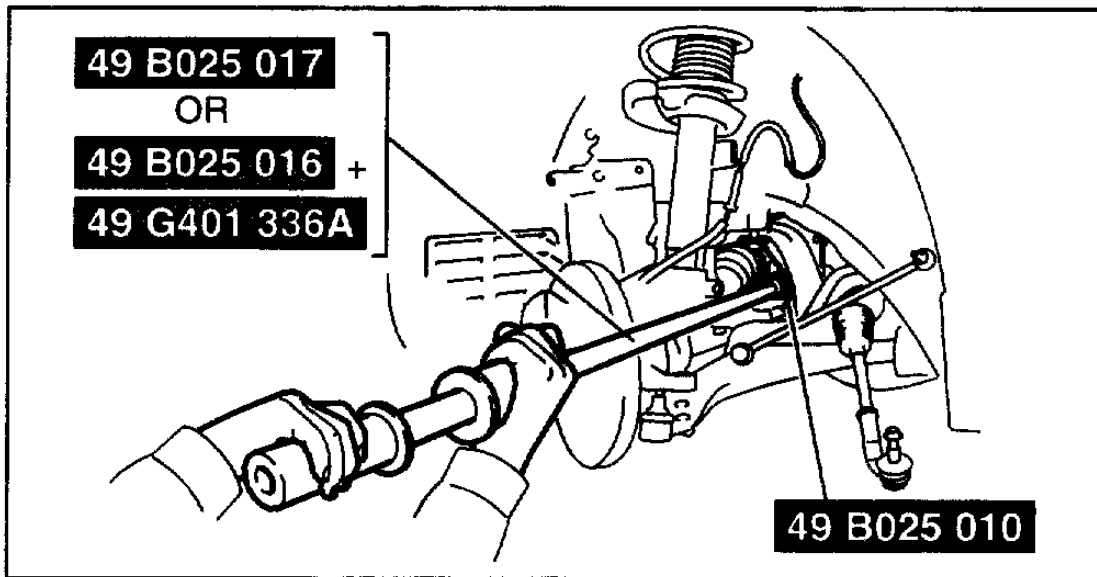


1	ABS wheel-speed sensor connector
2	Locknut
3	Tie-rod end ball joint

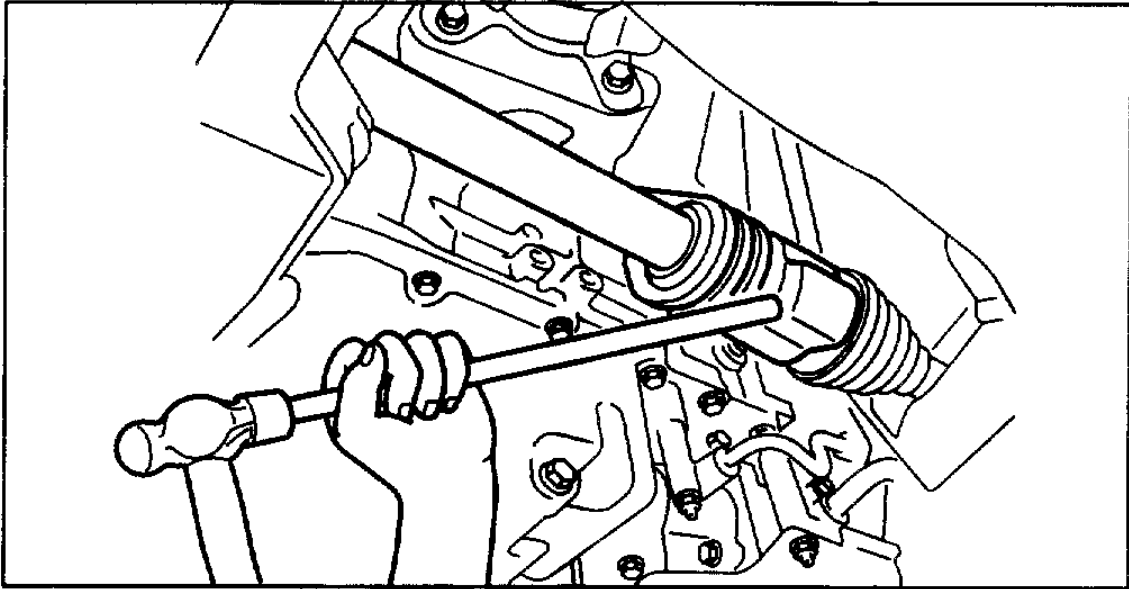
4	Stabilizer control link upper nut
5	Front lower arm ball joint
6	Drive shaft
7	Clip



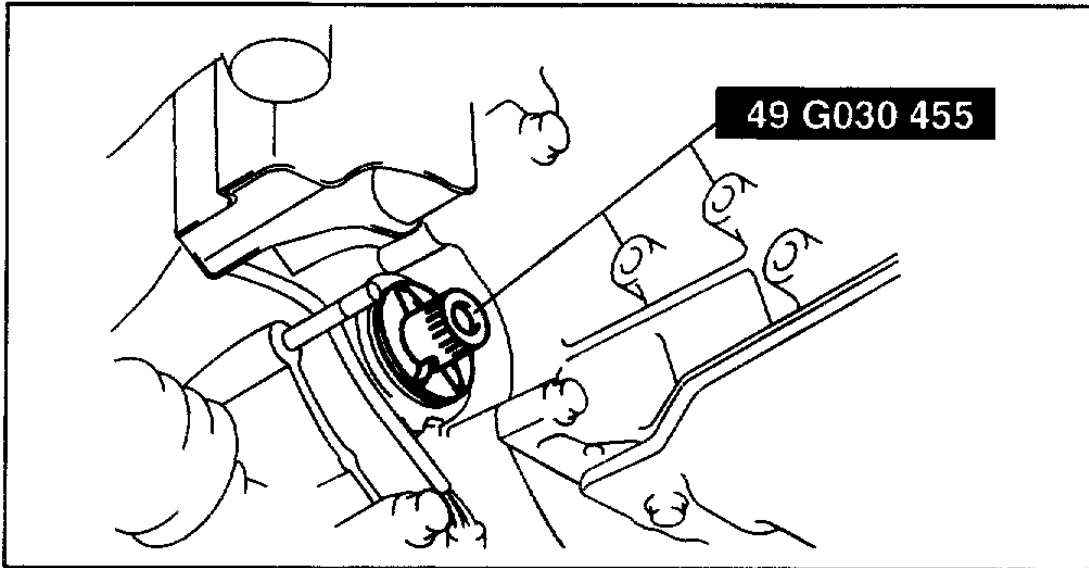
am3uuw000042



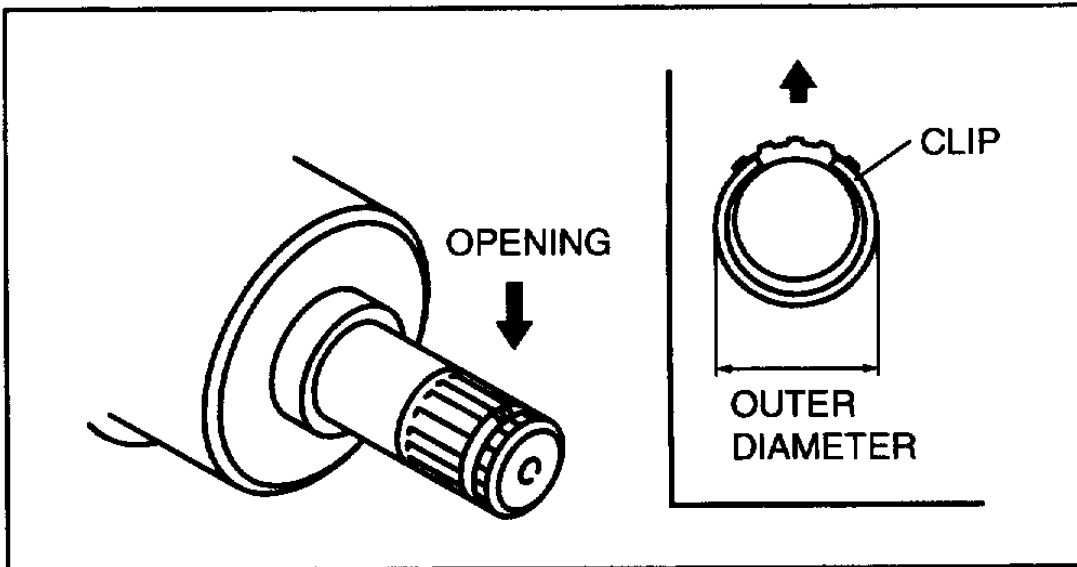
am3zzw0000338



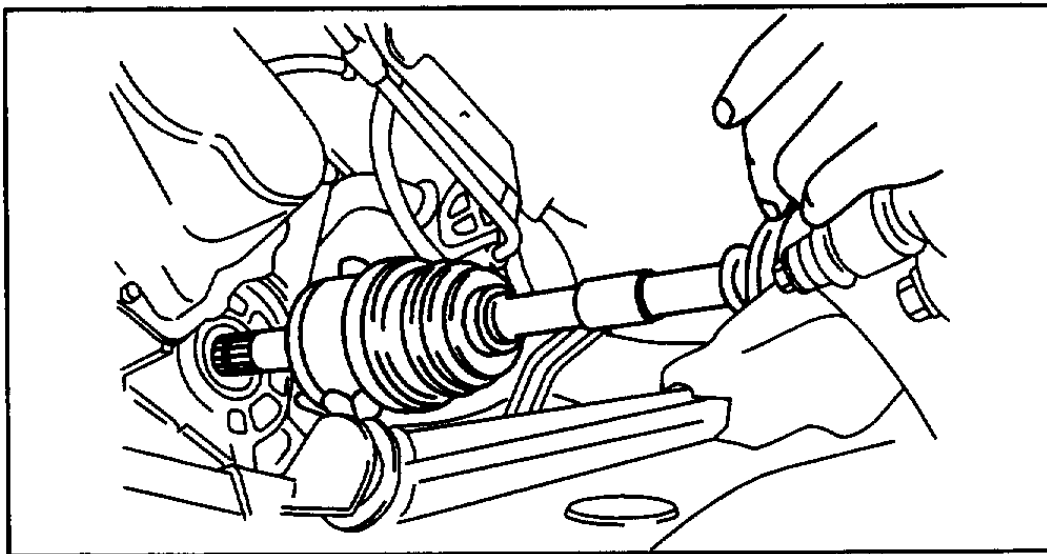
am3uuw000042



c3u0313w504



am3uuw0000042



am3uuw0000042

All Technical Service Bulletins (itype_100)

Tsbs

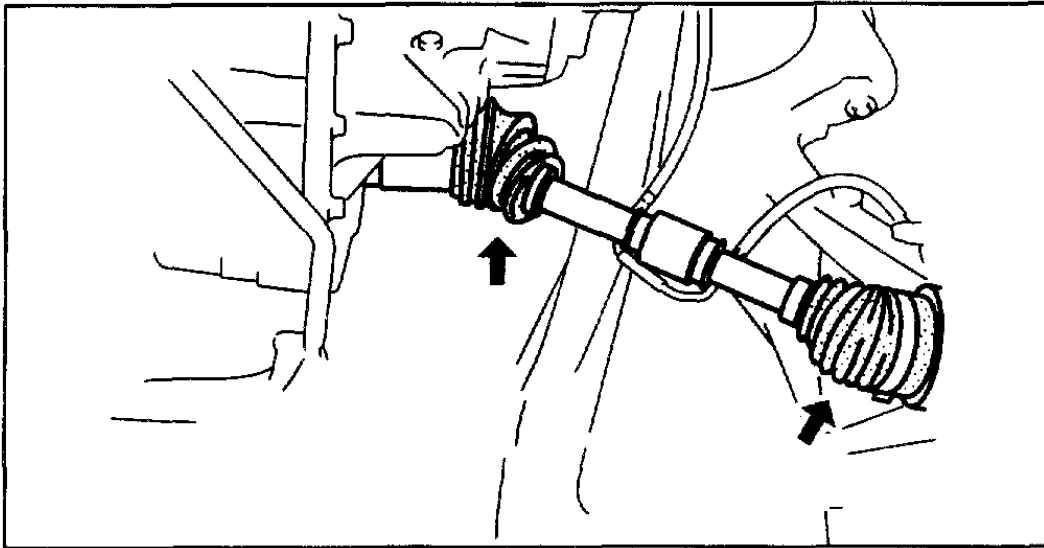
- Drivetrain - Drive Axle Clunking Noises (0300210, 2010/07/07)

Customer Interest Bulletins (itype_109)

Tsbs

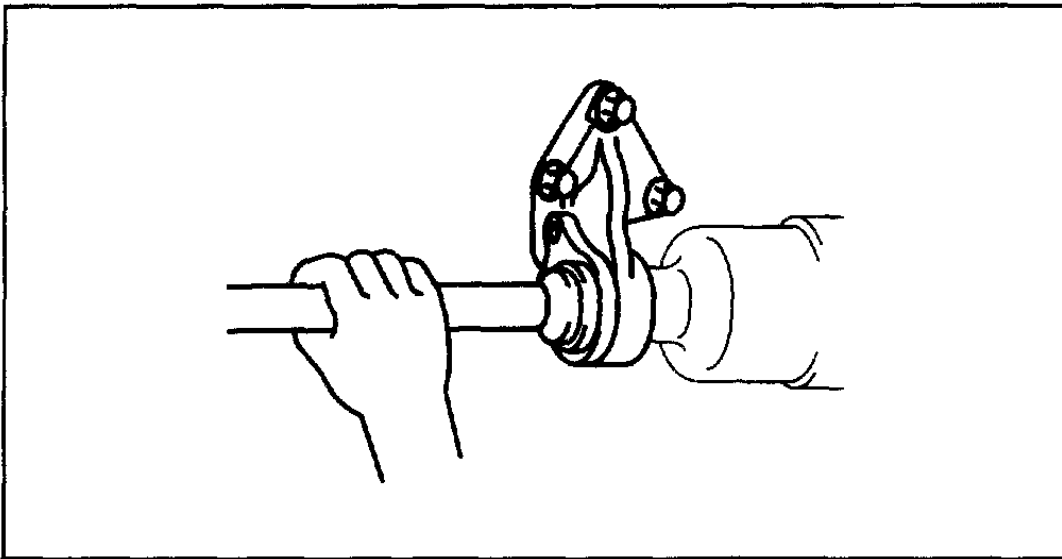
- Drivetrain - Drive Axle Clunking Noises (0300210, 2010/07/07)

Drive Shaft Inspection (Article 1413120)



B3E0313W501

Joint Shaft Inspection (Article 1413121)



B3E0313W500

Noise (itype_156)

Tsbs
- Drivetrain - Drive Axle Clunking Noises (0300210, 2010/07/07)

Warranty Information (itype_119)

Tsbs
- Drivetrain - Drive Axle Clunking Noises (0300210, 2010/07/07)