

Component Procedures: Instrument Panel, Gauges and Warning Indicators

Table of Contents

1. Parts and Labor (itype_189)
2. Instrument Panel Illumination (Article 1393425)
3. Instrument Cluster - Instrument Cluster Circuit (Article 10435)
4. Instrument Cluster - Multi-Information System Circuit (Article 10586)
5. Warning Systems - Chime Circuit (Article 16401)
6. Components (itype_32)
7. All New Technical Service Bulletins (itype_432)
8. All Technical Service Bulletins (itype_100)
9. Customer Interest Bulletins (itype_109)
10. Repair Tips (itype_110)
11. PID/Data Monitor Inspection (Article 1413420)
12. PID/Data Monitor Table (Article 1413418)
13. Clearing Diagnostic Trouble Codes (Article 1413709)
14. DTC Inspection (Article 1381132)
15. Abnormal wear/deterioration (itype_122)
16. Erratic Operation (itype_132)
17. Tools and Equipment (itype_113)

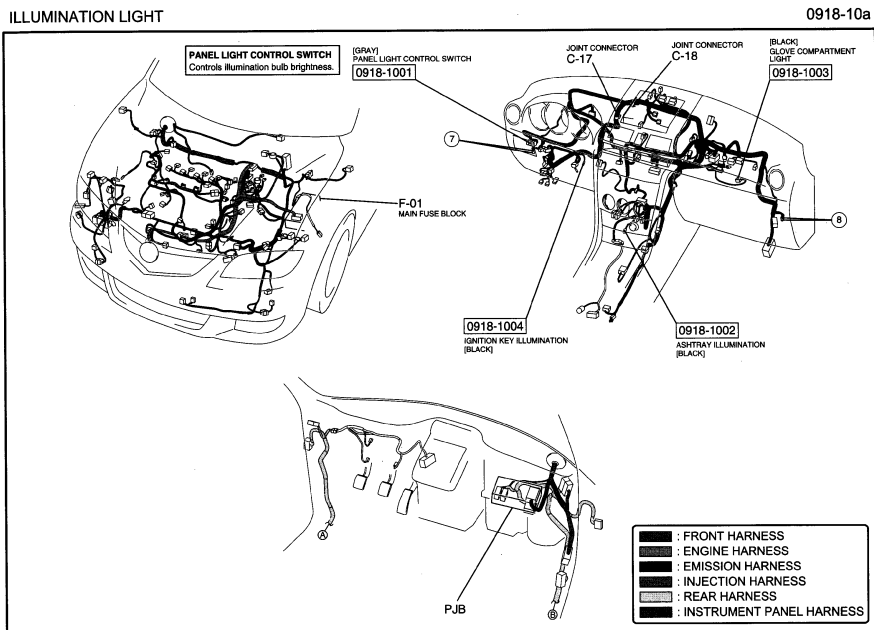
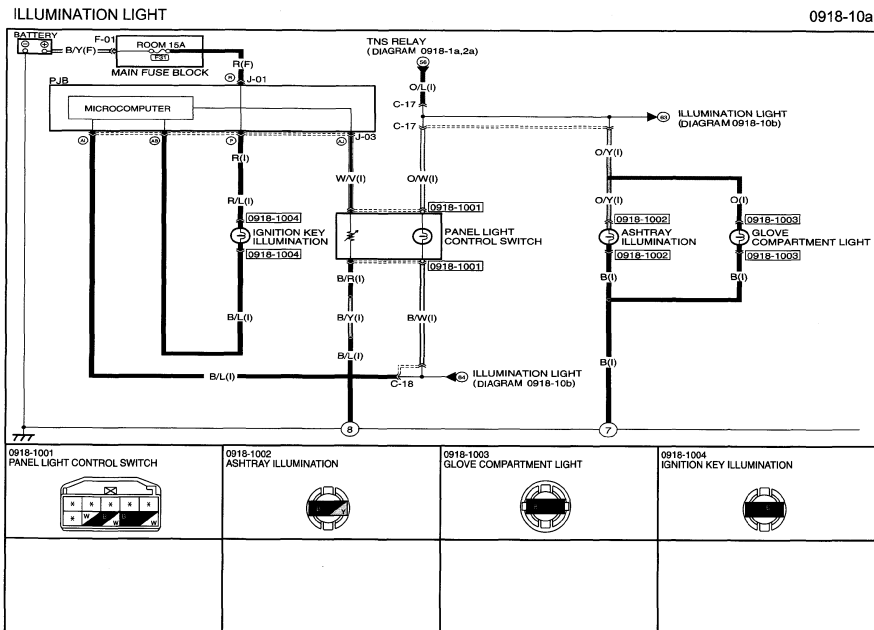
Component Procedures: Instrument Panel, Gauges and Warning Indicators

Parts and Labor (itype_189)

Labor

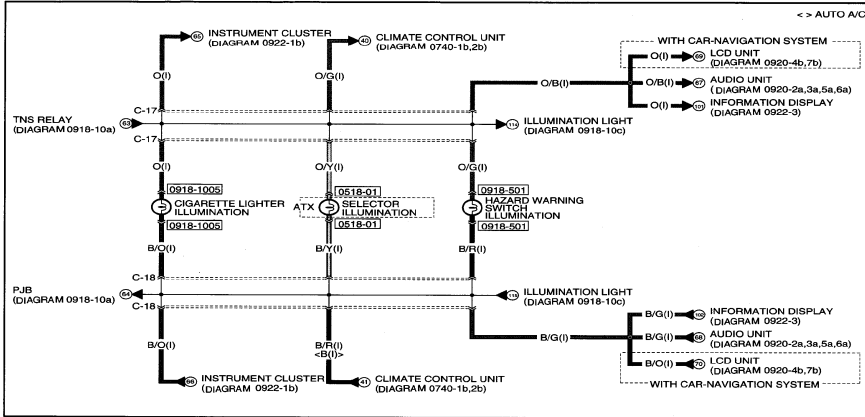
Operation	Qualifier Path	Skill	Std Hrs	Wty Hrs
Diagnose/Test	Mazda_diagnosis - Ihf	B	0.8	0.0



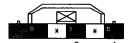
Instrument Panel Illumination (Article 1393425)



ILLUMINATION LIGHT

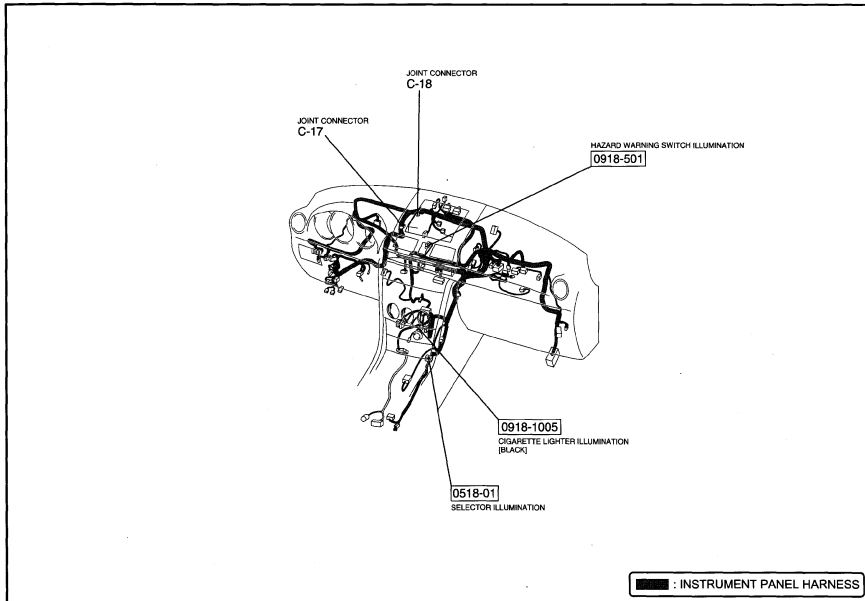
0918-10b

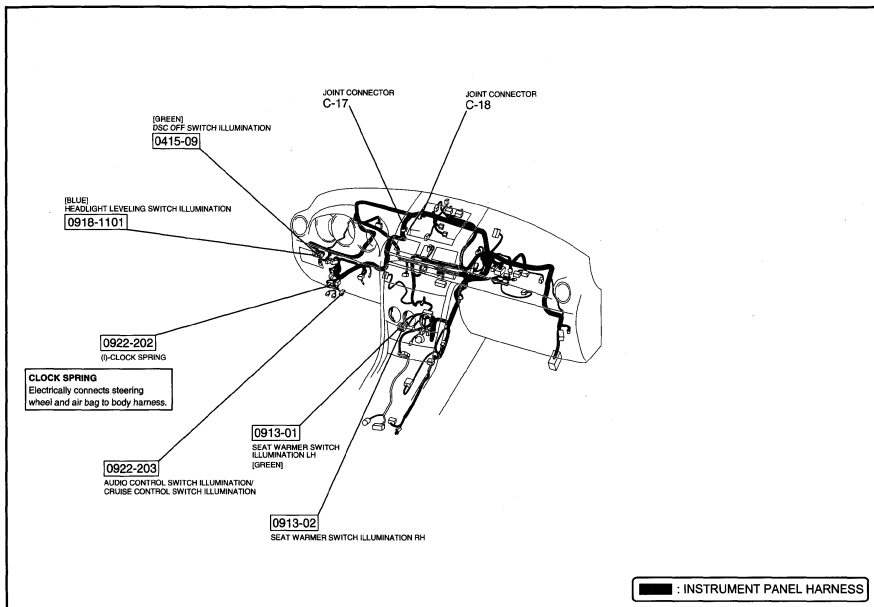
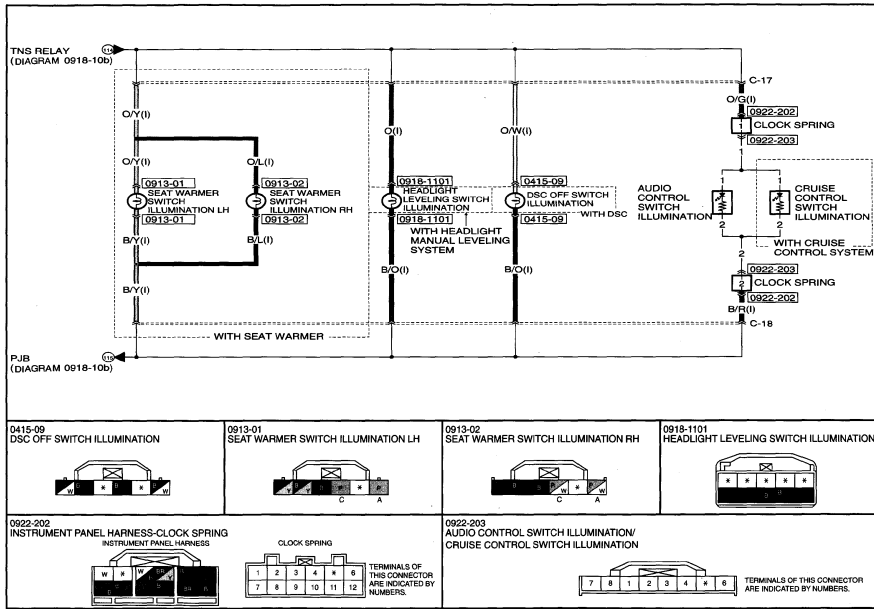


<p>0918-1005 CIGARETTE LIGHTER ILLUMINATION</p> 	<p>0518-01 SELECTOR ILLUMINATION</p> 	<p>0918-501 HAZARD WARNING SWITCH ILLUMINATION</p> 	

ILLUMINATION LIGHT

0918-10b





Instrument Cluster - Instrument Cluster Circuit (Article 10435)

Instrument Cluster - Instrument Cluster Circuit

Page 1 of 1

Instrument Cluster - Multi-Information System Circuit (Article 10586)

Instrument Cluster - Multi-Information System Circuit

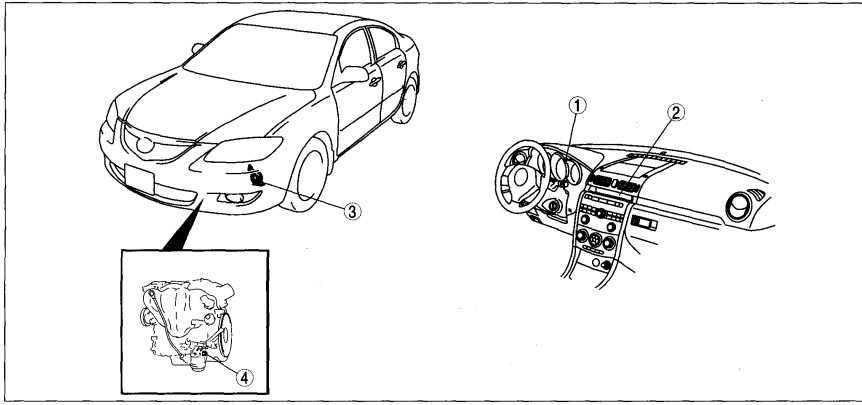
Page 1 of 1

Warning Systems - Chime Circuit (Article 16401)

Warning Systems - Chime Circuit

Page 1 of 1

Components (itype_32)



1	Instrument cluster
---	--------------------

2	Information display
3	Horn
4	Oil pressure switch

All New Technical Service Bulletins (itype_432)

Tsbs

- Speedometer Replacement Procedure (09-038/24, 2024/08/08)

All Technical Service Bulletins (itype_100)

Tsbs

- Speedometer Replacement Procedure (09-038/24, 2024/08/08)
- Interior - Crack Appears In Center Of Dash (0907009, 2009/11/12)
- Instruments - Ambient Temperature Display Incorrectly (0901009, 2009/03/03)
- Interior - Poor Upper Dash Surface Appearance (0903812, 2012/09/19)
- 09-018/17 - DISPLAY SHOWS INACCURATE AMBIENT TEMPERATURE (09-018/17, 2017/05/22)
- Instruments - Odometer Write Deletion On M-MDS (0103110, 2010/05/25)
- Tire Monitor System - Warning Lamp ON/Low Tire Pressure (0200112, 2012/01/11)
- Tire Monitor System - Service Precautions (0200410, 2010/03/24)
- Tire Monitor System - Service Precaution (0200311, 2011/06/23)
- Instruments - Info. Display Full Afetr Remote Start (MTIP-09-01-4, 2009/01/01)
- PASSENGER AIRBAG DEACTIVATION (PAD) INDICATOR LIGHT ILLUMINATION (08-001/19, 2019/01/10)
- Instruments - Configuring Odometer Data (0902508, 2008/08/29)
- Instruments - Ambient Temperature Display (0902308, 2008/08/08)
- Tire Monitor System - Can't Turn OFF/On Reprogram (MTIP-08-05-5, 2008/05/01)

Customer Interest Bulletins (itype_109)

Tsbs

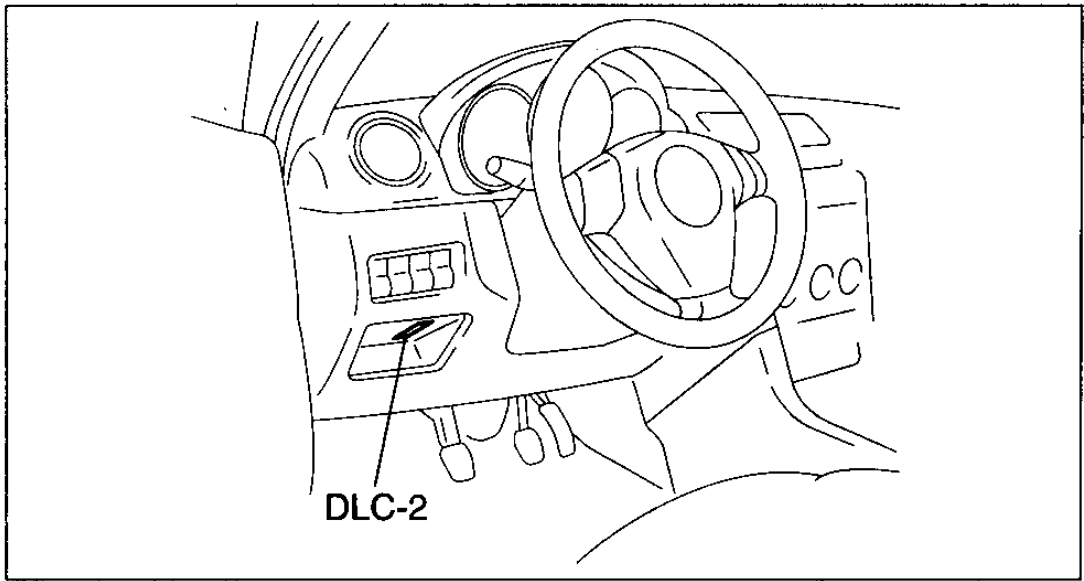
- Interior - Crack Appears In Center Of Dash (0907009, 2009/11/12)
- Instruments - Ambient Temperature Display Incorrectly (0901009, 2009/03/03)
- Tire Monitor System - Warning Lamp ON/Low Tire Pressure (0200112, 2012/01/11)
- Instruments - Ambient Temperature Display (0902308, 2008/08/08)

Repair Tips (itype_110)

Tsbs

- Interior - Poor Upper Dash Surface Appearance (0903812, 2012/09/19)
- Instruments - Odometer Write Deletion On M-MDS (0103110, 2010/05/25)
- Instruments - Configuring Odometer Data (0902508, 2008/08/29)
- Tire Monitor System - Service Precautions (0200410, 2010/03/24)
- Tire Monitor System - Service Precaution (0200311, 2011/06/23)
- Tire Monitor System - Can't Turn OFF/On Reprogram (MTIP-08-05-5, 2008/05/01)
- Instruments - Info. Display Full Afetr Remote Start (MTIP-09-01-4, 2009/01/01)

PID/Data Monitor Inspection (Article 1413420)



am3zzw0000192

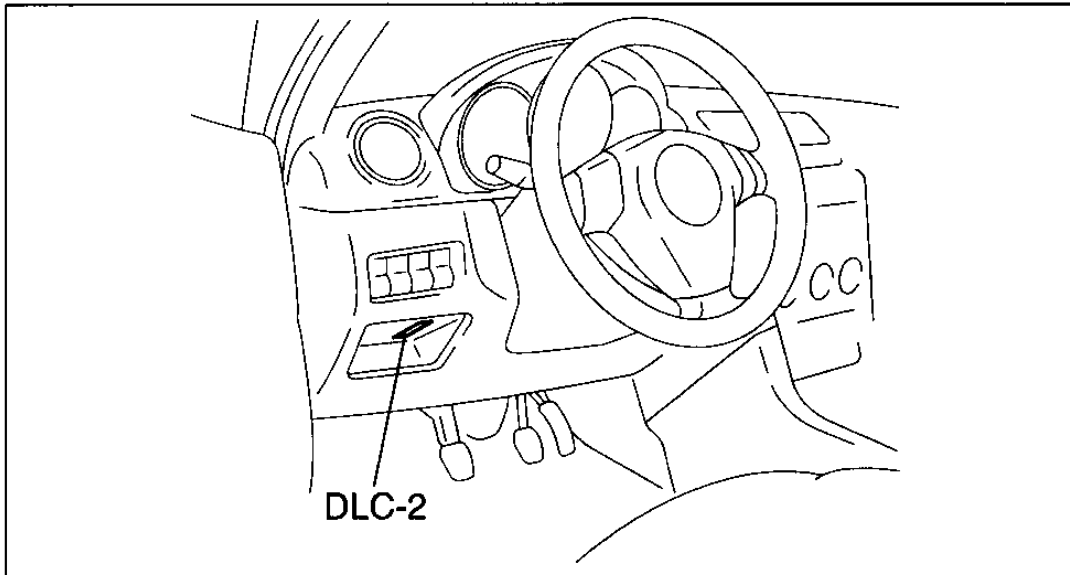
PID/Data Monitor Table (Article 1413418)

PID/DATA MONITOR TABLE [INSTRUMENT CLUSTER]

id0902e8345900

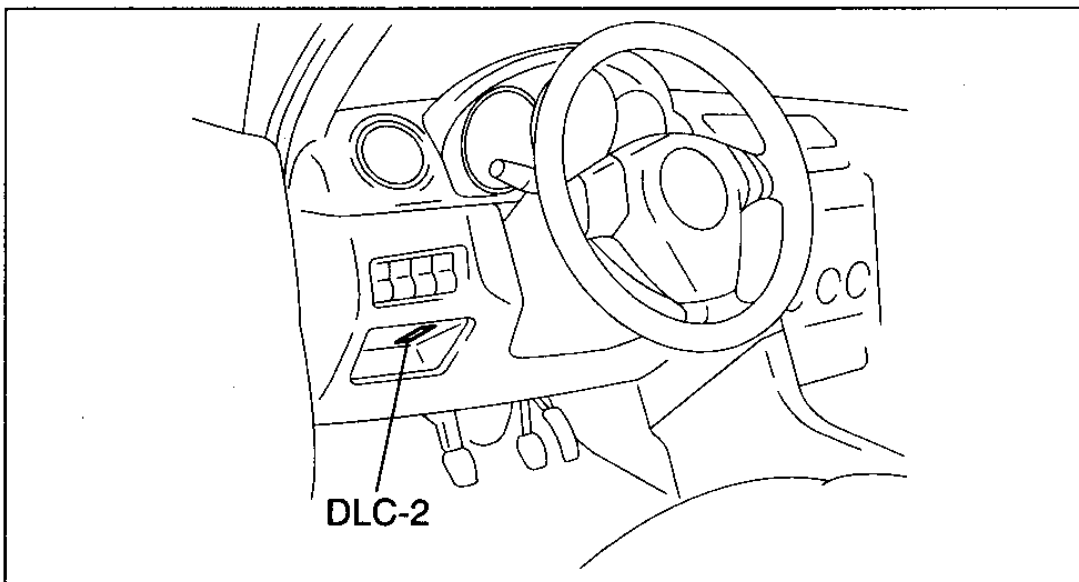
Monitor item	Input-output signal/part name	Unit/State		Terminal
CCNT_HE	Number of continuous DTCs	—		—
ECT_GAUGE	Water temperature gauge	°F	°C	1I, 1K
NUMKEYS	Number of key ID numbers registered with the vehicle	—		—
ODO COUNT	Odometer	m		1I, 1K
TACH	Tachometer	RPM		
SPDOMETER	Speedometer	MPH	KPH	

Clearing Diagnostic Trouble Codes (Article 1413709)



am3zzw0000192

DTC Inspection (Article 1381132)



am3zzw0000192

Abnormal wear/deterioration (itype_122)

Tsbs

- Interior - Crack Appears In Center Of Dash (0907009, 2009/11/12)

Erratic Operation (itype_132)

Tsbs

- 09-018/17 - DISPLAY SHOWS INACCURATE AMBIENT TEMPERATURE (09-018/17, 2017/05/22)

Tools and Equipment (itype_113)

Tsbs

- Instruments - Odometer Write Deletion On M-MDS (0103110, 2010/05/25)