

Component Procedures: Blower Motor Resistor

Table of Contents

1. Parts and Labor (itype_189)
2. Removal and Replacement (itype_401)
3. Resistor Inspection (Article 1370033)

Component Procedures: Blower Motor Resistor

Parts and Labor (itype_189)

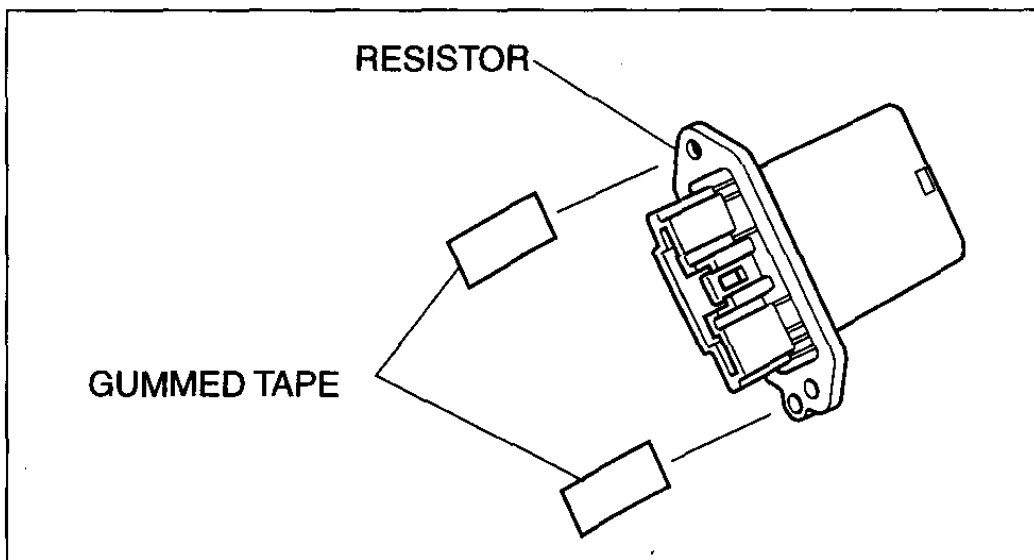
Parts

Qualifier	Part #	Name	Price	Note
Resistor > Without AC	BVTB61B15	Resistor	44.33	
Resistor > With AC > Without?	BN8P61B15	Resistor	41.57	
Resistor > With AC > With ATC	BP4M61B15	Resistor	157.55	

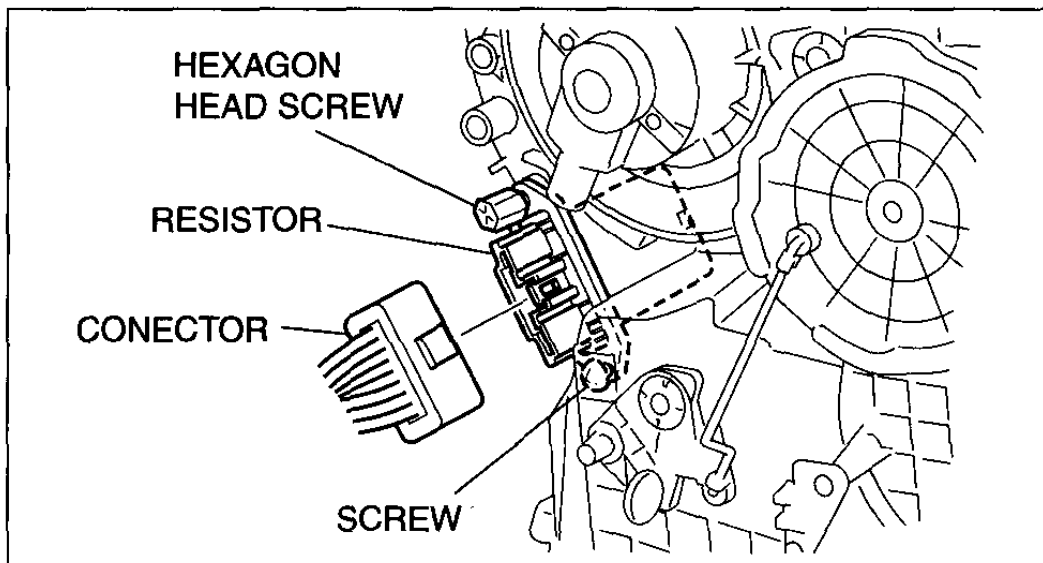
Labor

Operation	Qualifier Path	Skill	Std Hrs	Wty Hrs
Replace	Resistor, R&R	B	4.2	3.2

Removal and Replacement (itype_401)



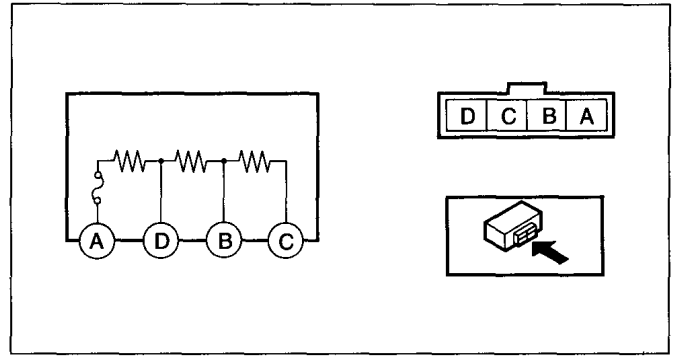
am3zzw0000075



am3uuw0000062

Resistor Inspection (Article 1370033)

Terminal	Resistance (ohm)
A—D	0.27—0.30
A—B	1.30—1.49
A—C	2.10—2.40



B3E0740W030