

Component Procedures: Power Window Switch

Table of Contents

1. Parts and Labor (itype_189)
2. Components (itype_32)
3. Power Window Main Switch Removal/Installation (Article 1366507)
4. Power Window Subswitch Removal/Installation (Article 1367575)
5. Power Window Main Switch Inspection (Article 1366506)
6. Power Window Subswitch Inspection (Article 1367576)

Component Procedures: Power Window Switch

Parts and Labor (itype_189)

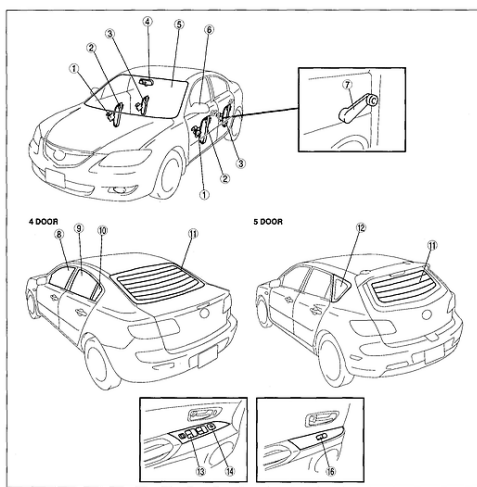
Parts

Qualifier	Part #	Name	Price	Note
Front Door > Window Switch >?	B32H66370	Window Switch	40.95	
Front Door > Window Switch >?	BN8F66350A	Window Switch	320.67	
Rear Door	B32H66370	Window Switch	40.95	

Labor

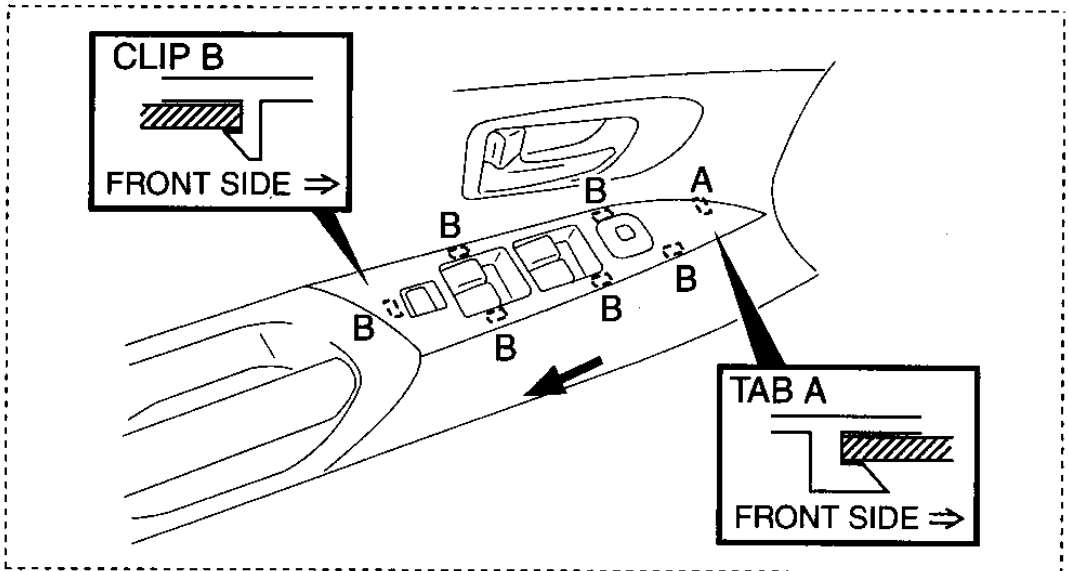
Operation	Qualifier Path	Skill	Std Hrs	Wty Hrs
Replace	Front Door > One	B	0.3	0.2
Replace	Rear Door > One	B	0.3	0.2

Components (itype_32)

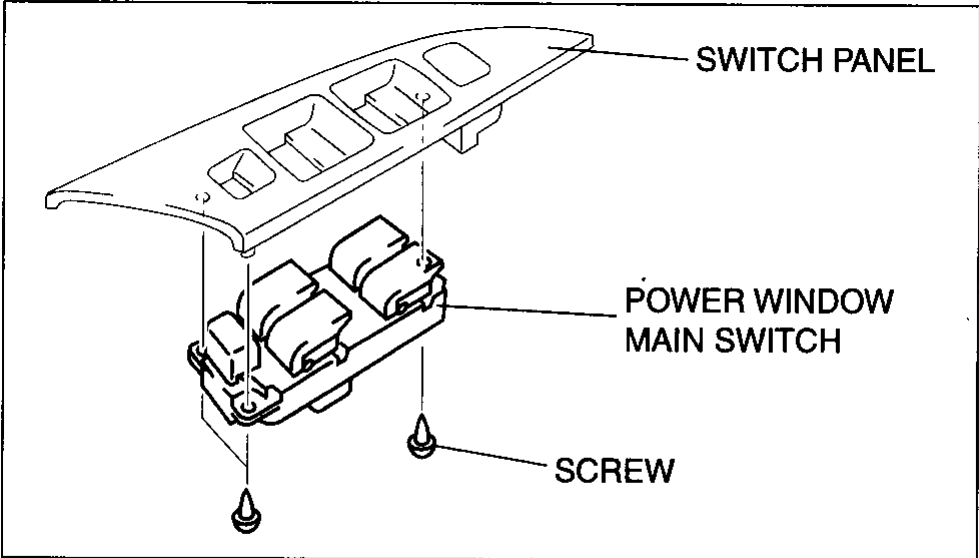


1 Power window motor	6 Power outer mirror
2 Power window regulator	7 Regulator handle
3 Rear window regulator	8 Front door glass
4 Rearview mirror	9 Rear door glass
5 Wipers/wiper	10 Rear door quarter glass
	11 Rear window glass
	12 Quarter window glass
	13 Power window retain switch
	14 Power outer mirror switches
	15 Power window subswitch

Power Window Main Switch Removal/Installation (Article 1366507)

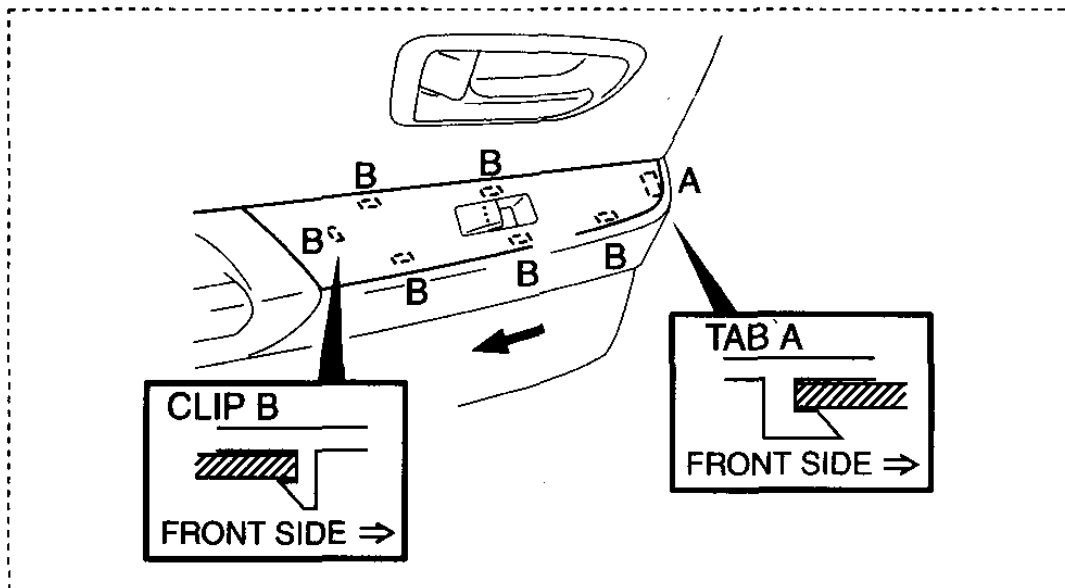


B3E0912W109

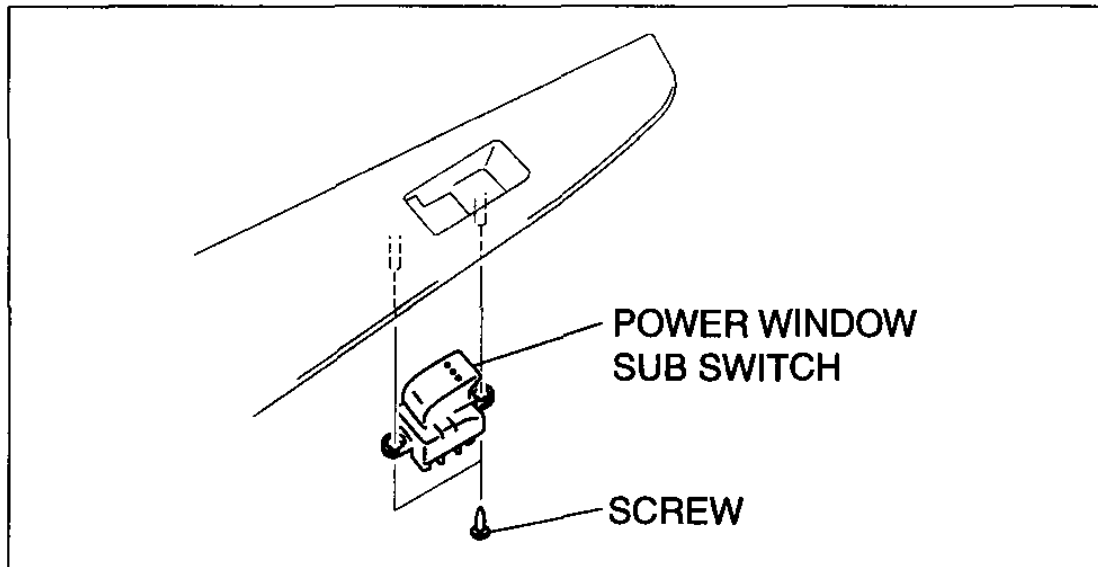


B3E0912W113

Power Window Subswitch Removal/Installation (Article 1367575)

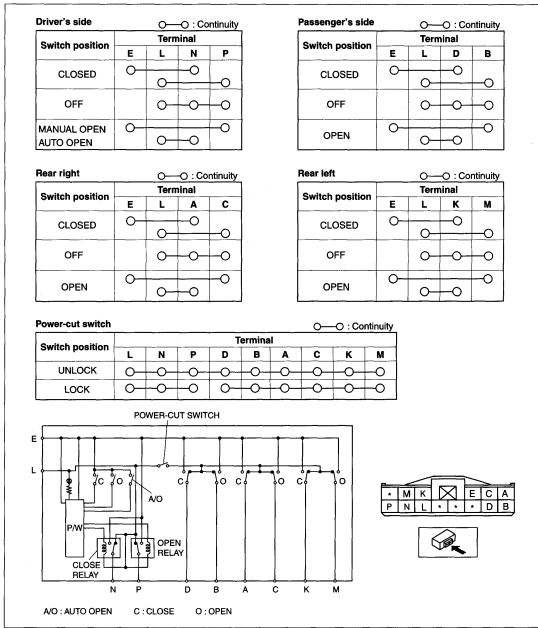


B3E0912W110



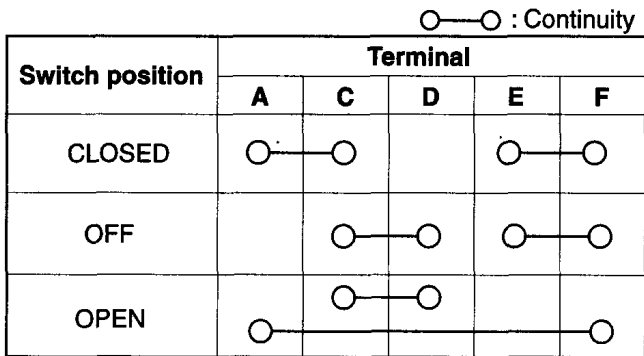
B3E0912W108

Power Window Main Switch Inspection (Article 1366506)

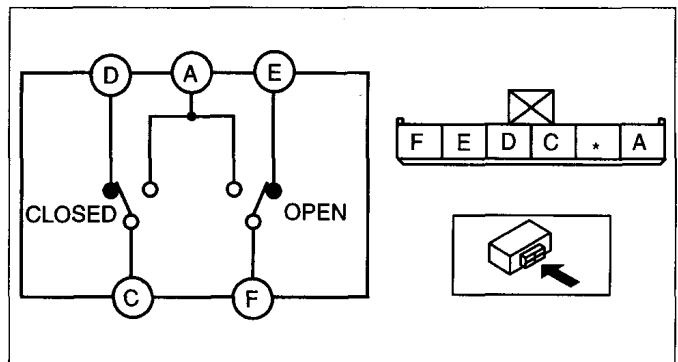


c3u0912w105

Power Window Subswitch Inspection (Article 1367576)



c3u0912w105



c3u0912w104