

Component Procedures: Navigation Module

Table of Contents

1. Parts and Labor (itype_189)
2. Components (itype_32)
3. Removal and Replacement (itype_401)

Component Procedures: Navigation Module

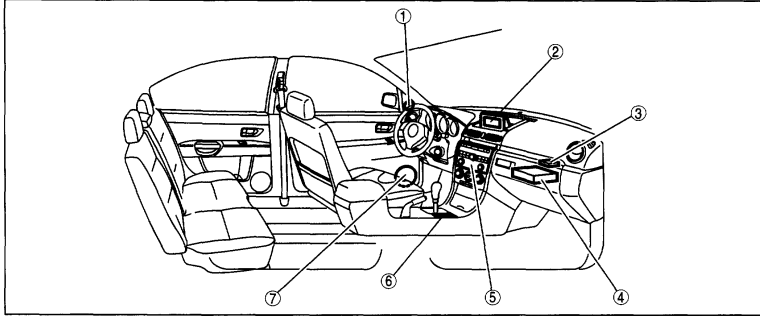
Parts and Labor (itype_189)

Parts

Qualifier	Part #	Name	Price	Note
Control Unit > From 1/1/06 t?	BR9L66DF0G	Control Unit	3028.30	
Control Unit > From 1/1/08	BR9L66DF0F	Control Unit	2800.09	

Components (itype_32)

Car-navigation System



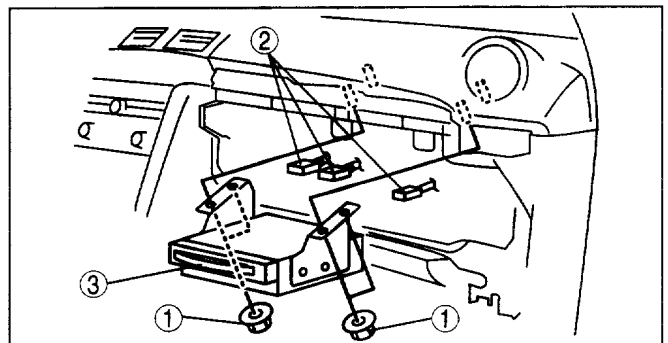
c3u0920w104

1	Front tweeter
2	LCD unit
3	GPS antenna
4	Car-navigation unit

5	Center panel module
6	Car-navigation control switch
7	Front door speaker

Removal and Replacement (itype_401)

1	Nut
2	Connector
3	Car-navigation unit



B3E0920W010