

# **Component Procedures: Heated Glass Element**

## **Table of Contents**

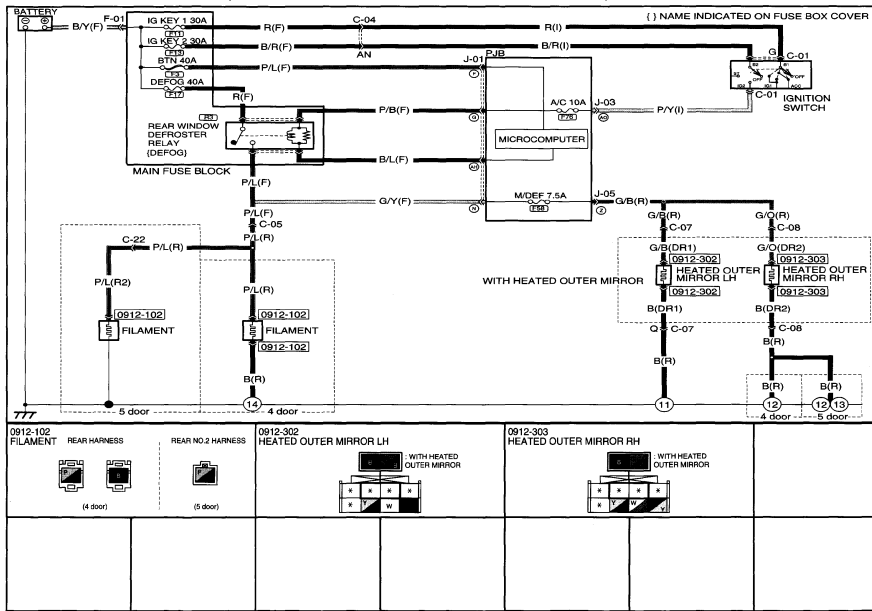
1. Electrical (OE) (itype\_21)
2. Procedures (itype\_376)
3. Filament Inspection (Article 1367573)

# Component Procedures: Heated Glass Element

## Electrical (OE) (itype\_21)

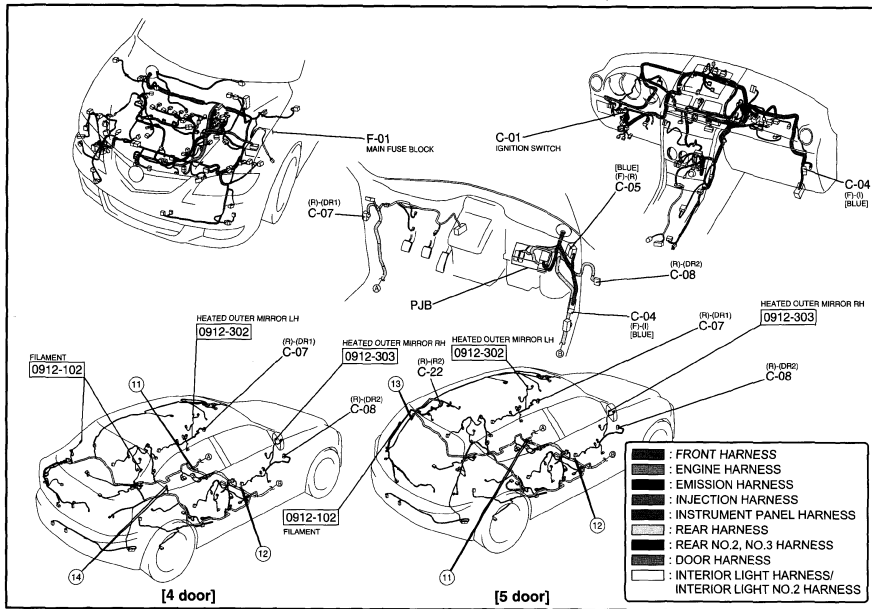
REAR WINDOW DEFROSTER (INCLUDES HEATED OUTER MIRROR INFORMATION)

0912-1

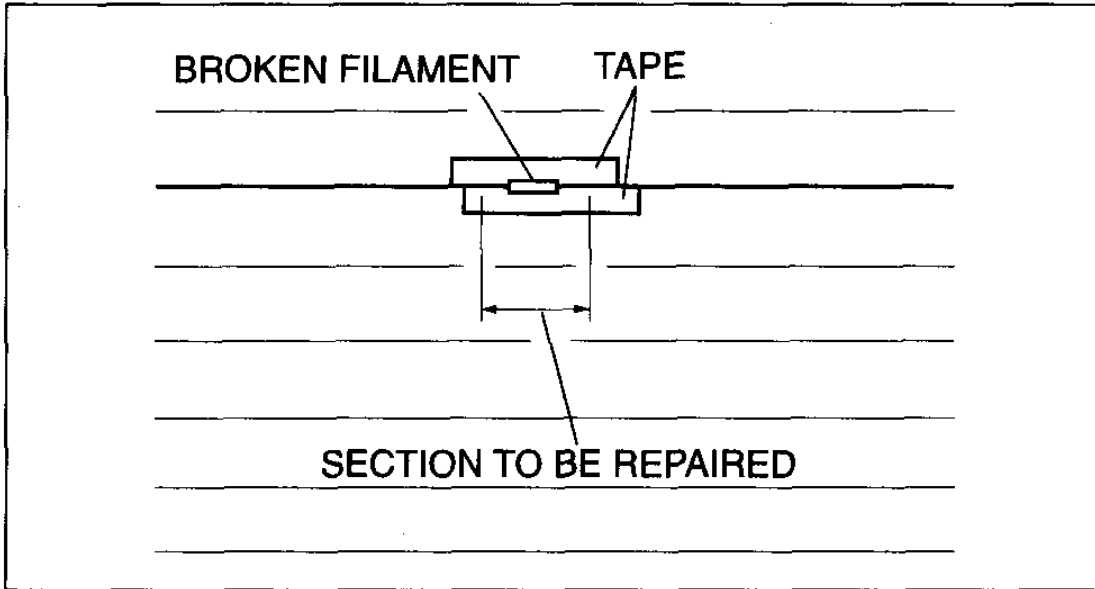


REAR WINDOW DEFROSTER (INCLUDES HEATED OUTER MIRROR INFORMATION)

0912-1

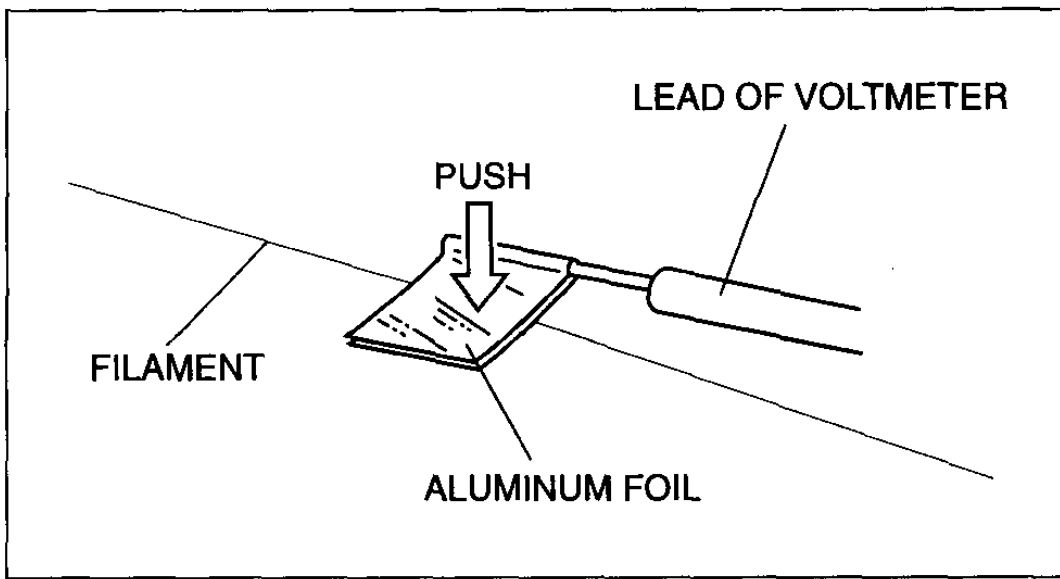


## Procedures (itype\_376)



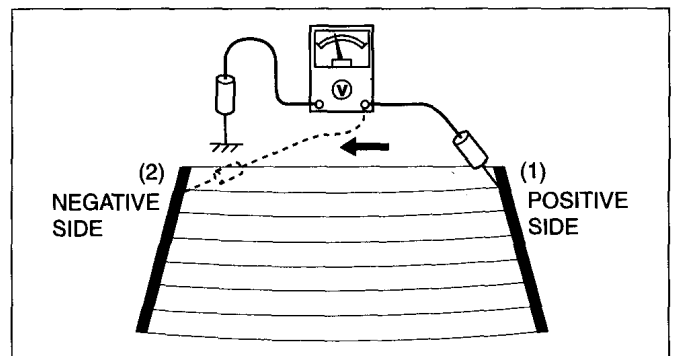
A6E7736W003

Filament Inspection (Article 1367573)



am3uuw0000136

Measured part	Voltage (Reference)
(1) to (2)	Approx. 12 V to 0 V



A6E7736W002