

Component Procedures: Seat Belt

Table of Contents

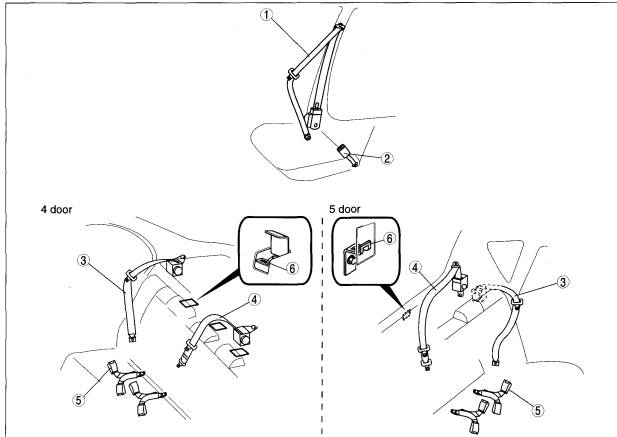
1. Components (itype_32)
2. Seat Belt (Article 1391760)
3. Component Tests and General Diagnostics (itype_383)

Component Procedures: Seat Belt

Components (itype_32)

LOCATION INDEX

428110080200



ESJ811ZV6005

1	Front seat belt
2	Front buckle
3	Rear seat belt

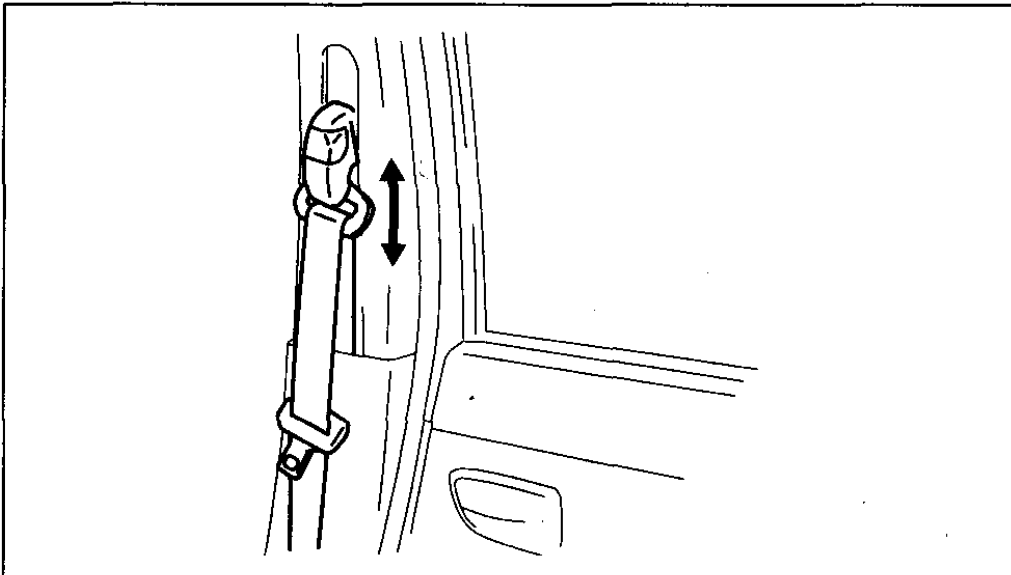
4	Rear center seat belt
5	Rear buckle
6	Child-restraint seat anchor

Seat Belt (Article 1391760)

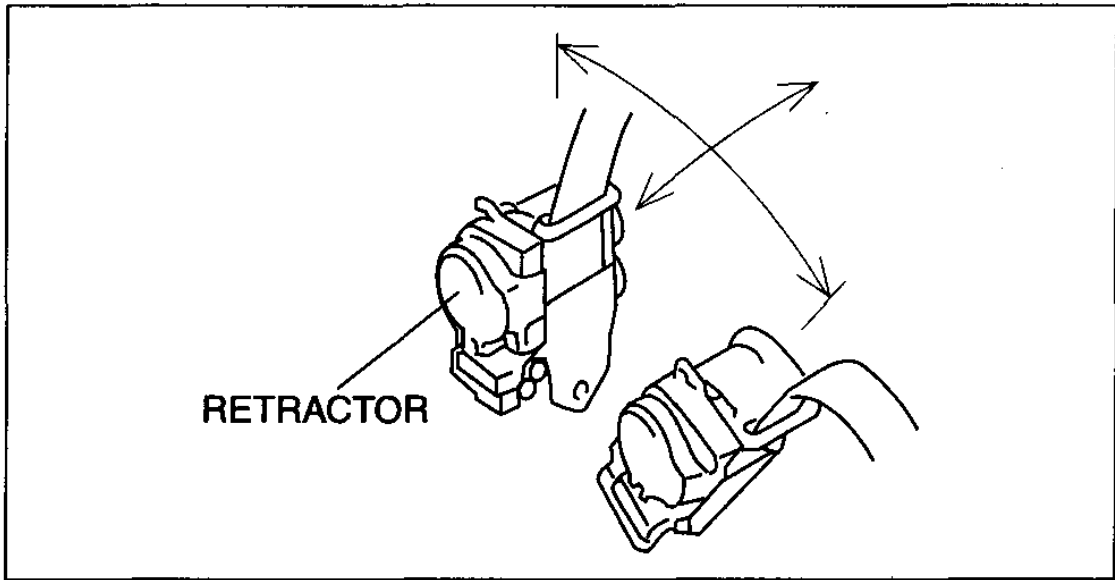
Non Standards

- Front (1391761)
- Rear (1391762)
- Rear Centre (1391791)

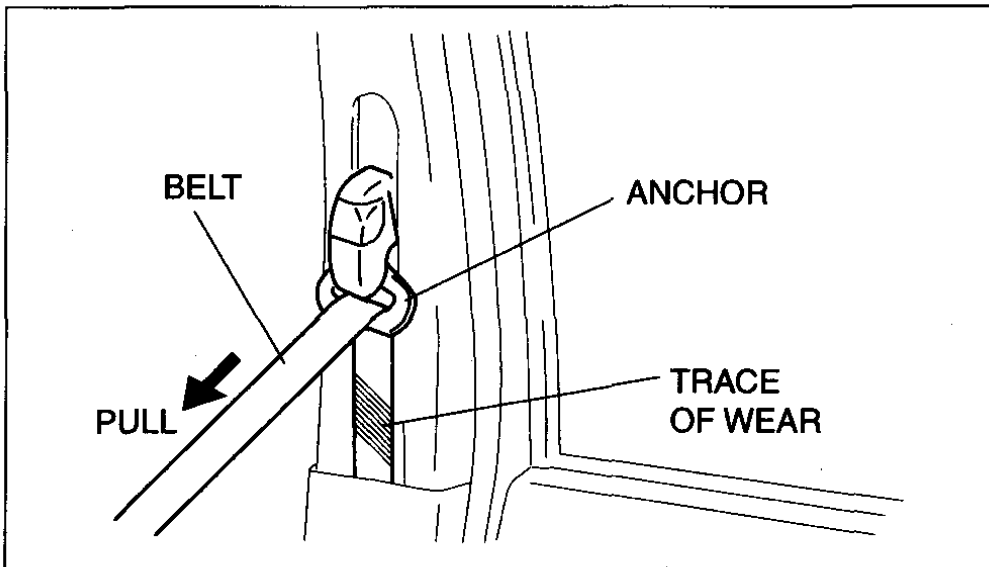
Component Tests and General Diagnostics (itype_383)



B3E0811W011



B3E0811W009



B3E0811W010