

Component Procedures: Air Bag

Table of Contents

1. Parts and Labor (itype_189)
2. Components (itype_32)
3. Procedures (itype_376)
4. Driver-Side Air Bag Module (Article 1391664)
5. Passenger-Side Air Bag Module (Article 1391665)
6. Electrical / Mechanical Repair (itype_413)

Component Procedures: Air Bag

Parts and Labor (itype_189)

Parts

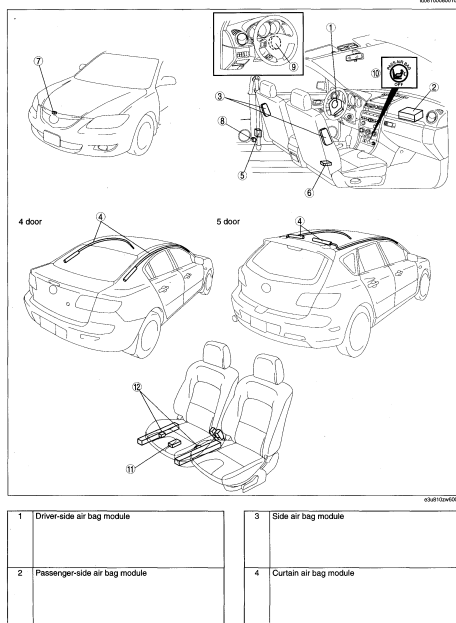
Qualifier	Part #	Name	Price	Note
Driver Inflator Module	BN8P57K00	Driver Inflator Module	795.19	
Passenger Inflator Module	BP4K57K50E	Passenger Inflator Mod?	838.83	
Inflator Curtain > 4 Door > ?	BN8W57KM0	Inflator Curtain	830.60	
Inflator Curtain > 4 Door > ?	BN8W57KN0	Inflator Curtain	844.13	
Inflator Curtain > 5 Door > ?	BP6L57KM0A	Inflator Curtain	847.89	
Inflator Curtain > 5 Door > ?	BP6L57KN0A	Inflator Curtain	847.89	

Labor

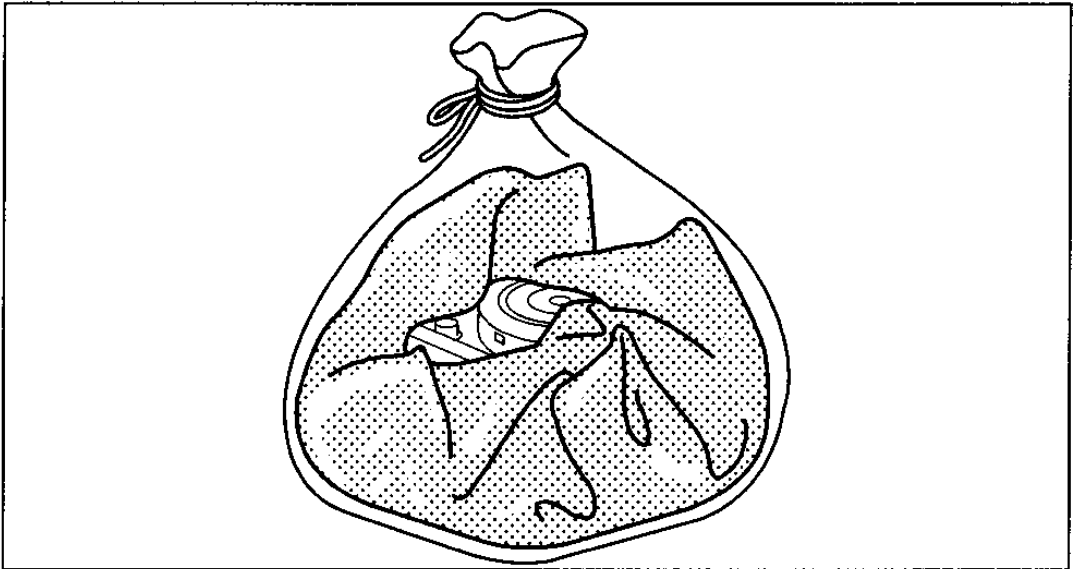
Operation	Qualifier Path	Skill	Std Hrs	Wty Hrs
Replace	Driver Inflator Module	B	0.4	0.3
Replace	Inflator Curtain > One Side	B	2.1	1.6
Replace	Inflator Curtain > Both Sides	B	2.5	1.8
Replace	Passenger Inflator Module	B	0.8	0.6

Components (itype_32)

LOCATION INDEX



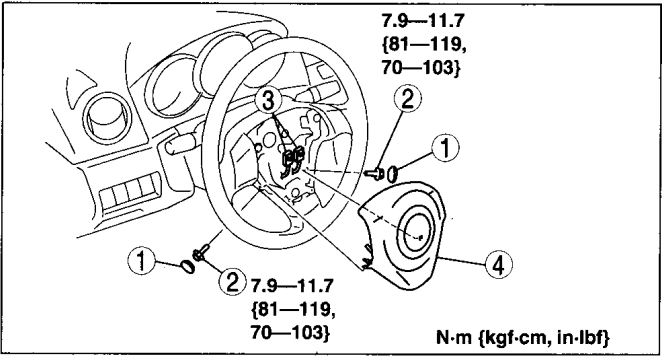
Procedures (itype_376)



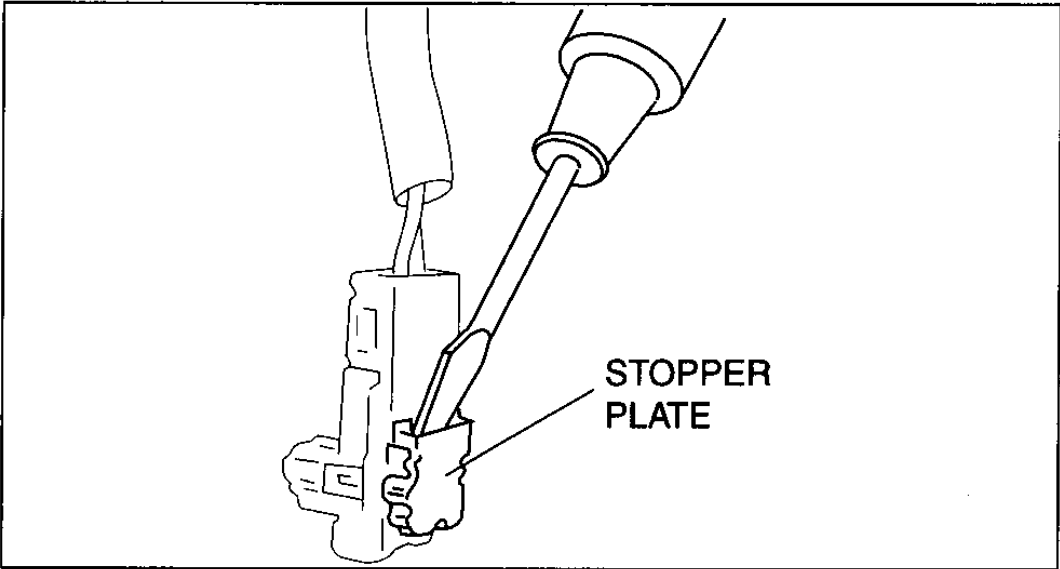
am3uuw0000135

Driver-Side Air Bag Module (Article 1391664)

1	Cover
2	Bolt
3	Connector
4	Driver-side air bag module

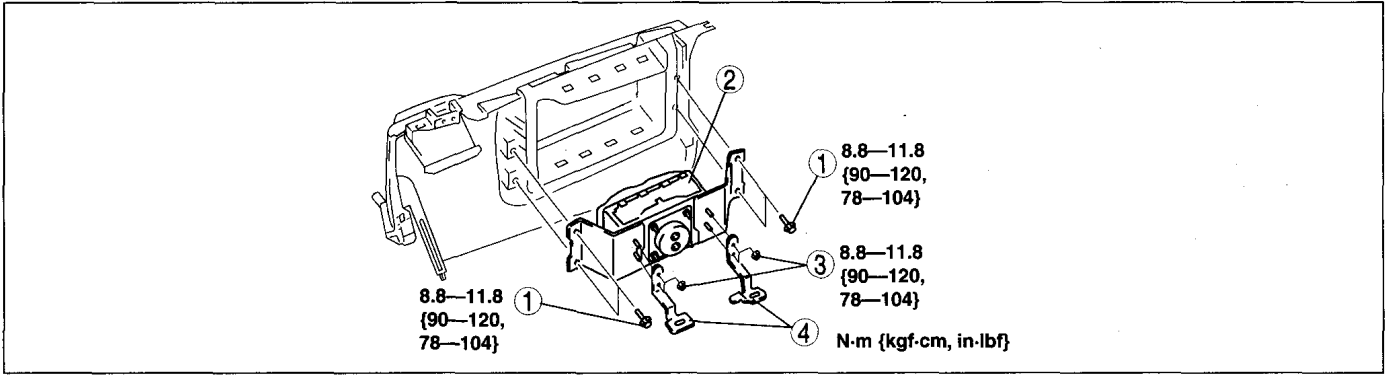


c3u0810w204



am3uuw0000081

Passenger-Side Air Bag Module (Article 1391665)

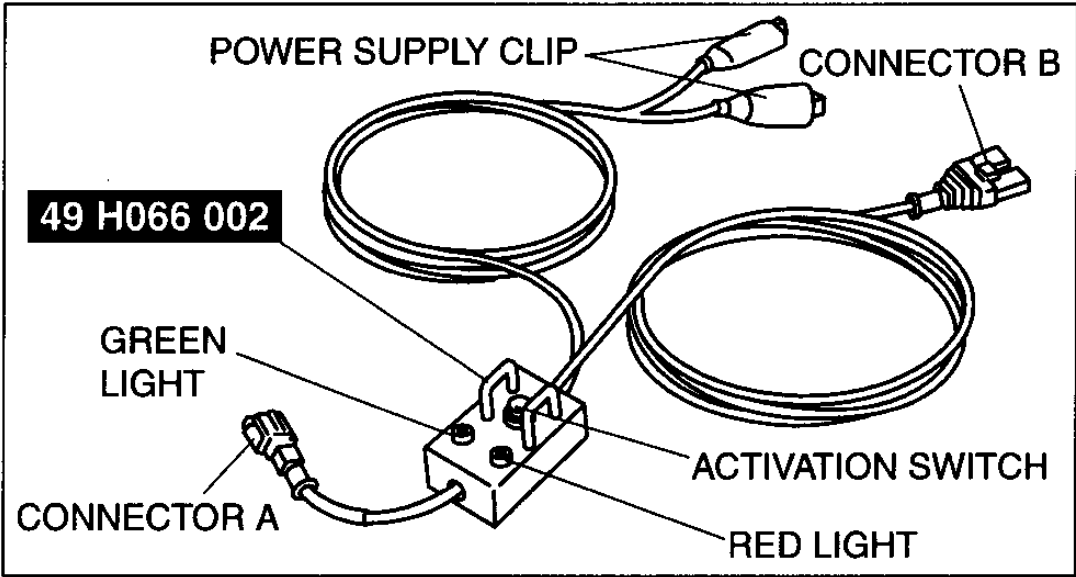


B3E0810W005

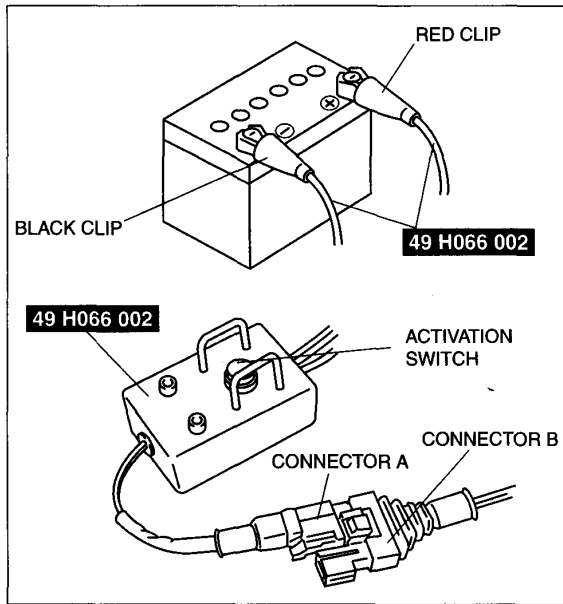
1	Bolt
2	Passenger-side air bag module

3	Nut
4	Bracket

Electrical / Mechanical Repair (itype_413)



am3uuw0000135



e5u810zw5050

Step	Inspection procedure	Light condition	
		Green	Red
1	Connect the power supply red clip to the positive battery terminal, and the black clip to the negative battery terminal.	On	Off
2	Connect connectors A and B.	Off	On
3	Press the activation switch.	On	Off