

Component Procedures: Impact Sensor

Table of Contents

1. Parts and Labor (itype_189)
2. Components (itype_32)
3. Crash Zone Sensor (Article 1390475)
4. Side Air Bag Sensor (Article 1390476)

Component Procedures: Impact Sensor

Parts and Labor (itype_189)

Parts

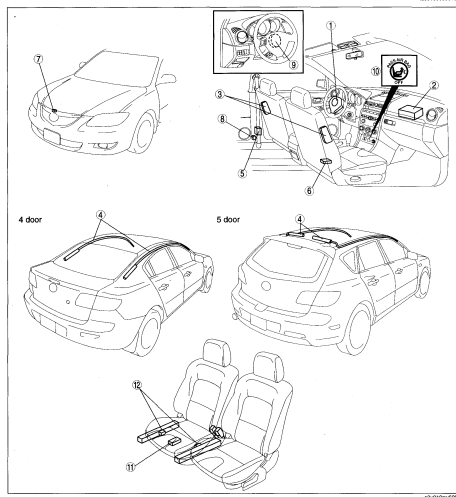
Qualifier	Part #	Name	Price	Note
Front Sensor	BP4K57K1XB	Front Sensor	135.58	
Side Sensor	BP4K57KC0	Side Sensor	195.81	

Labor

Operation	Qualifier Path	Skill	Std Hrs	Wty Hrs
Replace	Side Sensor > Side > One Side	B	0.4	0.3
Replace	Side Sensor > Side > Both Sides	B	0.5	0.4
Replace	Side Sensor > Zone	B	0.3	0.2

Components (itype_32)

LOCATION INDEX



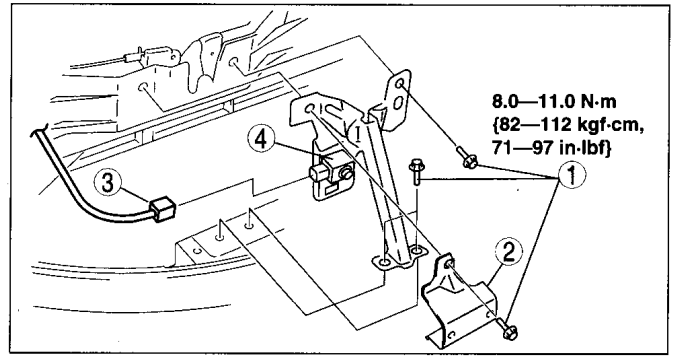
1 Driver-side air bag module	3 Side air bag module
2 Passenger-side air bag module	4 Curtain air bag module

5	Pre-tensioner seat belt
6	SAS control module
7	Crash zone sensor
8	Side air bag sensor

9	Clock spring
10	Passenger air bag deactivation (PAD) indicator
11	Seat weight sensor control module
12	Seat weight sensor

Crash Zone Sensor (Article 1390475)

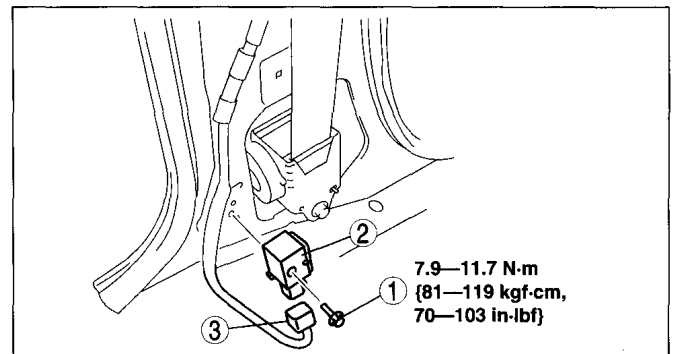
1	Bolt
2	Cover
3	Connector
4	Crash zone sensor



am3uuw000081

Side Air Bag Sensor (Article 1390476)

1	Bolt
2	Side air bag sensor
3	Connector



B3E0810W010