

# **Component Procedures: Air Bag Control Module**

## **Table of Contents**

1. Parts and Labor (itype\_189)
2. Components (itype\_32)
3. Air Bag Module and Pre-Tensioner Seat Belt Deployment Procedures (Article 1390128)
4. Removal and Replacement (itype\_401)
5. SAS Control Module Configuration (Article 1358562)

# Component Procedures: Air Bag Control Module

## Parts and Labor (itype\_189)

### Parts

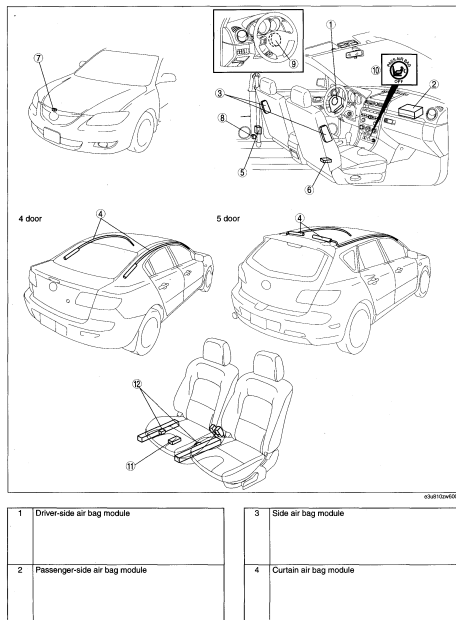
Qualifier	Part #	Name	Price	Note
SDM Module > Without Side Ai?	BR5S57K30C	Sdm Module	545.39	
SDM Module > With Side Air B?	BS4H57K30C	Sdm Module	552.24	

### Labor

Operation	Qualifier Path	Skill	Std Hrs	Wty Hrs
Replace	SDM Module	B	0.6	0.4

## Components (itype\_32)

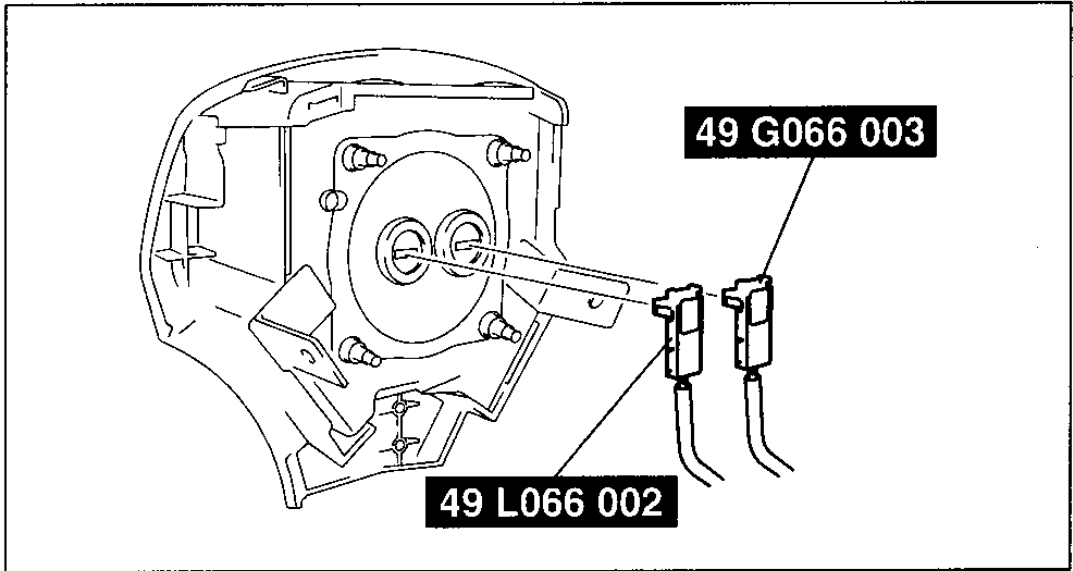
LOCATION INDEX



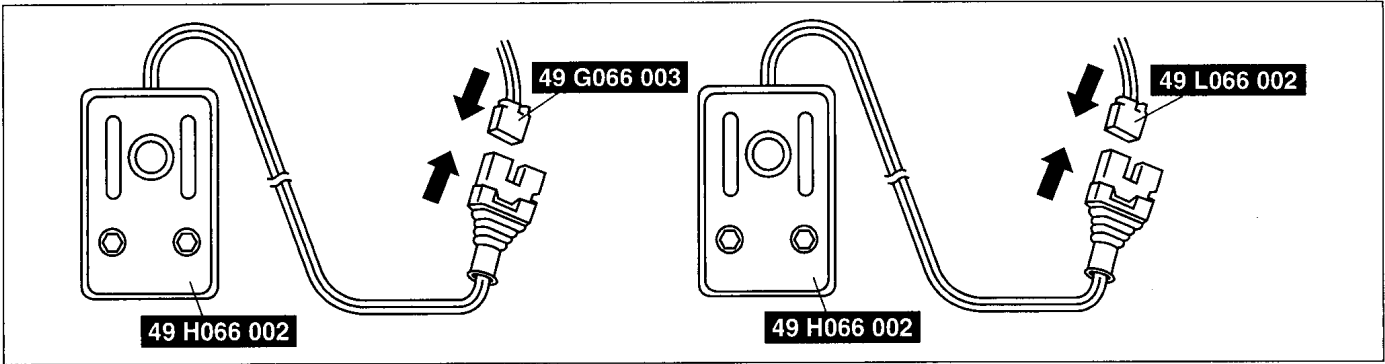
5	Pre-tensioner seat belt
6	SAS control module
7	Crash zone sensor
8	Side air bag sensor

9	Clock spring
10	Passenger air bag deactivation (PAD) indicator
11	Seat weight sensor control module
12	Seat weight sensor

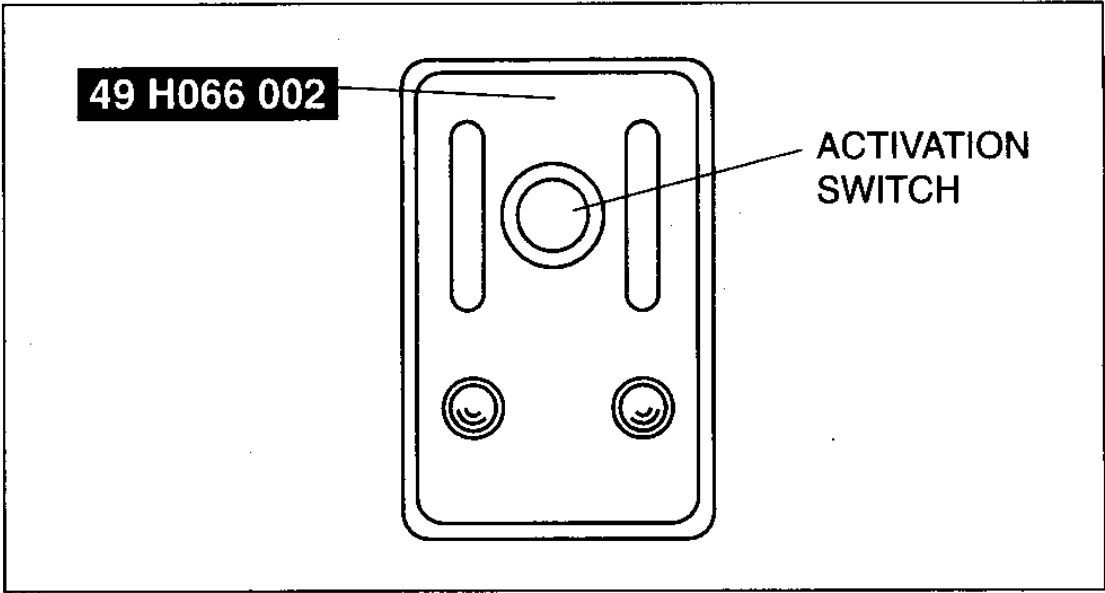
## Air Bag Module and Pre-Tensioner Seat Belt Deployment Procedures (Article 1390128)



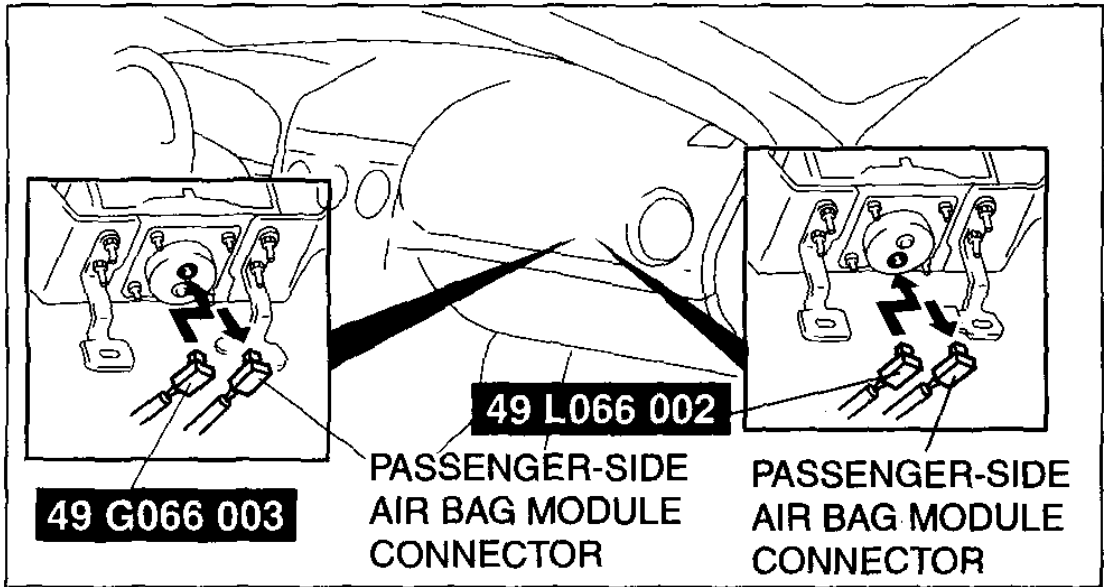
e3u810zw6008



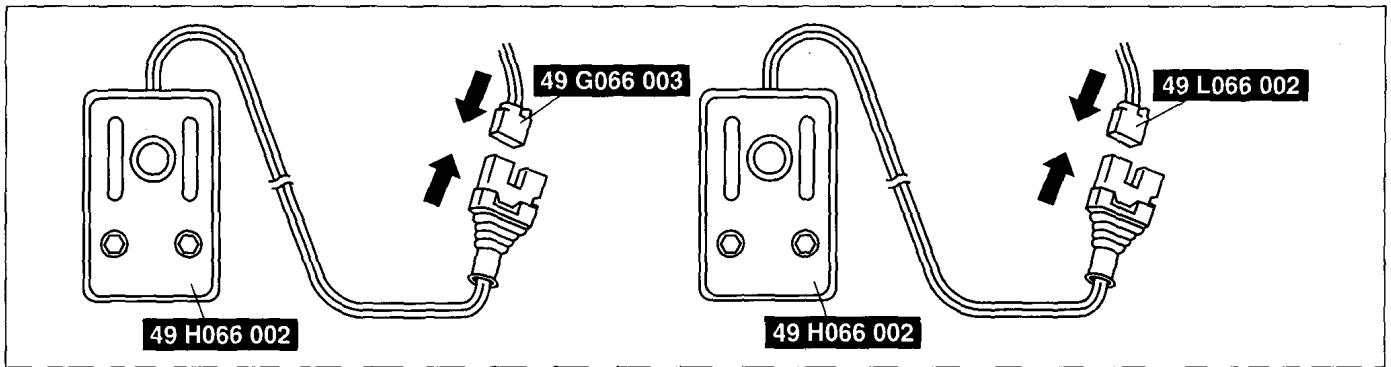
B3E0810W020



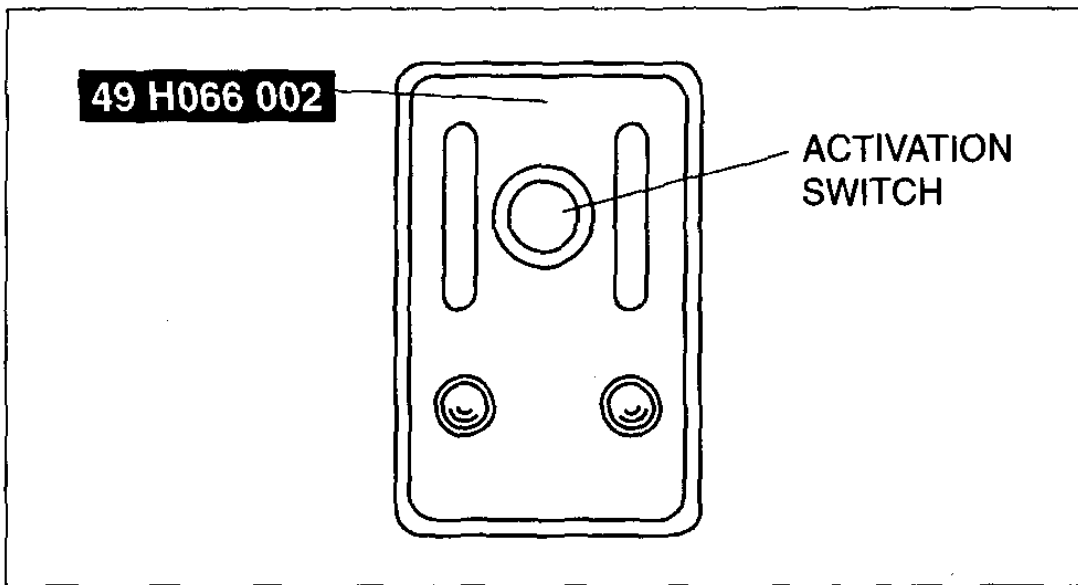
A6E8130W028



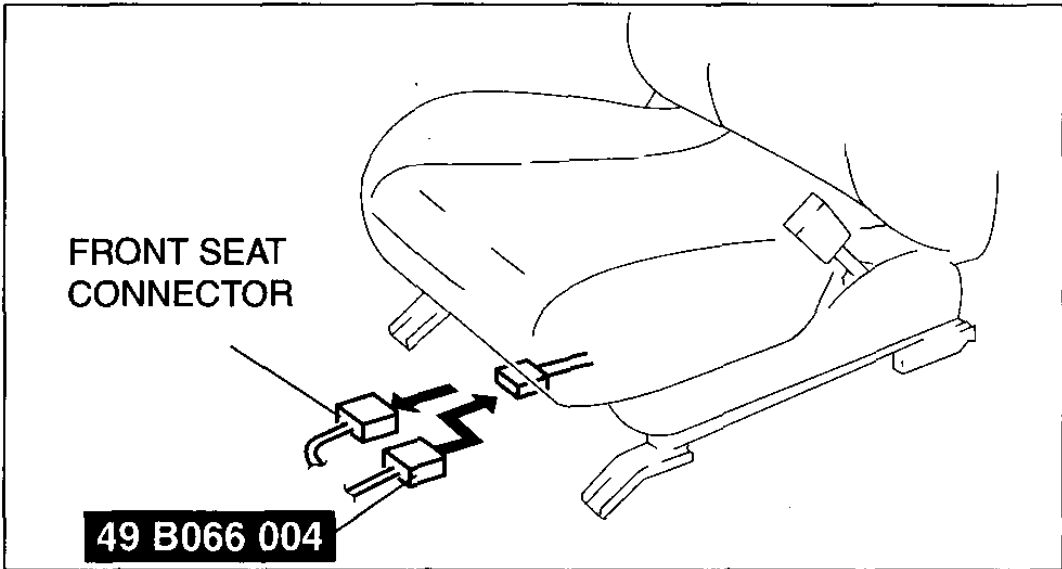
B3E0810W021



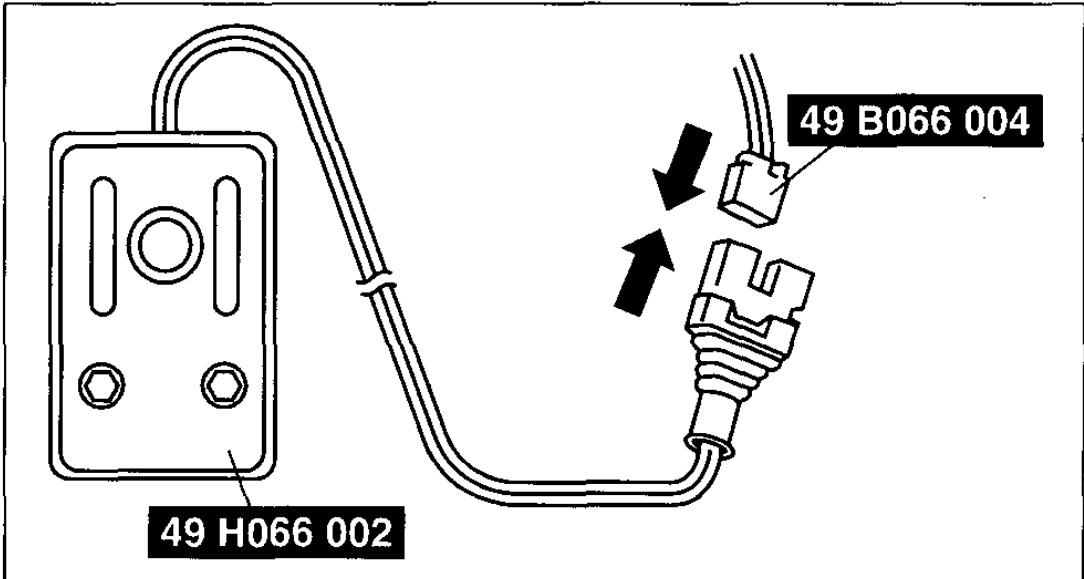
B3E0810W020



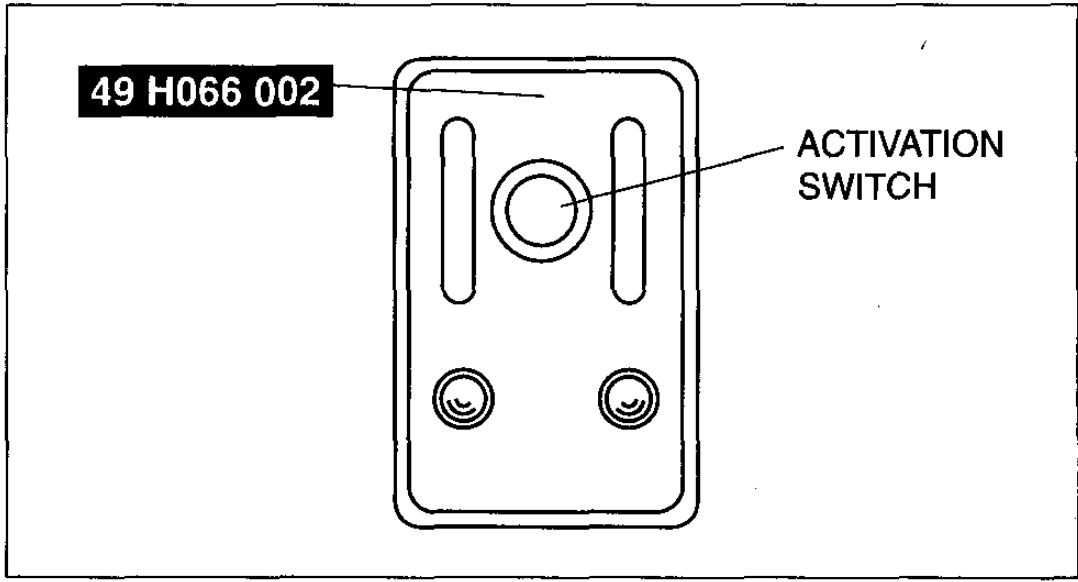
A6E8130W028



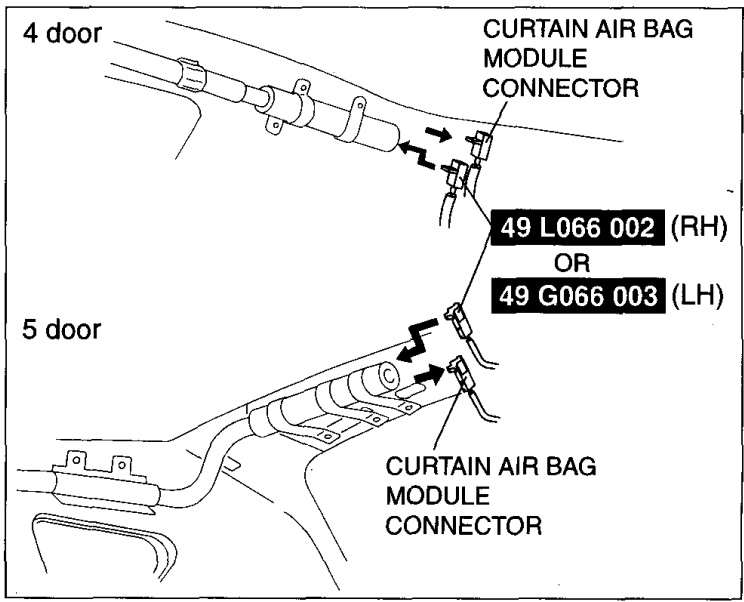
B3E0810W022



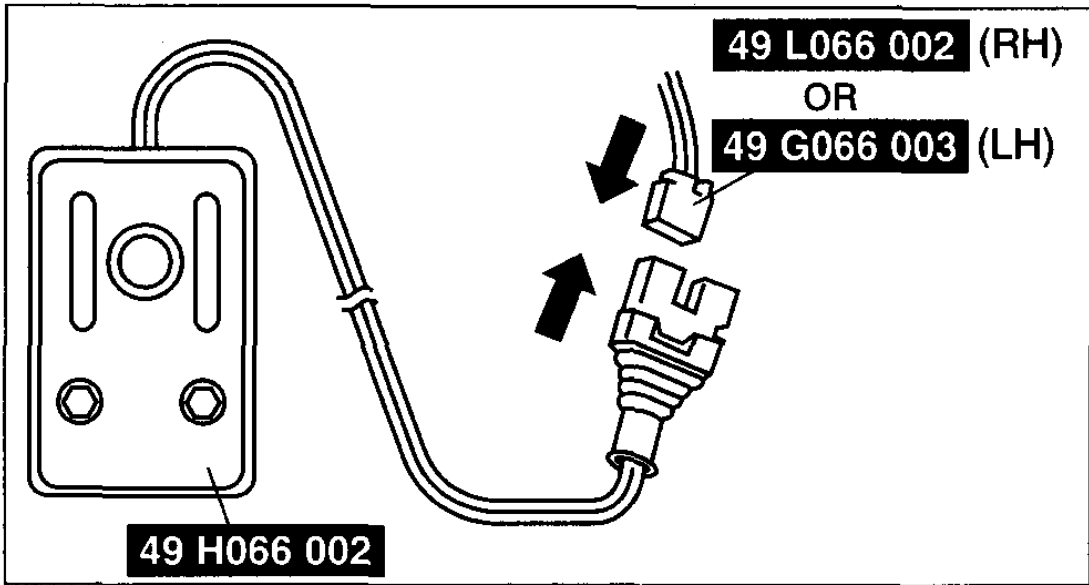
B3E0810W023



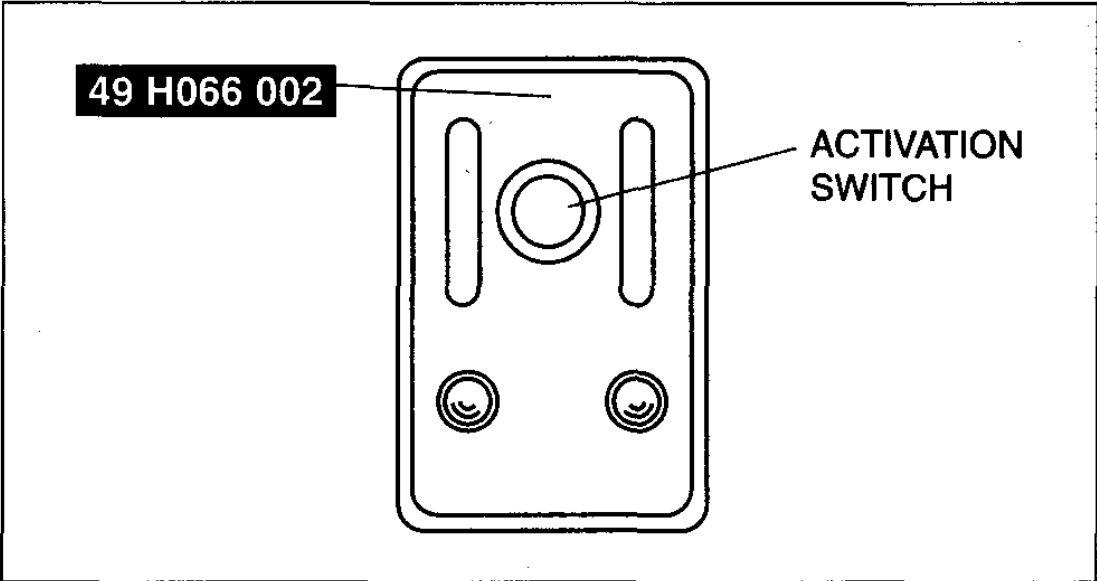
A6E8130W028



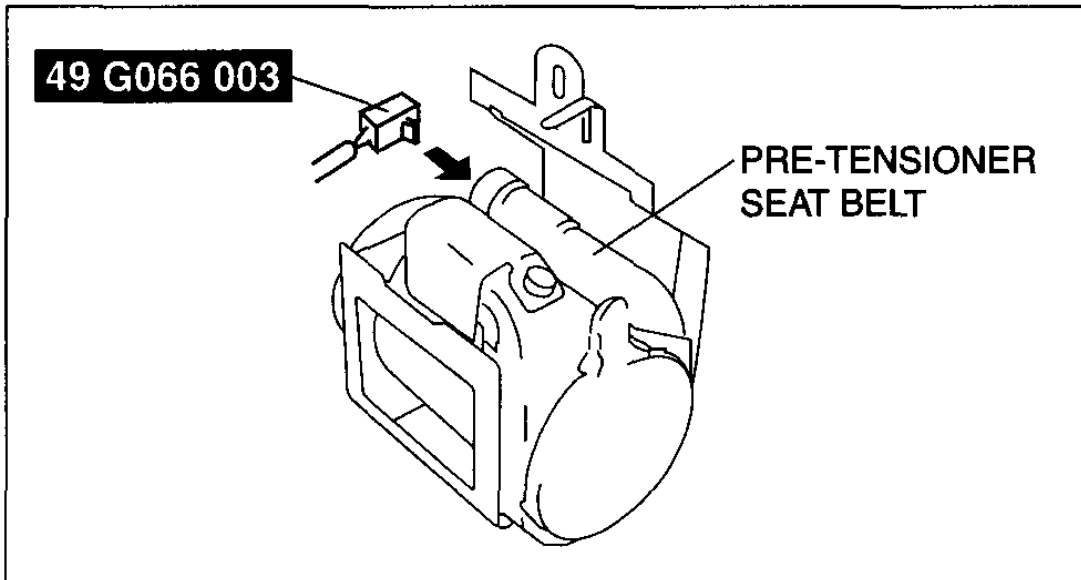
e3u810zw6009



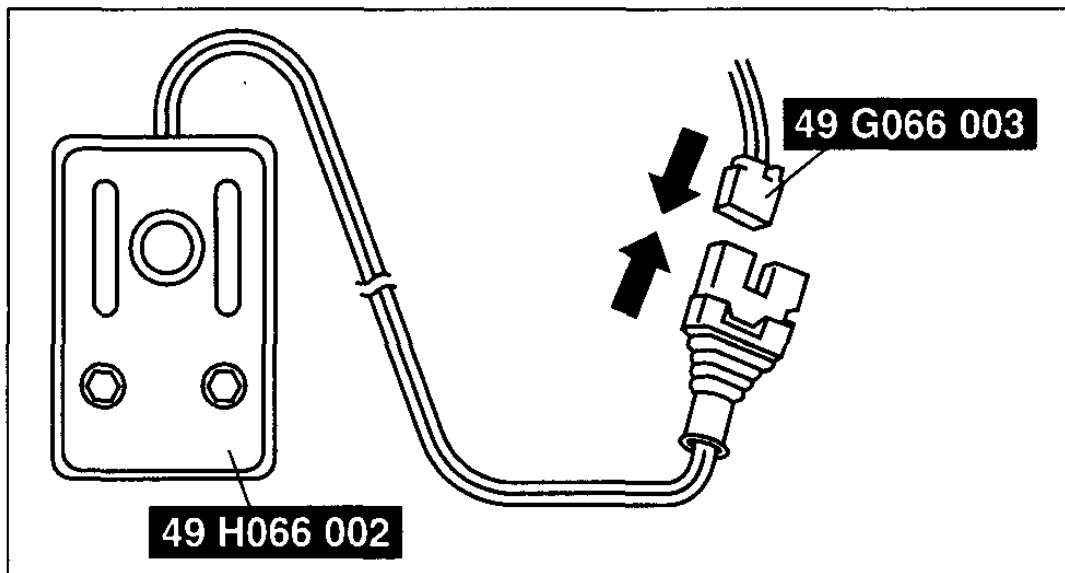
e3u810zw6016



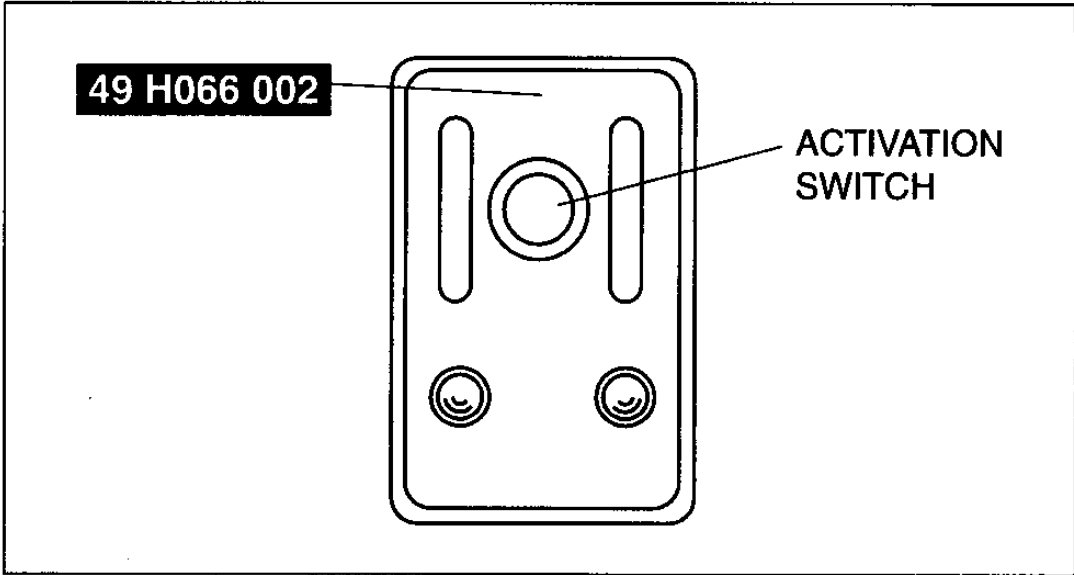
A6E8130W028



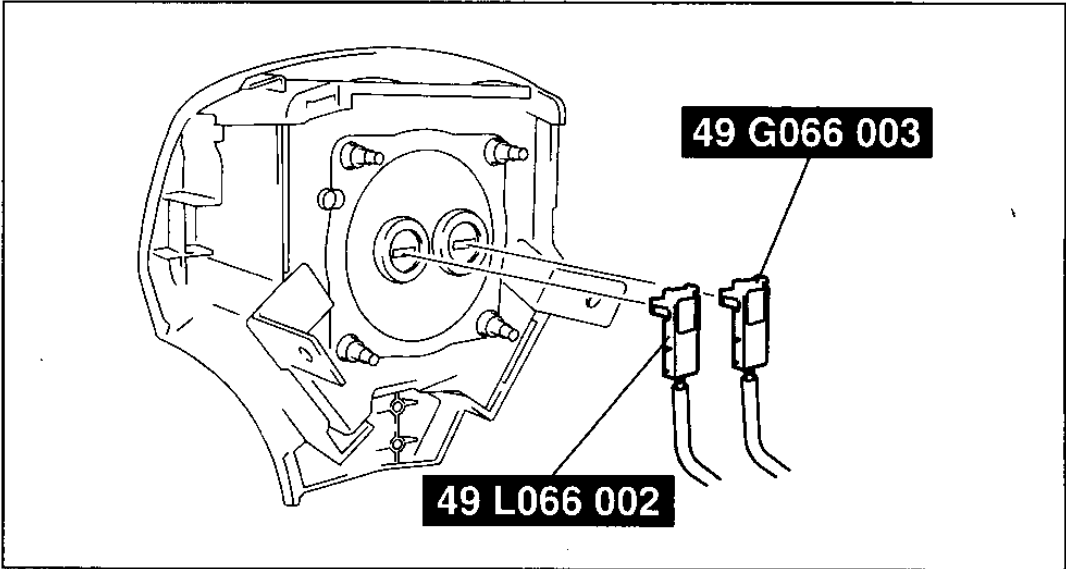
e3u810zw6010



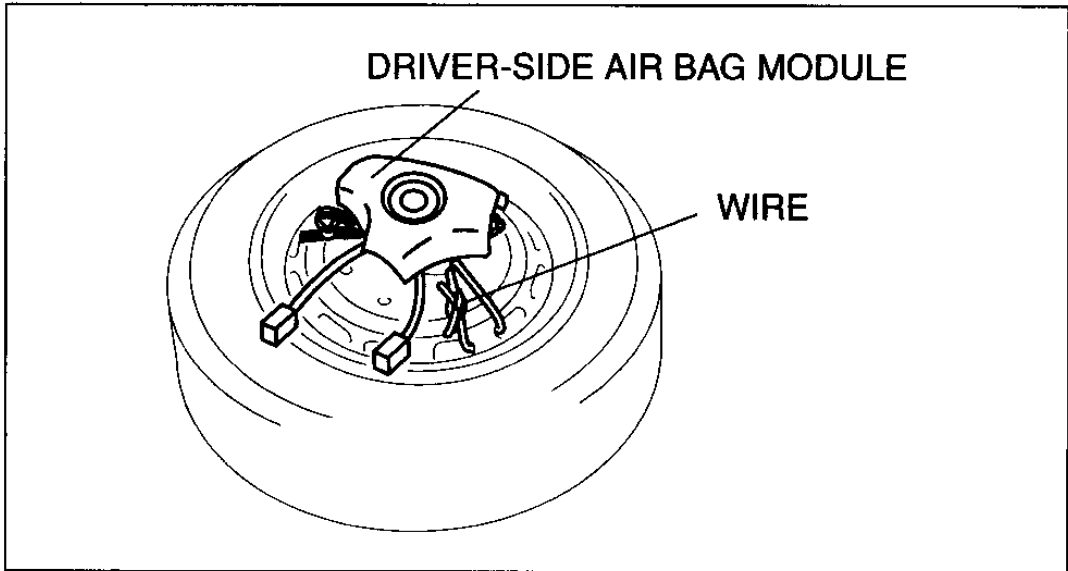
e3u810zw6011



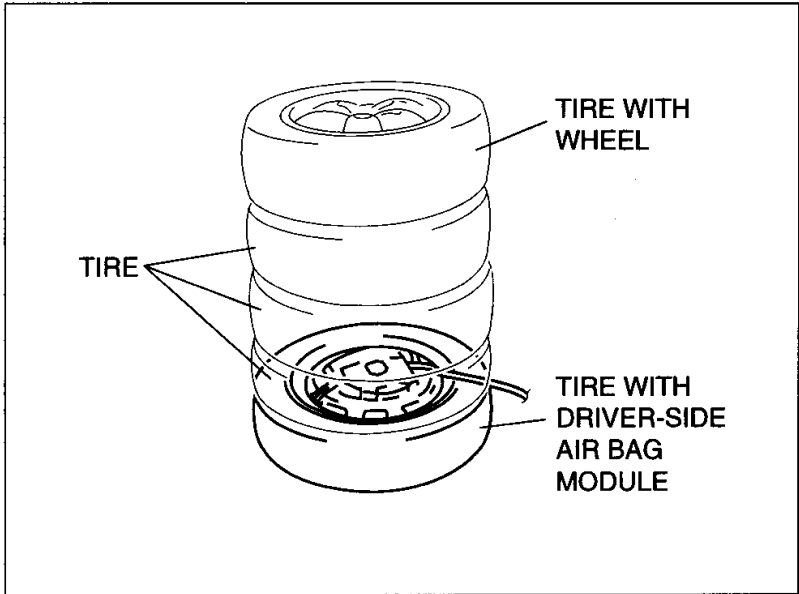
A6E8130W028



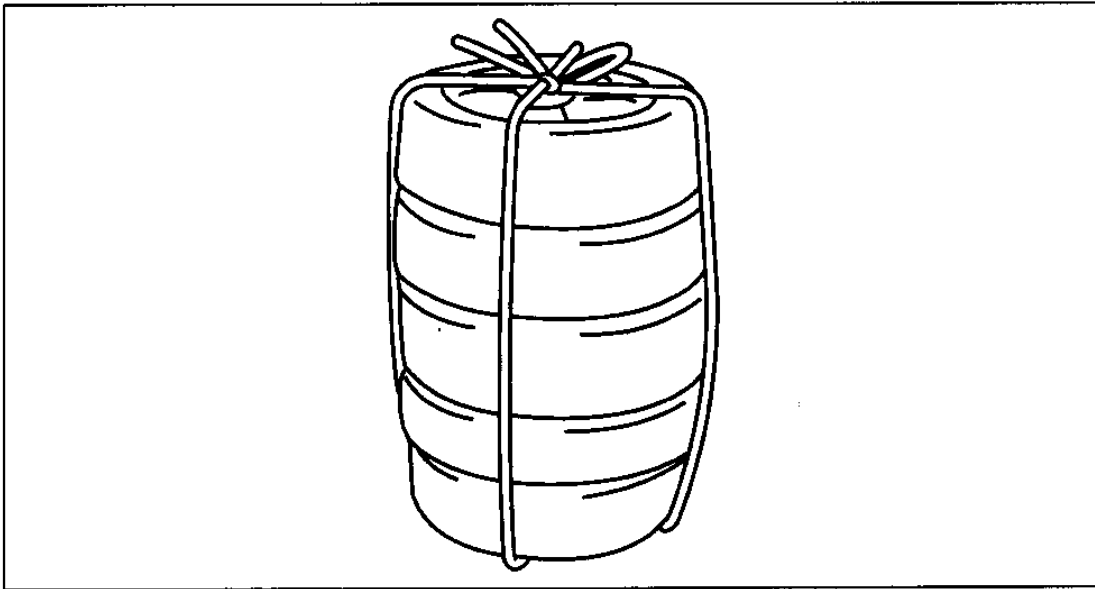
e3u810zw6008



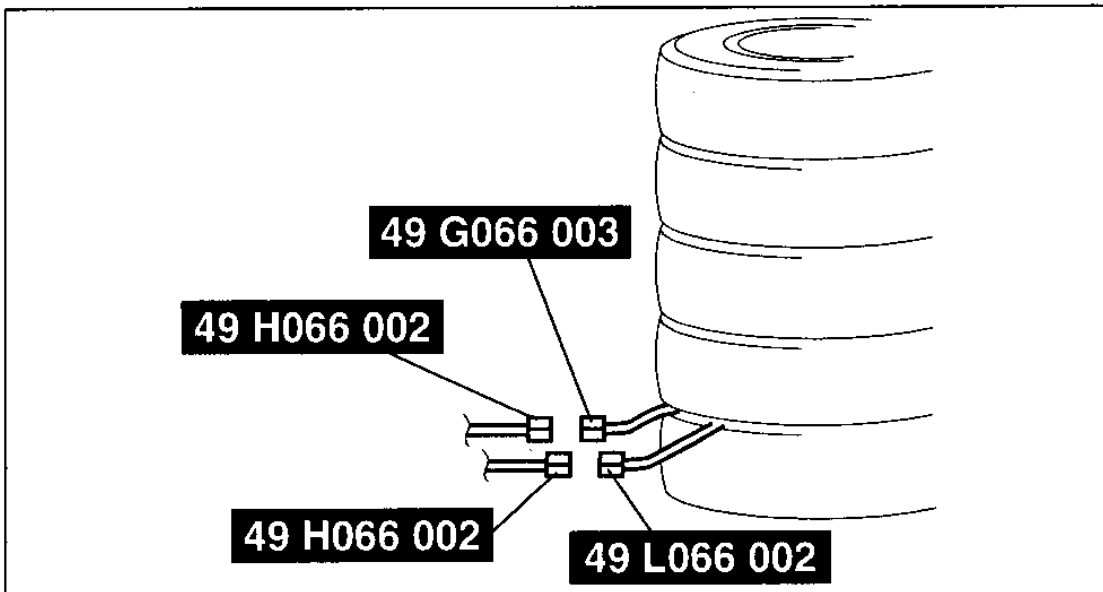
B6U0810W102



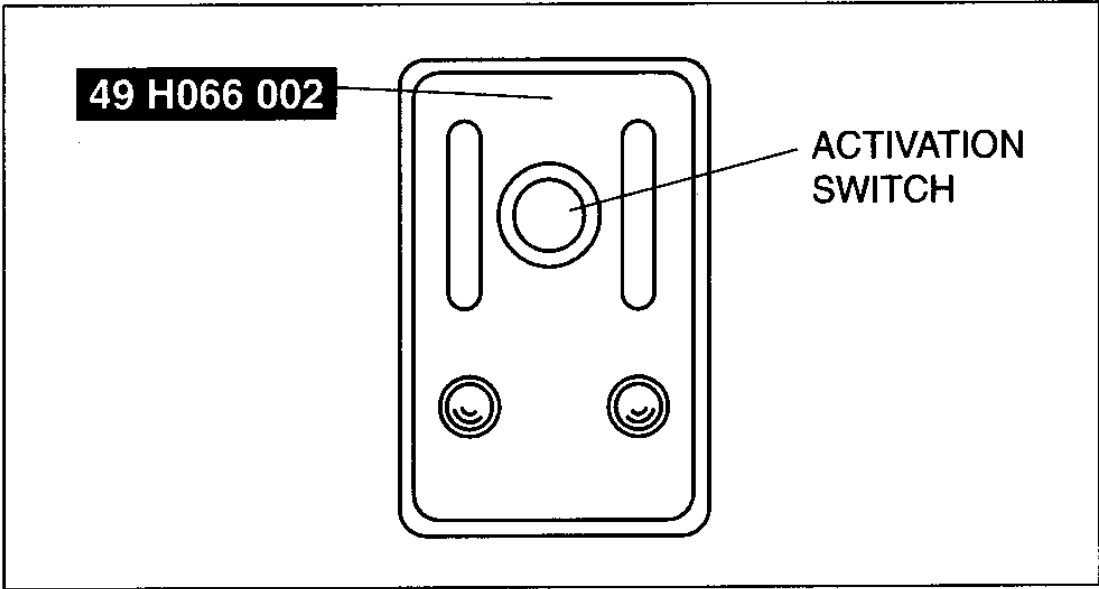
A6E8130W033



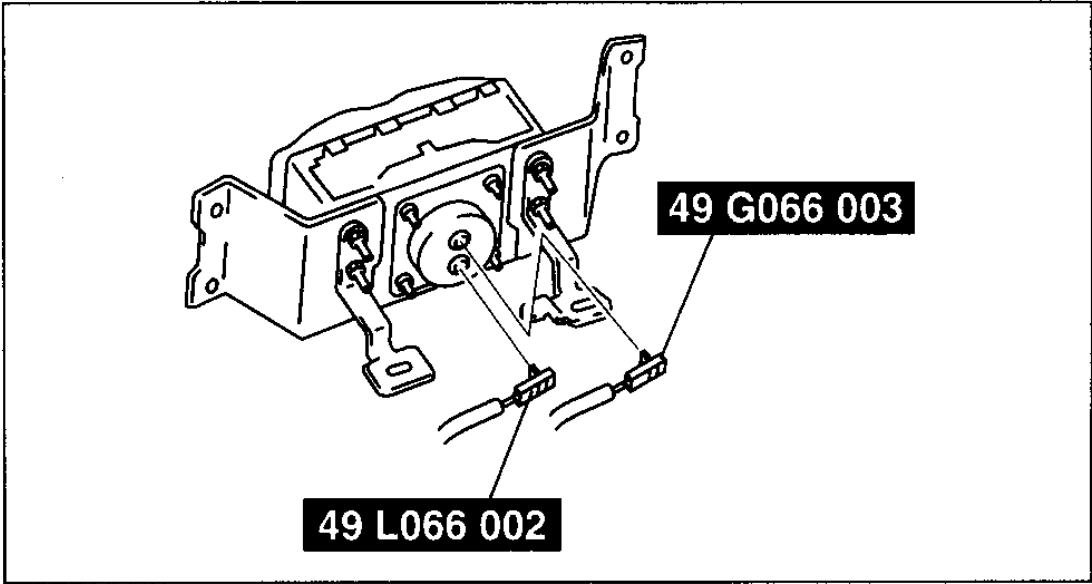
A6E8130W034



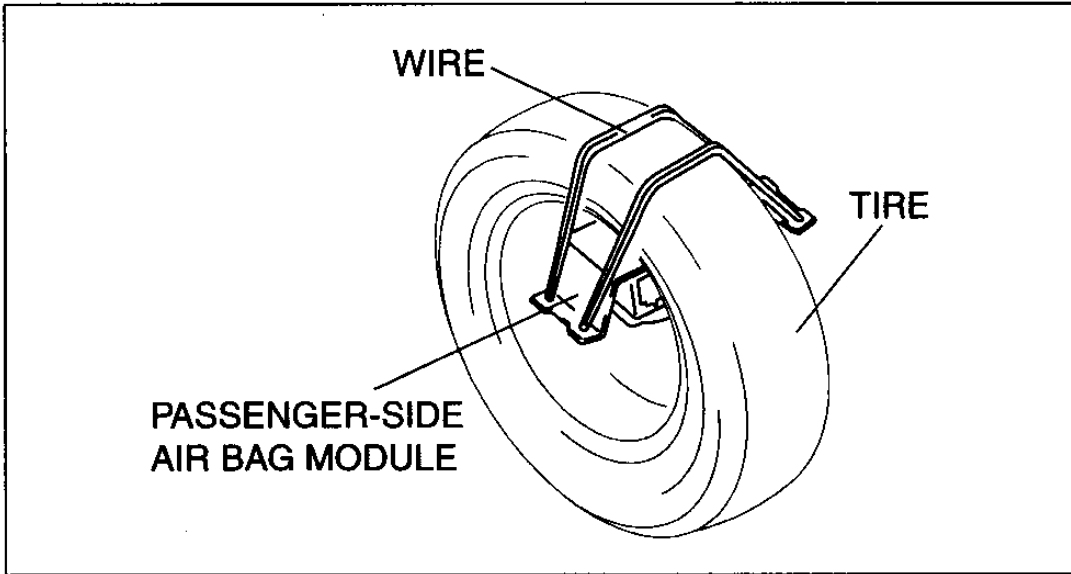
BHJ0810W106



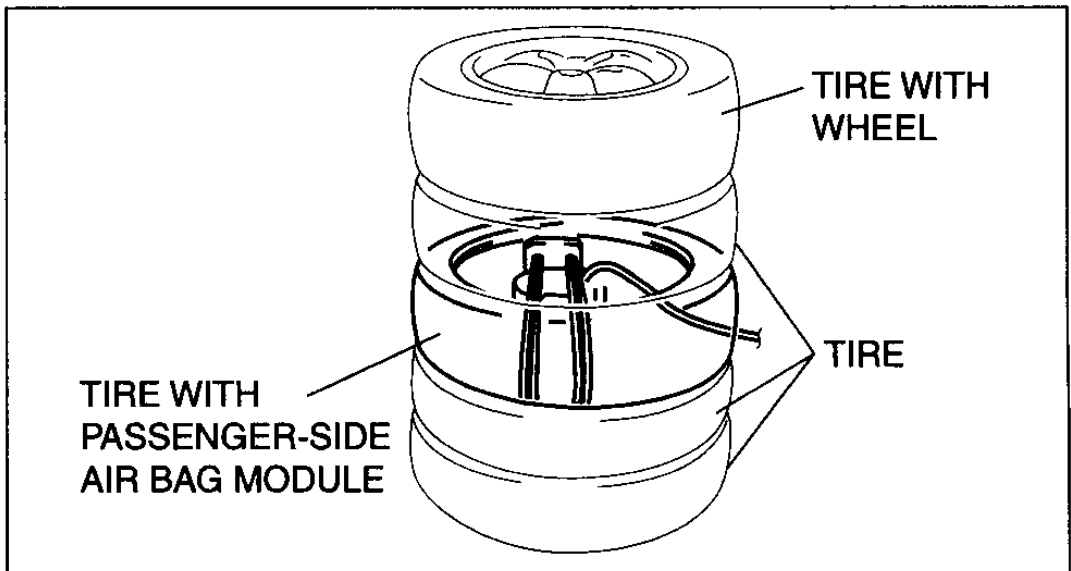
A6E8130W028



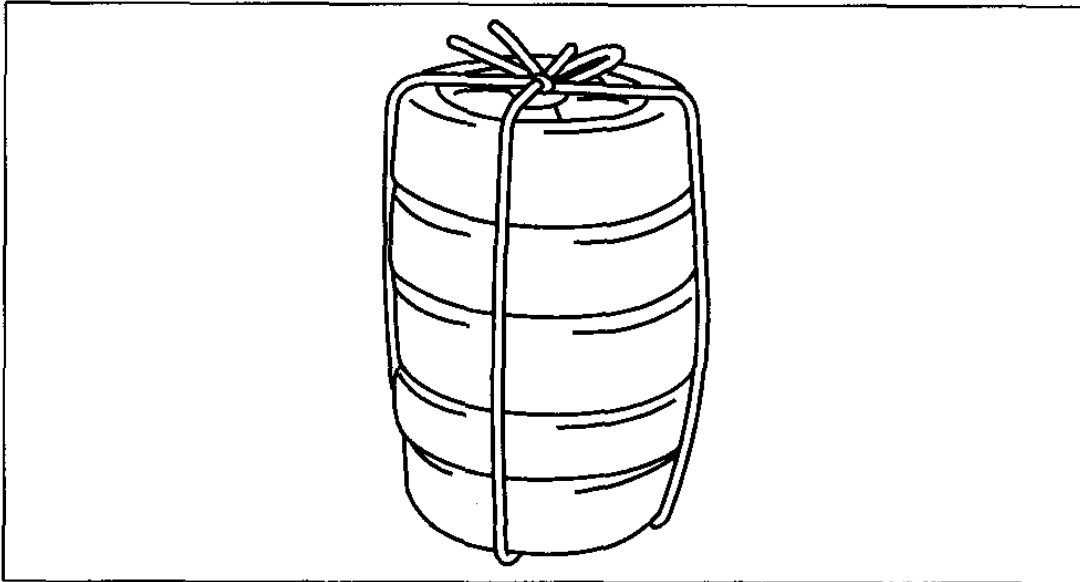
e3u810zw6012



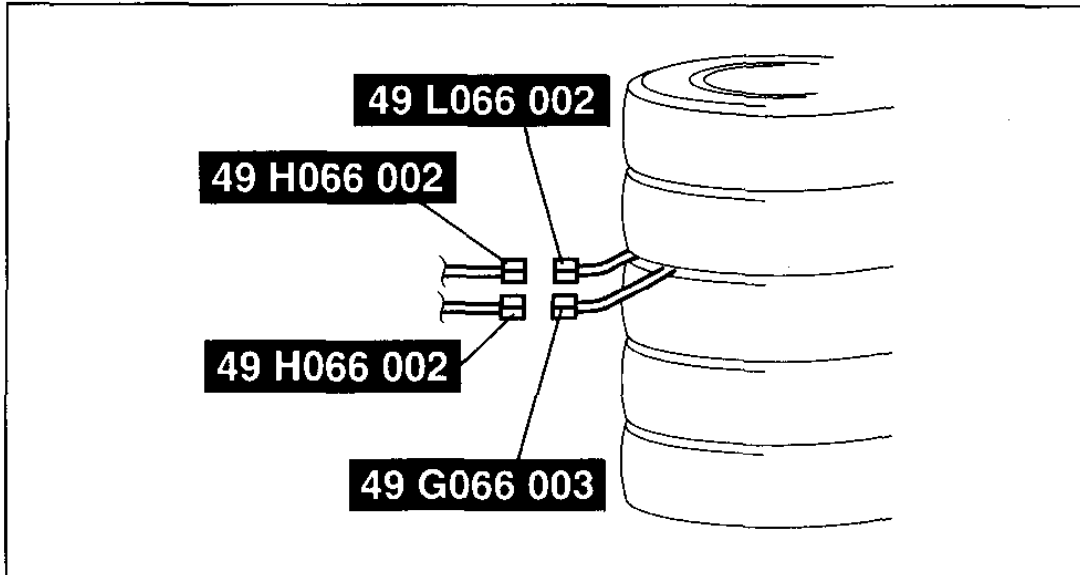
B3E0810W029



B3E0810W030

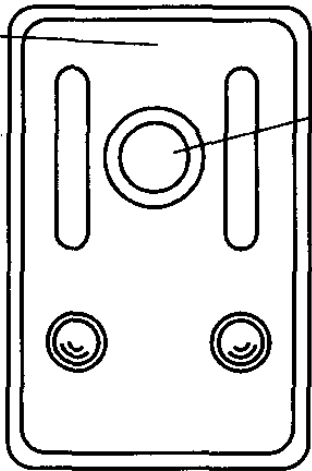


A6E8130W034



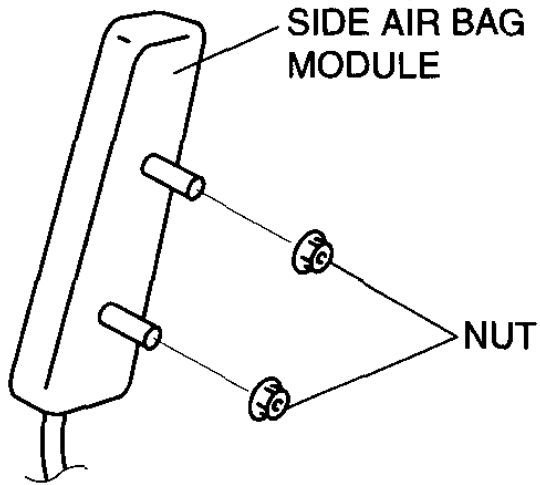
BHJ0810W107

49 H066 002



ACTIVATION  
SWITCH

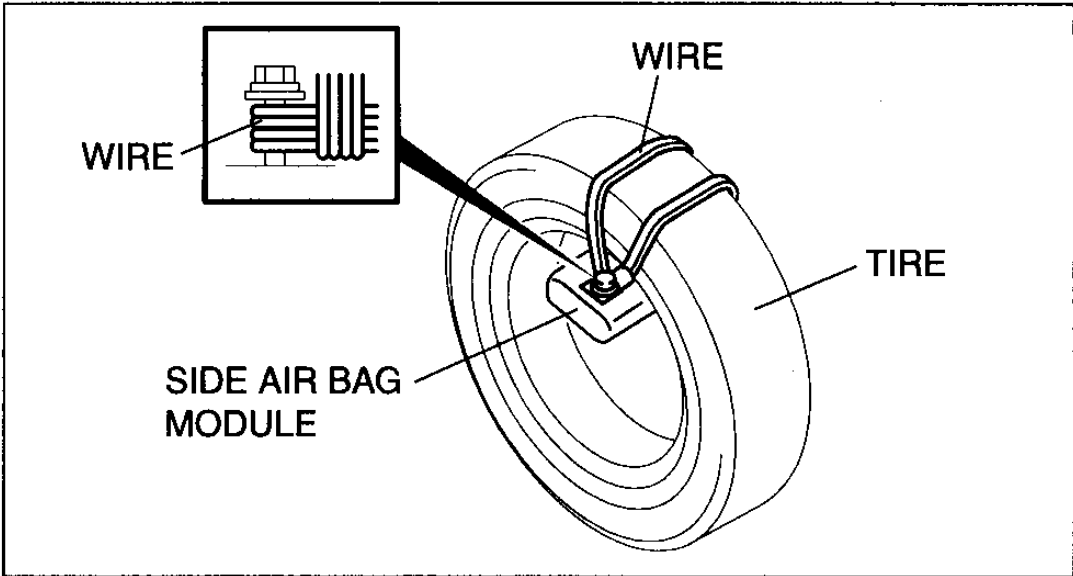
A6E8130W028



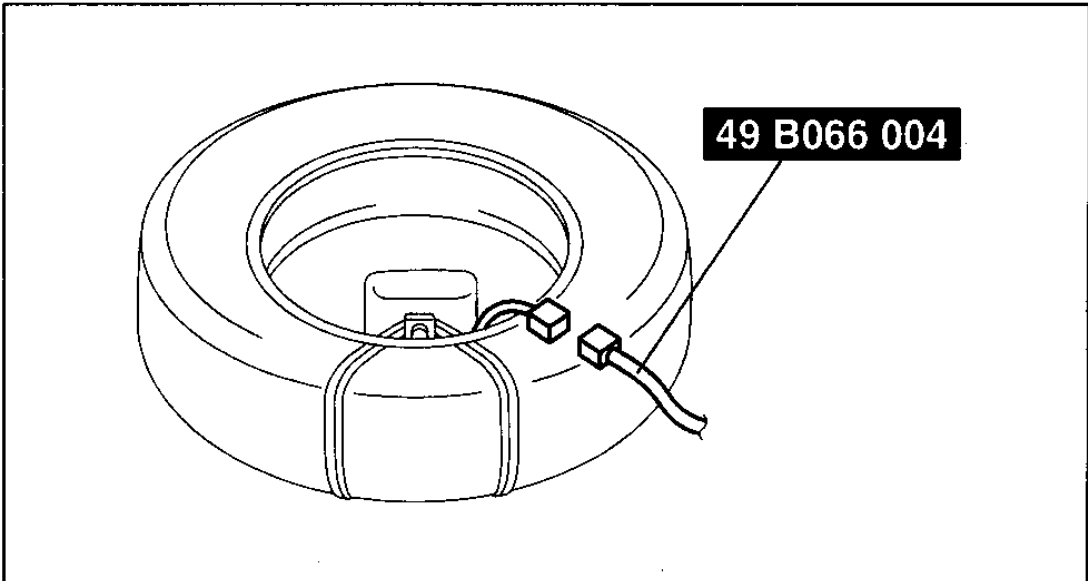
SIDE AIR BAG  
MODULE

NUT

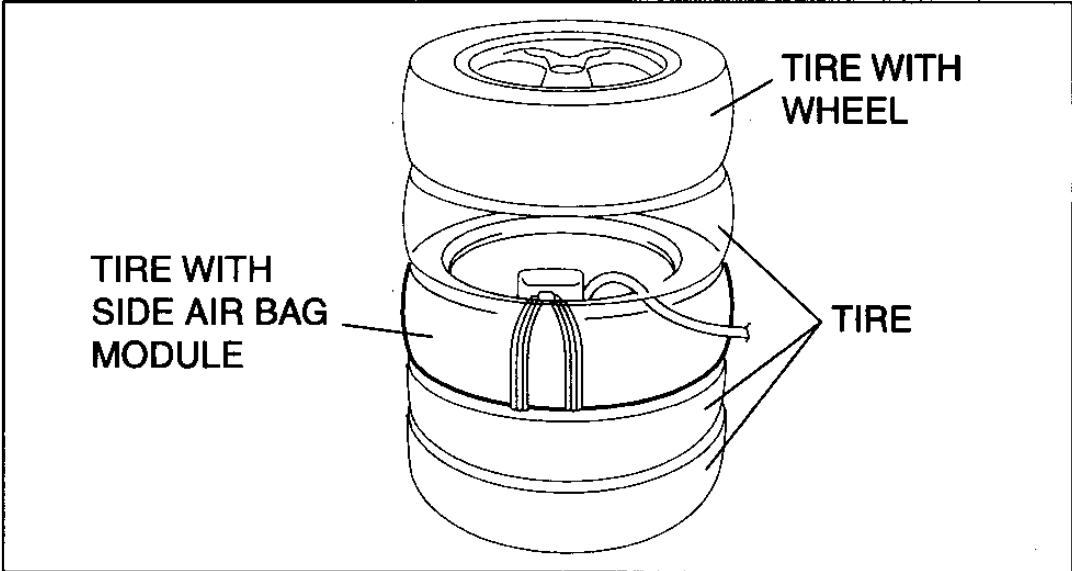
B3E0810W031



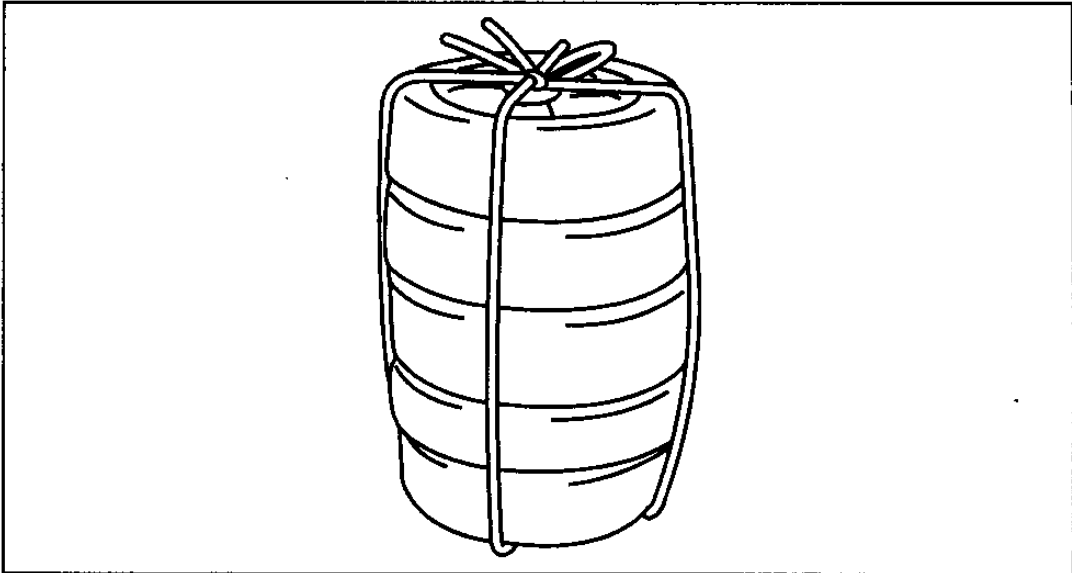
B3E0810W036



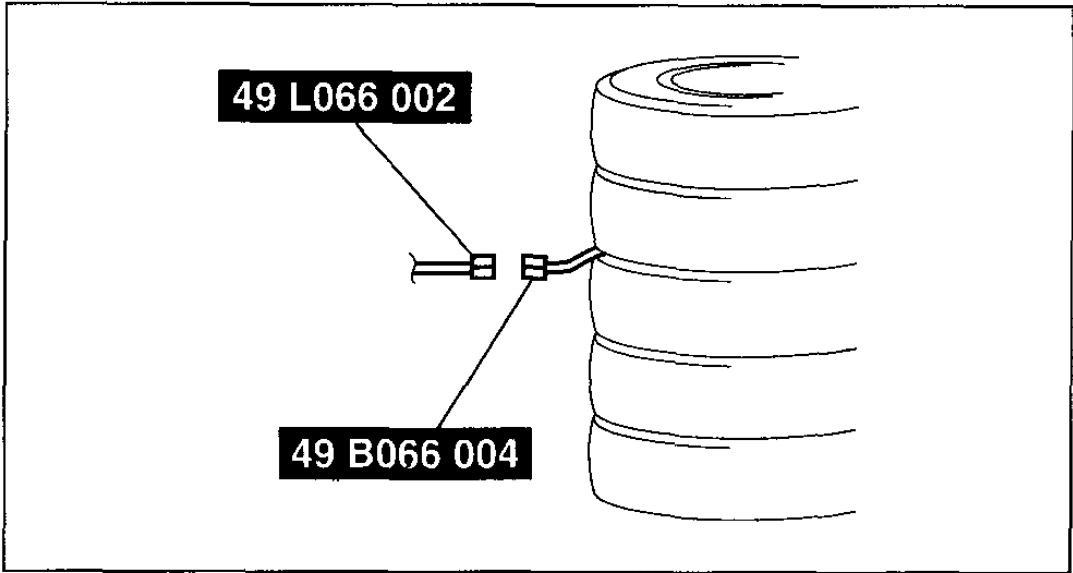
B3E0810W037



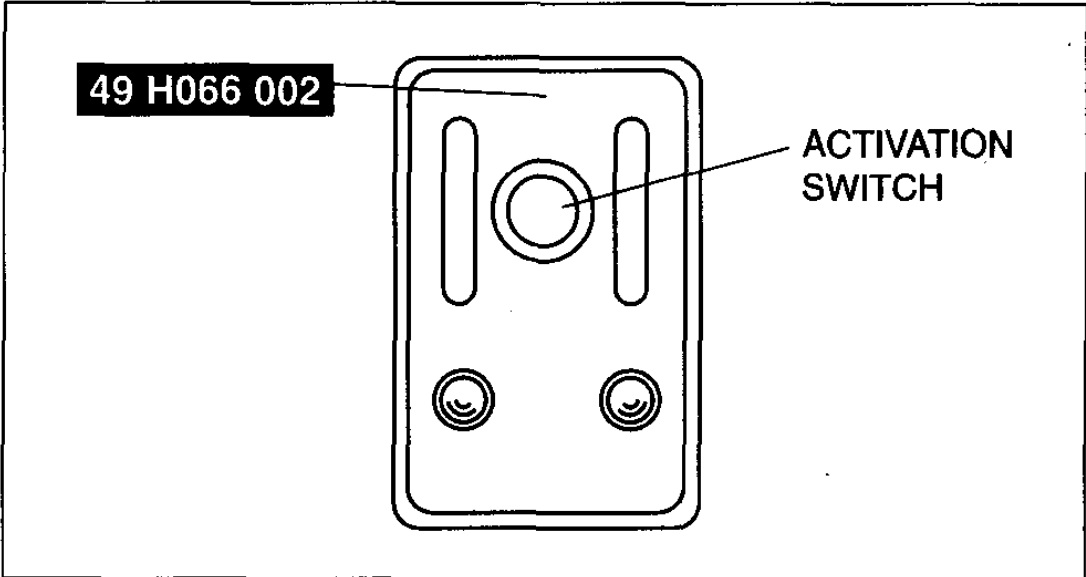
c3u0810w700



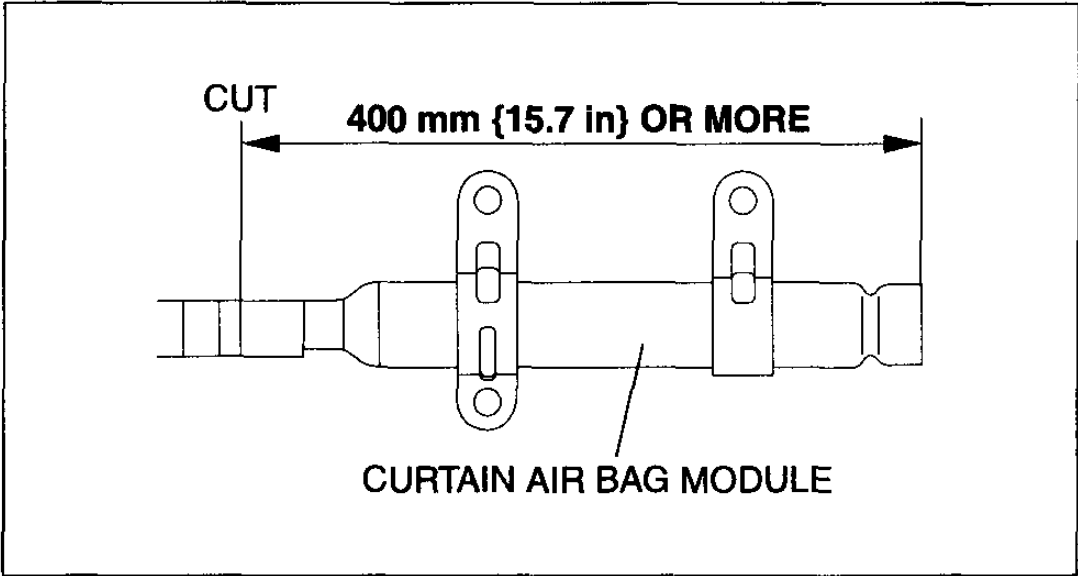
A6E8130W034



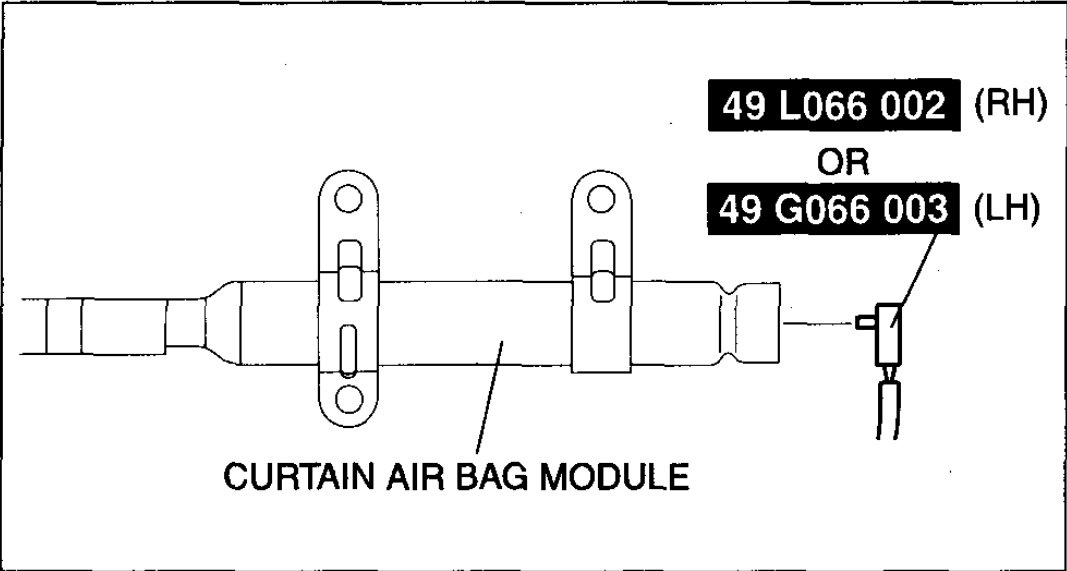
c3u0810w706



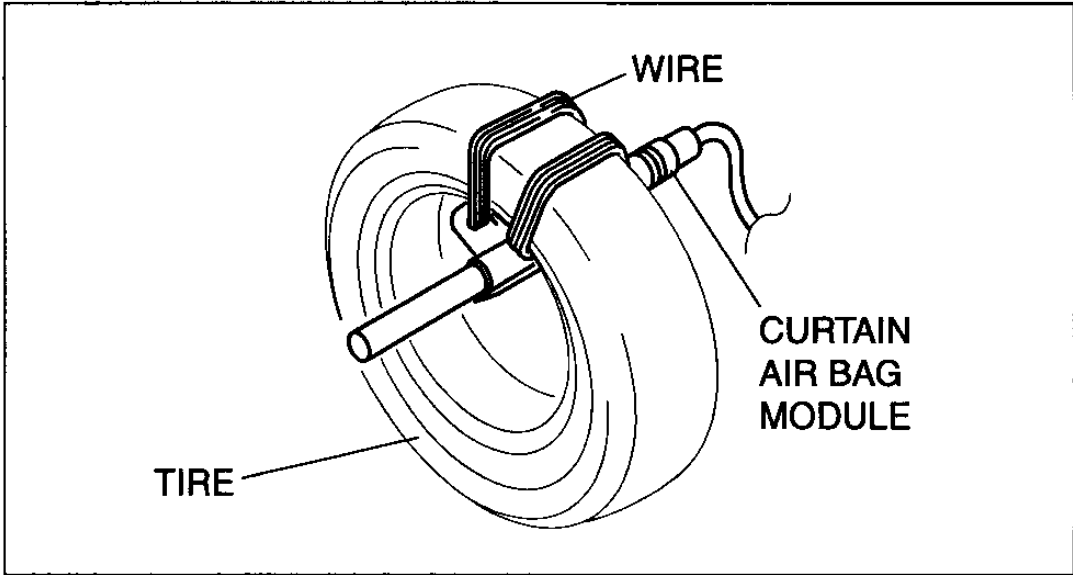
A6E8130W028



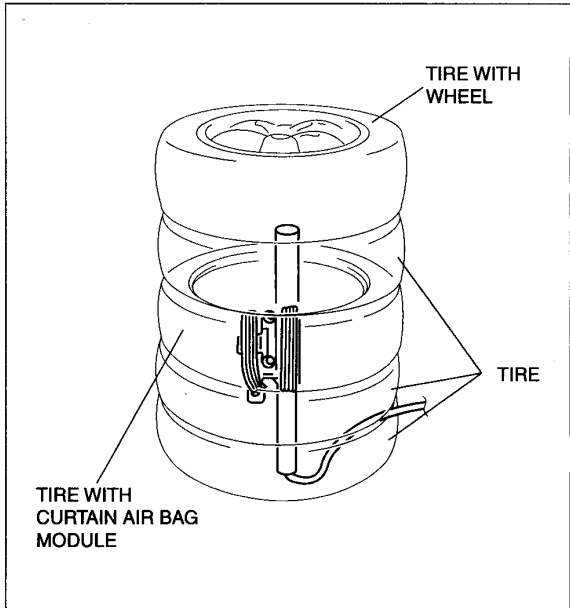
B3E0810W032



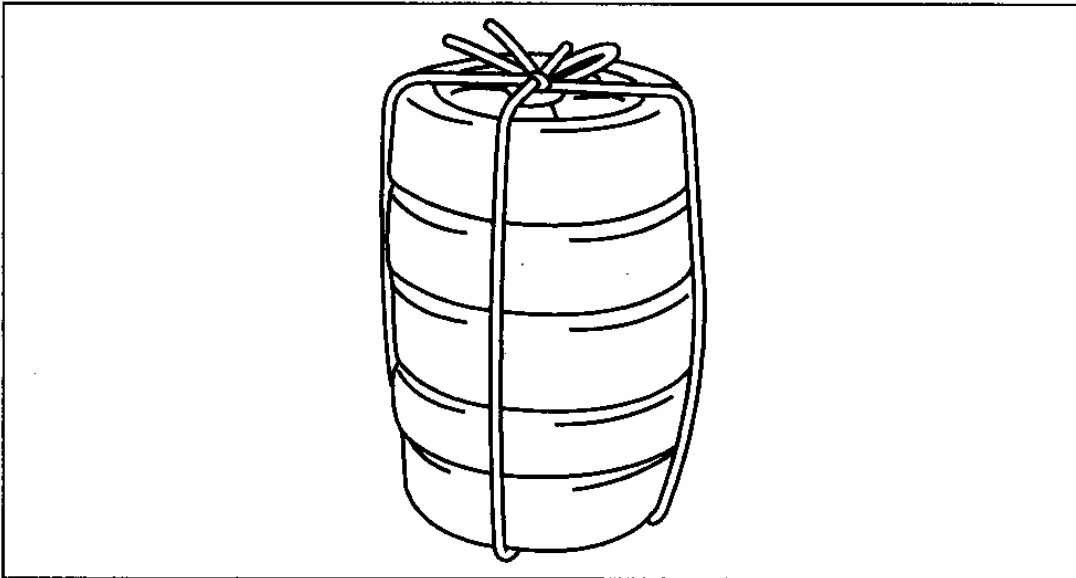
e3u810zw6013



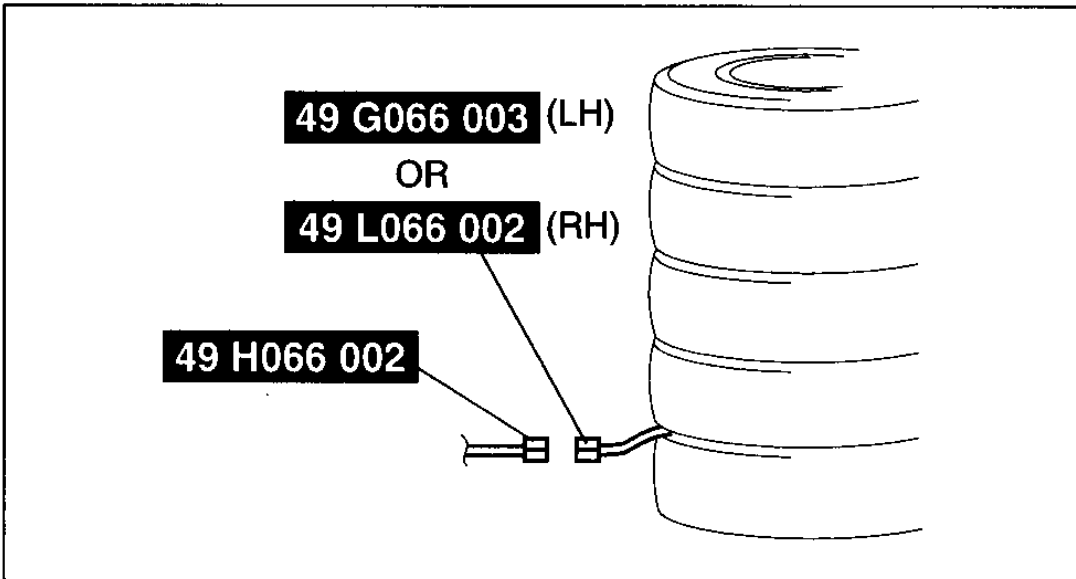
B3E0810W034



CHU0810W119

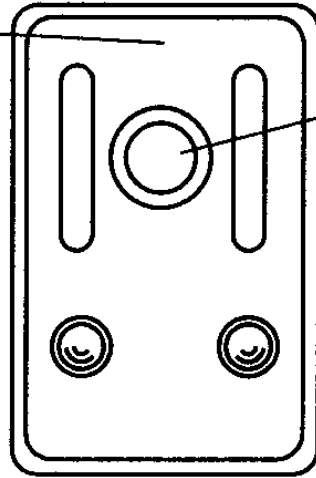


A6E8130W034



e3u810zw6014

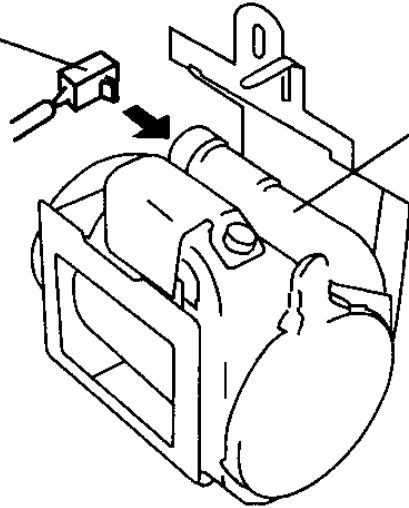
**49 H066 002**



**ACTIVATION  
SWITCH**

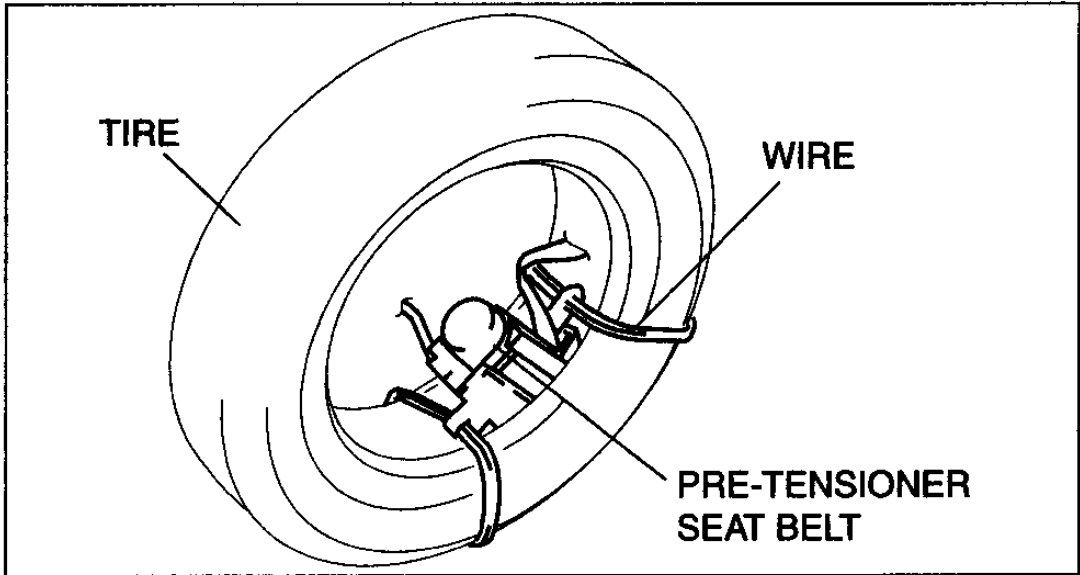
A6E8130W028

**49 G066 003**

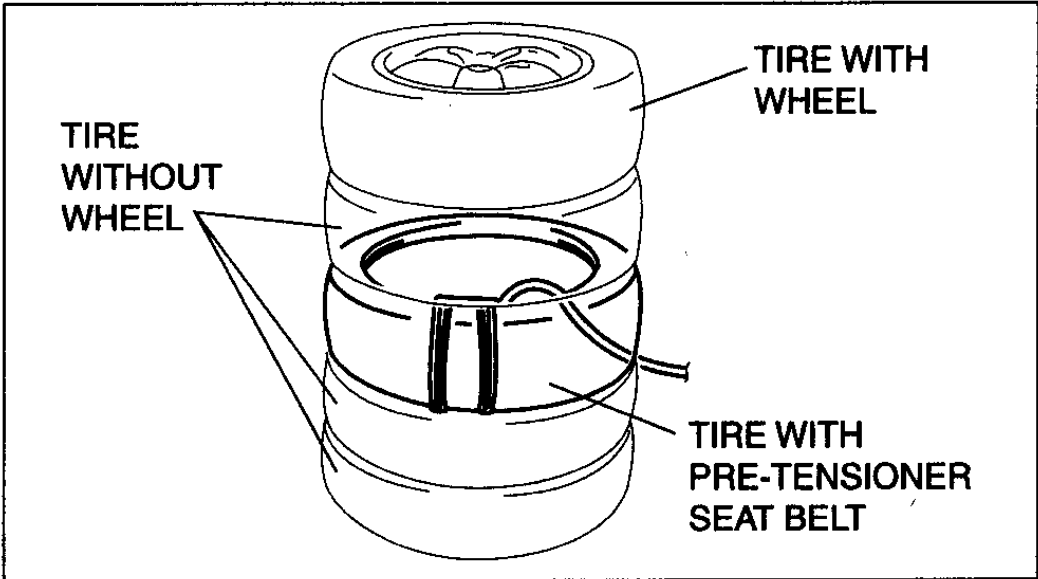


**PRE-TENSIONER  
SEAT BELT**

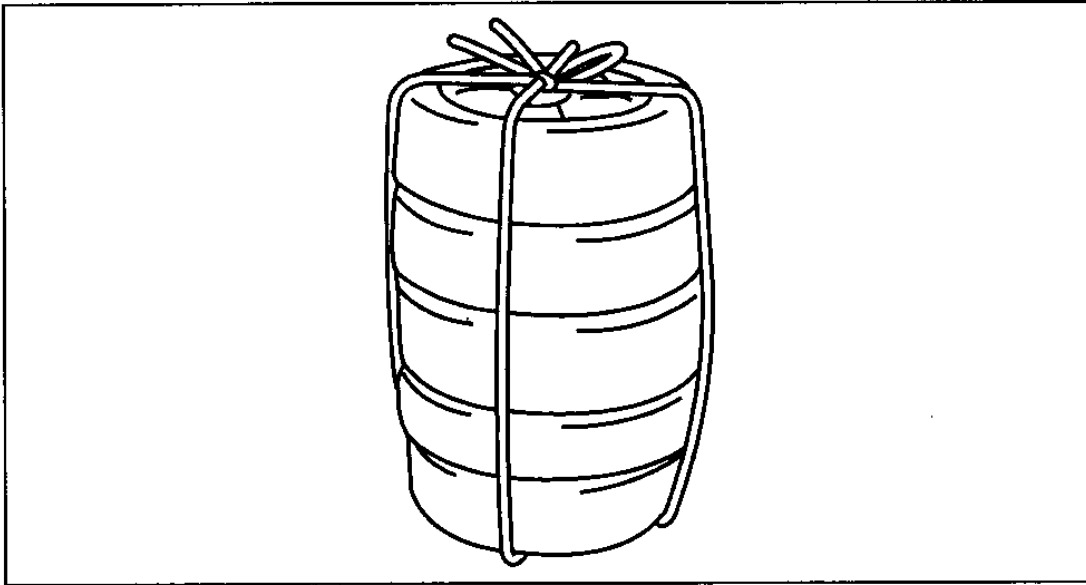
e3u810zw6010



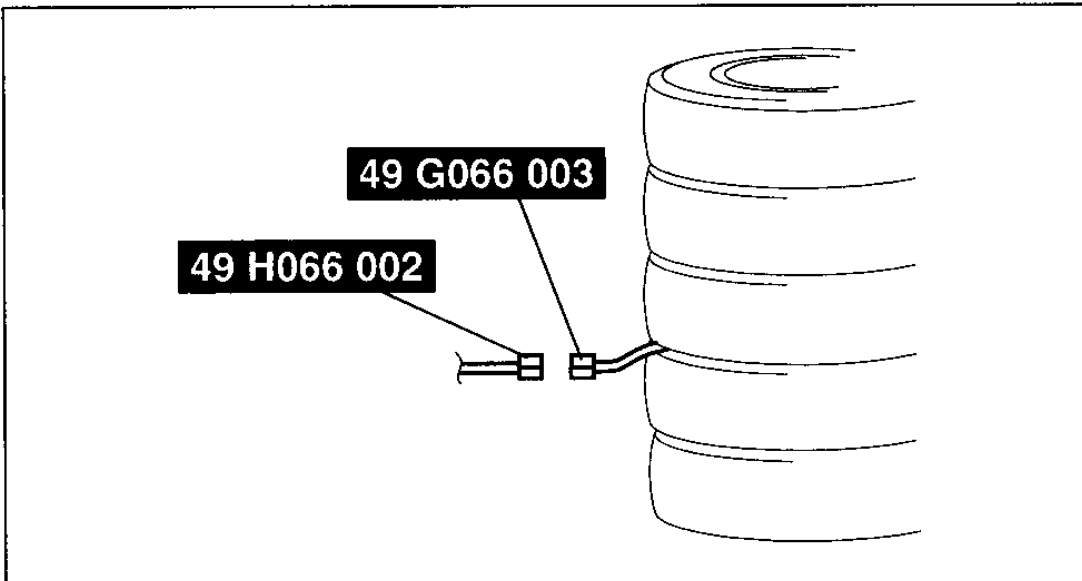
DPE810ZW1033



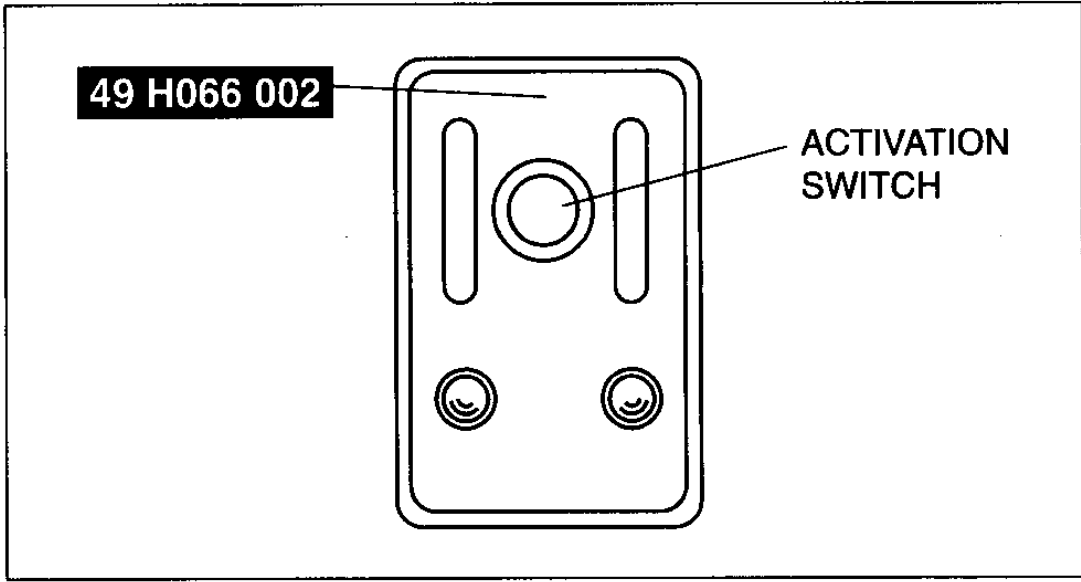
DPE810ZW1034



A6E8130W034



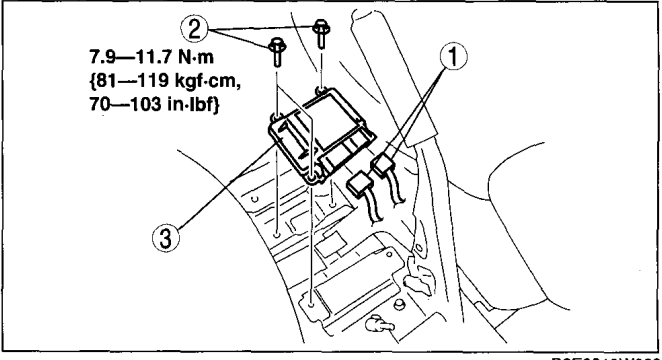
e3u810zw6015



A6E8130W028

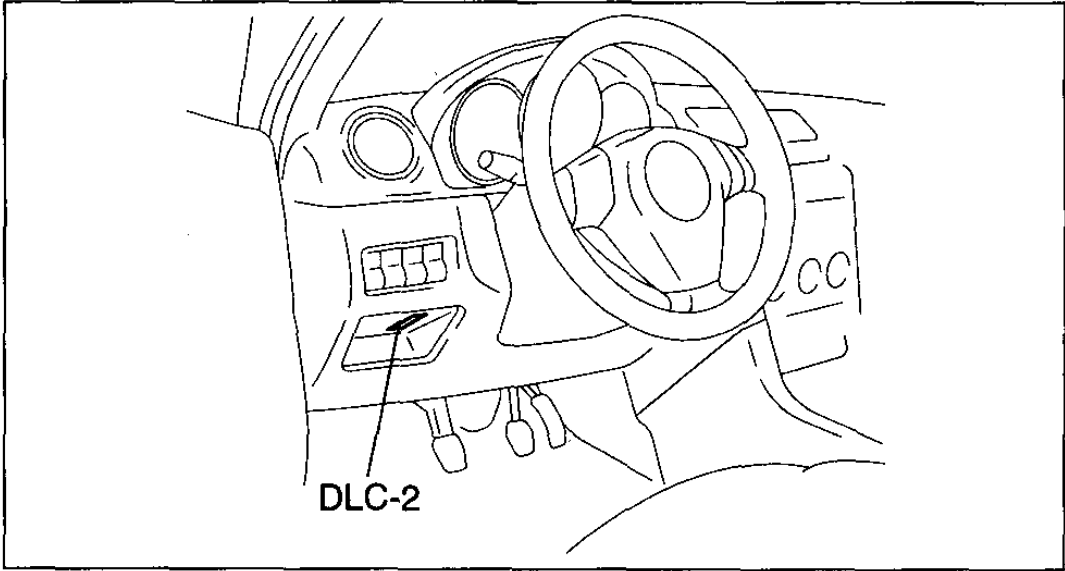
Removal and Replacement (itype\_401)

1	Connector
2	Bolt
3	SAS control module



B3E0810W009

SAS Control Module Configuration (Article 1358562)



am3uuw0000051