

Component Procedures: Crankshaft Main Bearing

Table of Contents

1. Parts and Labor (itype_189)
2. Mechanical (including Torque) (itype_28)

Component Procedures: Crankshaft Main Bearing

Parts and Labor (itype_189)

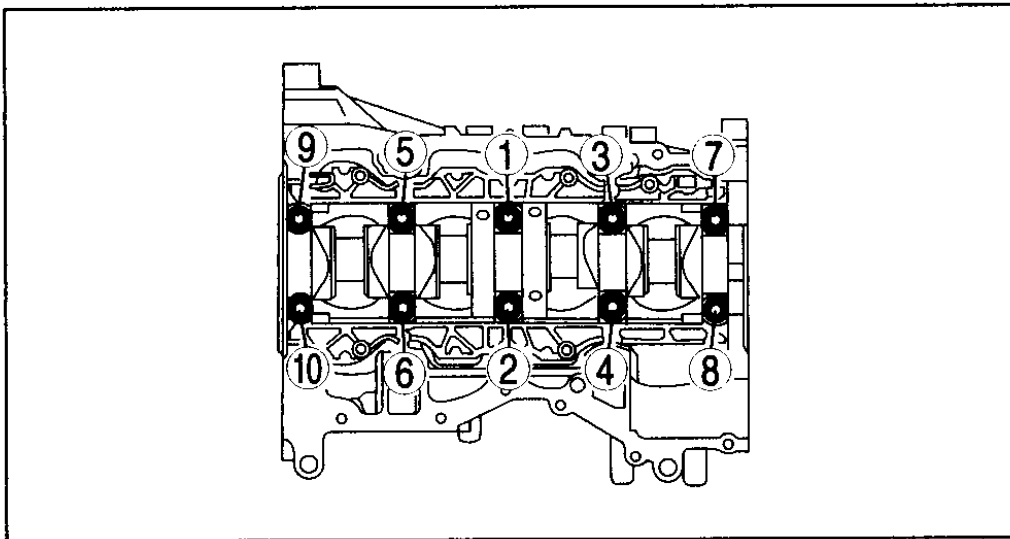
Parts

Qualifier	Part #	Name	Price	Note
Bearing Set	L3Y111SE0A	24 - Bearing Set	132.30	Includes: Standard Upper &?
Bearing Set	L3Y211SG0	25 - Bearing Set	171.60	Includes: Standard Set Of ?

Labor

Operation	Qualifier Path	Skill	Std Hrs	Wty Hrs
Replace	Main & Rod Bearings	A	12.5	0.0
Replace	Main Bearings	A	12.1	11.6

Mechanical (including Torque) (itype_28)



B3E0110E105