

Component Procedures: Steering Gear

Table of Contents

1. Parts and Labor (itype_189)
2. Steering Gear and Linkage Disassembly (Article 1420808)
3. Steering Gear and Linkage Assembly (Article 1420810)
4. Steering Gear and Linkage Removal/Installation (Article 1371202)
5. Steering Gear and Linkage Inspection (Article 1420942)

Component Procedures: Steering Gear

Parts and Labor (itype_189)

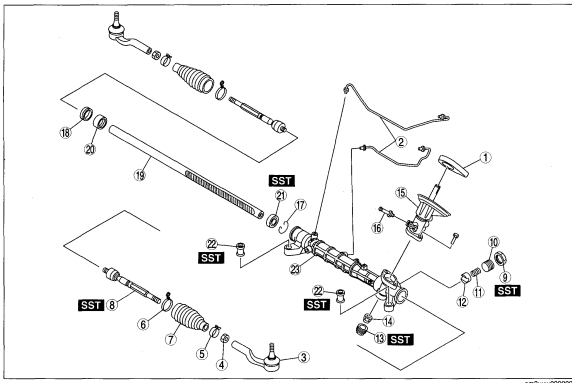
Parts

| Qualifier | Part # | Name | Price | Note |
|----------------|--------------|-------------------|--------|------|
| Rack Gear Only | BP4L32119 | 7 - Rack | 365.67 | |
| Steering Gear | CC2932110R0A | 4 - Steering Gear | 705.66 | |

Labor

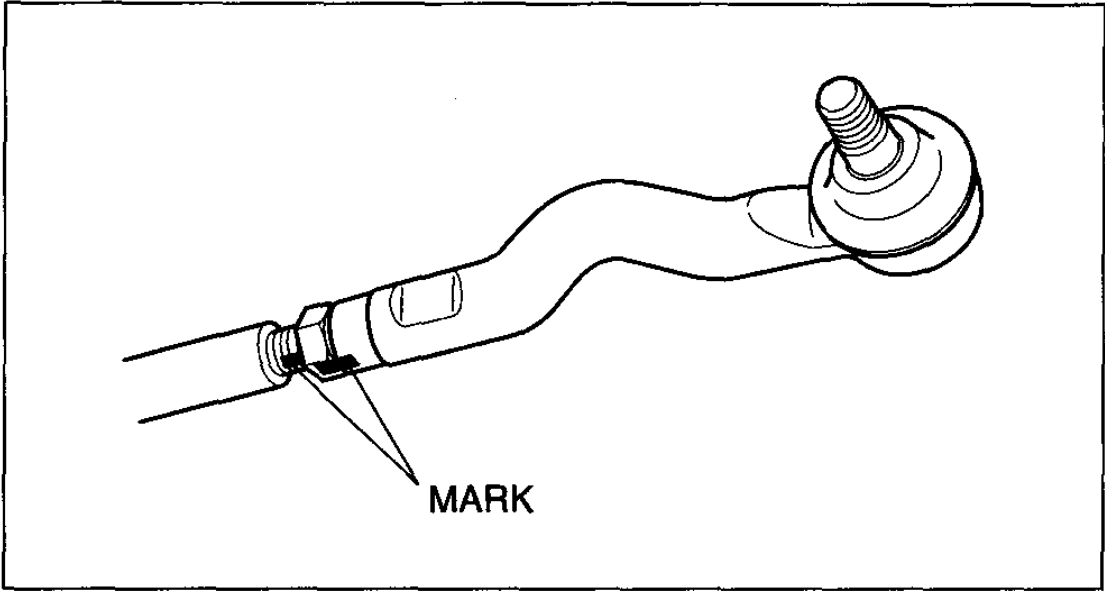
| Operation | Qualifier Path | Skill | Std Hrs | Wty Hrs |
|-----------|------------------------------------------------|-------|---------|---------|
| Replace | Complete Assembly With Transfer Of Parts | B | 3.0 | 0.0 |
| Replace | Complete Assembly Without Transfer Of Parts | B | 2.8 | 2.2 |
| Replace | Complete Assembly Without Transfer Of Parts >? | B | 1.9 | 0.0 |
| Replace | Complete Assembly Without Transfer Of Parts >? | B | 0.2 | 0.0 |
| Replace | Complete Assembly Without Transfer Of Parts >? | B | 0.6 | 0.0 |

Steering Gear and Linkage Disassembly (Article 1420808)

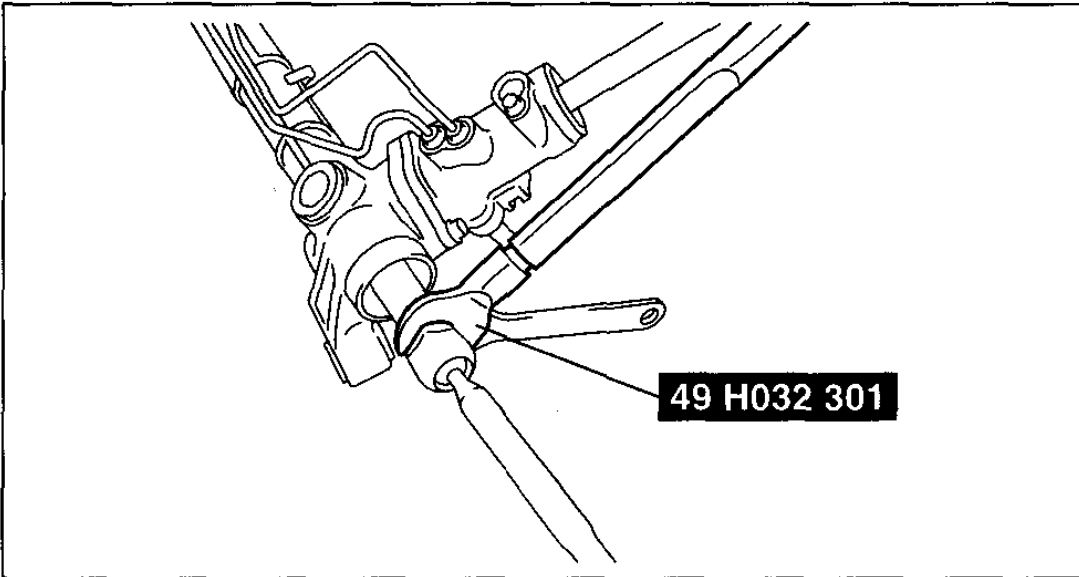


| | |
|----|----------------------------------------------------------------------------------------------------------|
| 1 | Floor seal |
| 2 | Oil pipe |
| 3 | Tie-rod end (See Tie-rod End Disassembly Note.) |
| 4 | Locknut |
| 5 | Boot clamp |
| 6 | Boot band |
| 7 | Boot |
| 8 | Tie rod (See Tie Rod Disassembly Note.) |
| 9 | Locknut (on adjusting cover) (See Locknut (on Adjusting Cover), Adjusting Cover Disassembly Note.) |
| 10 | Adjusting cover (See Locknut (on Adjusting Cover), Adjusting Cover Disassembly Note.) |
| 11 | Yoke spring |

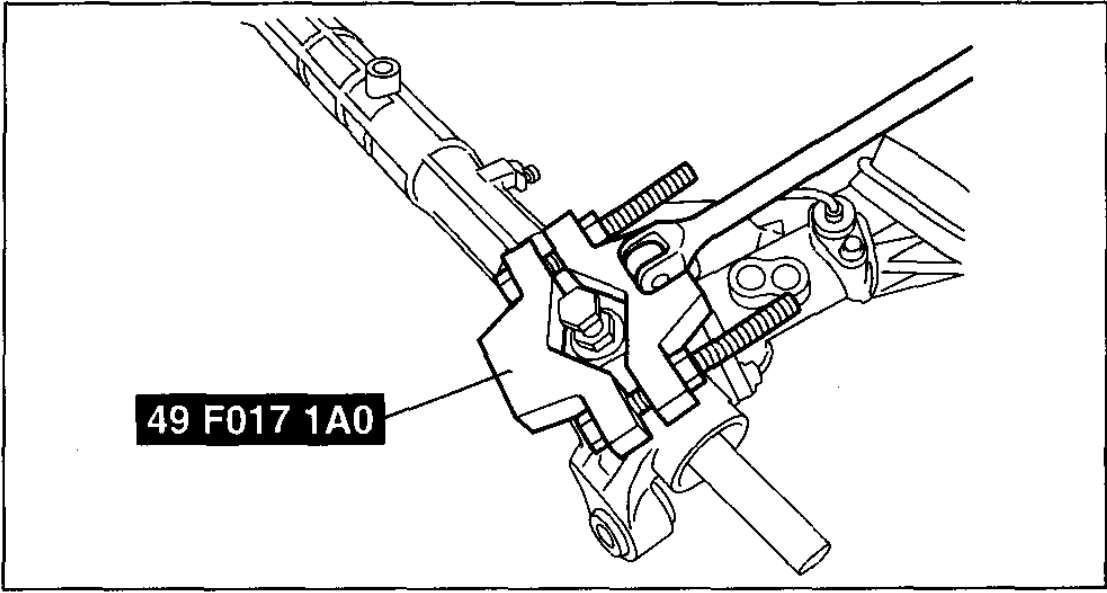
| | |
|----|---------------------------------------------------------------|
| 12 | Support yoke |
| 13 | Housing cover |
| 14 | Locknut (on pinion shaft) |
| 15 | Pinion shaft and valve housing component |
| 16 | Return pipe |
| 17 | Clip |
| 18 | Stopper |
| 19 | Steering rack |
| 20 | Rack bushing |
| 21 | Oil seal (See Oil Seal Disassembly Note.) |
| 22 | Mounting rubber (See Mounting Rubber Disassembly Note.) |
| 23 | Gear housing |



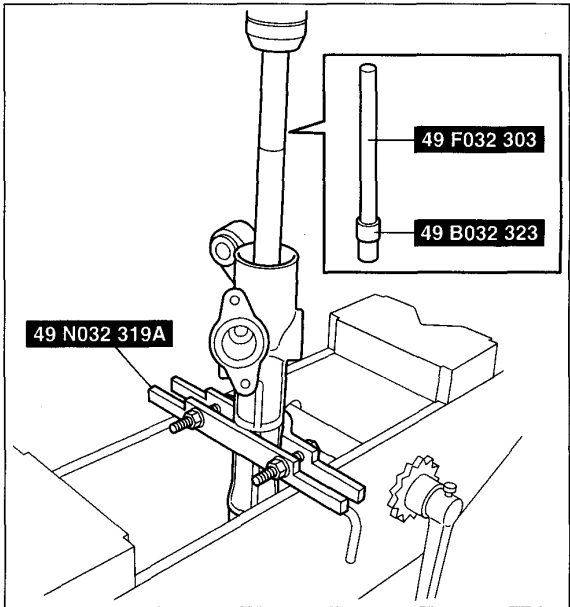
am3uuw0000092



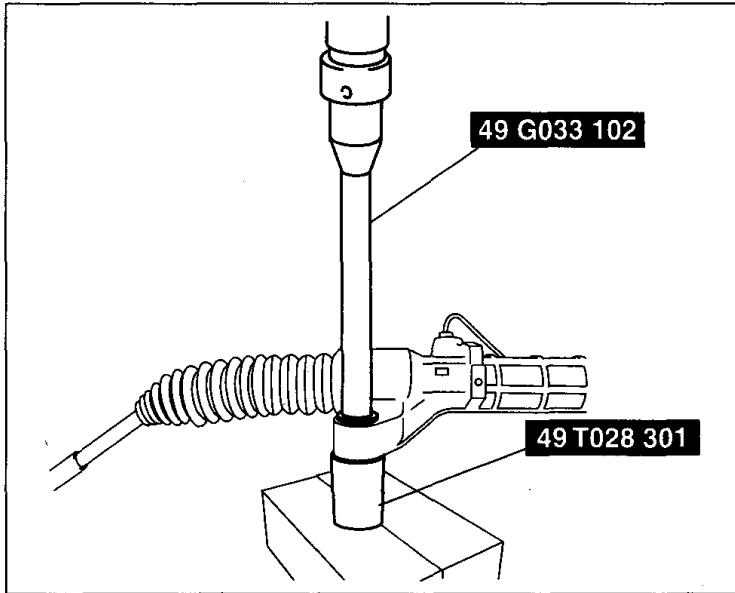
am3uuw0000092



am3uuw0000092

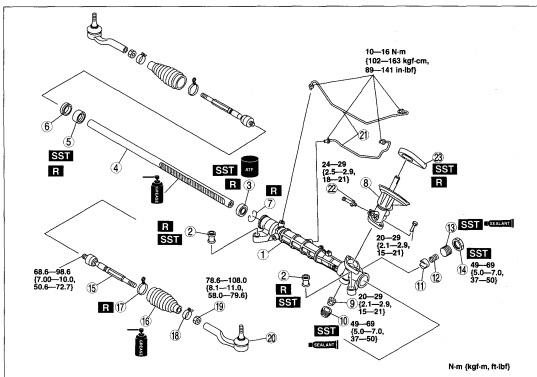


am3uuw0000092



am3uuw000092

Steering Gear and Linkage Assembly (Article 1420810)

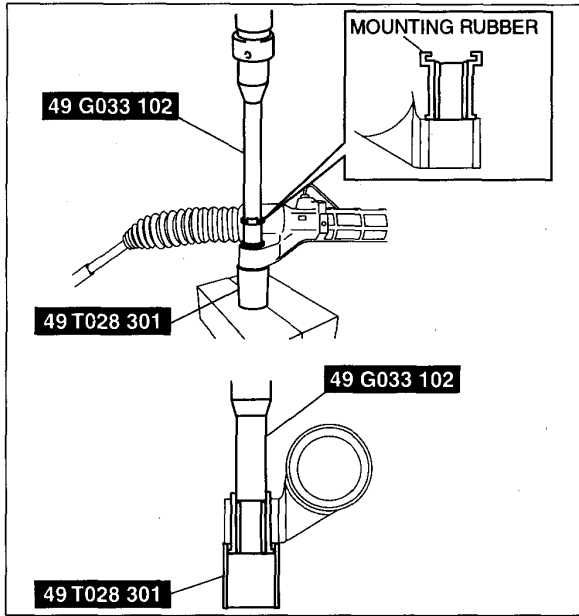


N.m (kgf-m, ft-lbf)

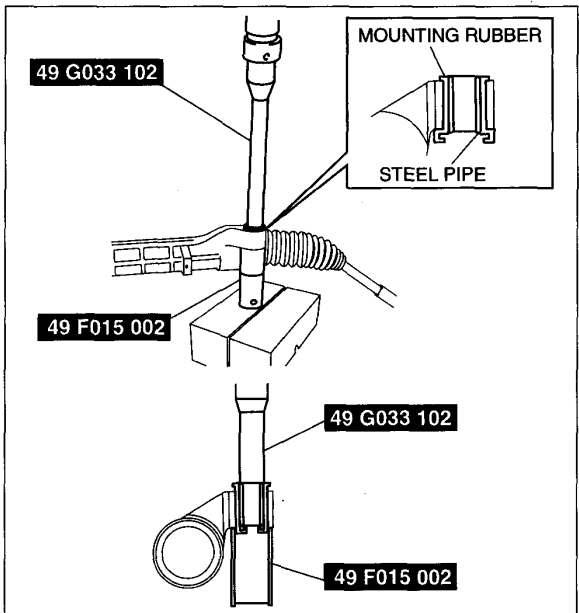
am3uuw000092

| | |
|----|-----------------------------------------------------------------------------------------------------------|
| 1 | Gear housing |
| 2 | Mounting rubber (See Mounting Rubber Assembly Note.) |
| 3 | Oil seal (See Oil Seal Assembly Note.) |
| 4 | Steering rack (See Steering Rack Assembly Note.) |
| 5 | Rack bushing (See Rack Bushing Assembly Note.) |
| 6 | Stopper (See Stopper Assembly Note.) |
| 7 | Clip |
| 8 | Pinion shaft and valve housing component (See Pinion Shaft and Valve Housing Component Assembly Note.) |
| 9 | Locknut |
| 10 | Housing cover (See Housing Cover Assembly Note.) |

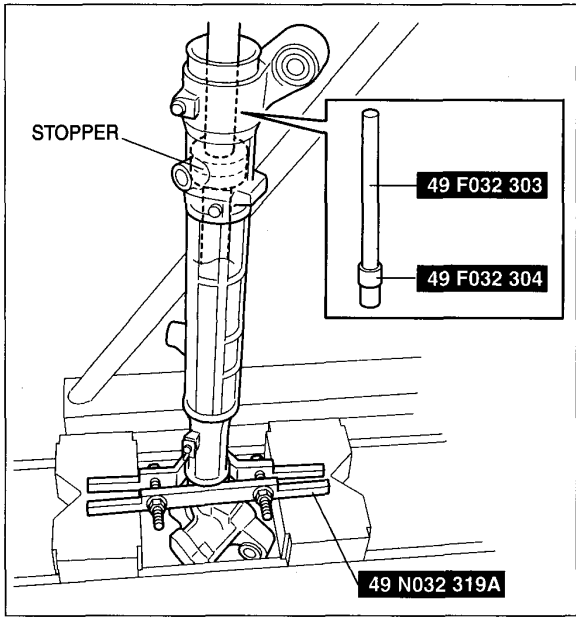
| | |
|----|-----------------------------------------------------------------------------------|
| 11 | Support yoke |
| 12 | Yoke spring |
| 13 | Adjusting cover (See Adjusting Cover Assembly Note.) |
| 14 | Locknut (on adjusting cover) (See Locknut (on Adjusting Cover) Assembly Note.) |
| 15 | Tie rod |
| 16 | Boot (See Boot Assembly Note.) |
| 17 | Boot band |
| 18 | Boot clamp |
| 19 | Locknut |
| 20 | Tie-rod end |
| 21 | Oil pipe |
| 22 | Return pipe |
| 23 | Floor seal (See Floor Seal Assembly Note.) |



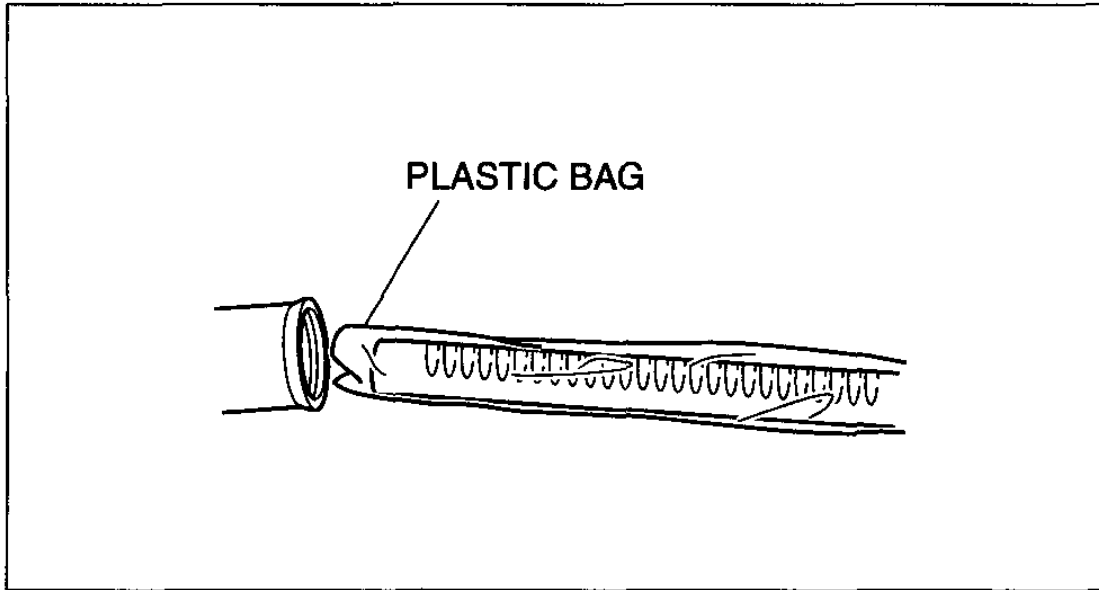
am3uuw0000093



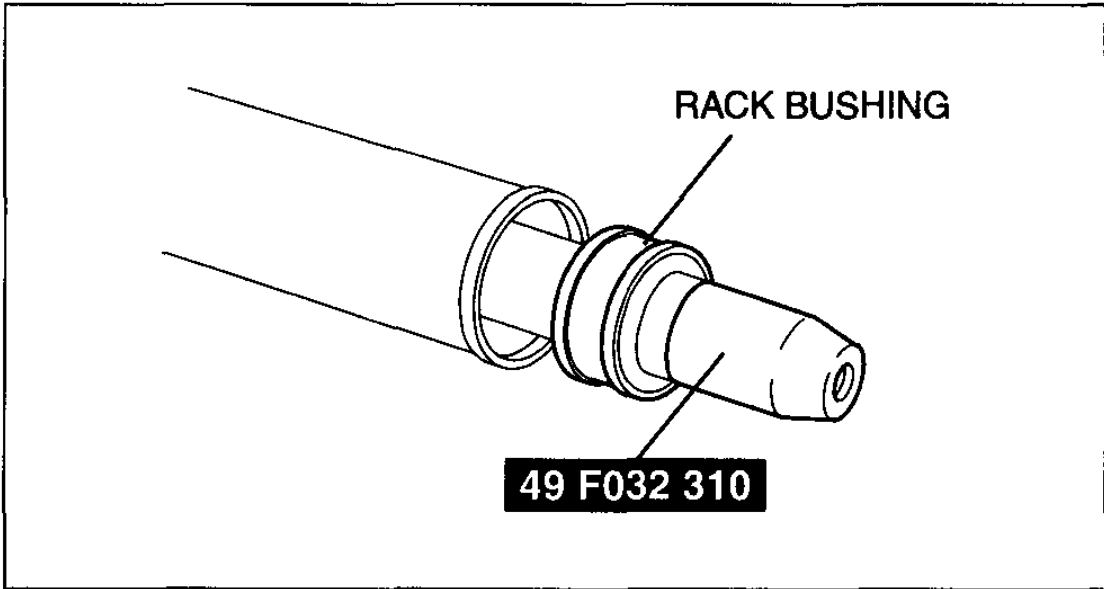
am3uuw0000093



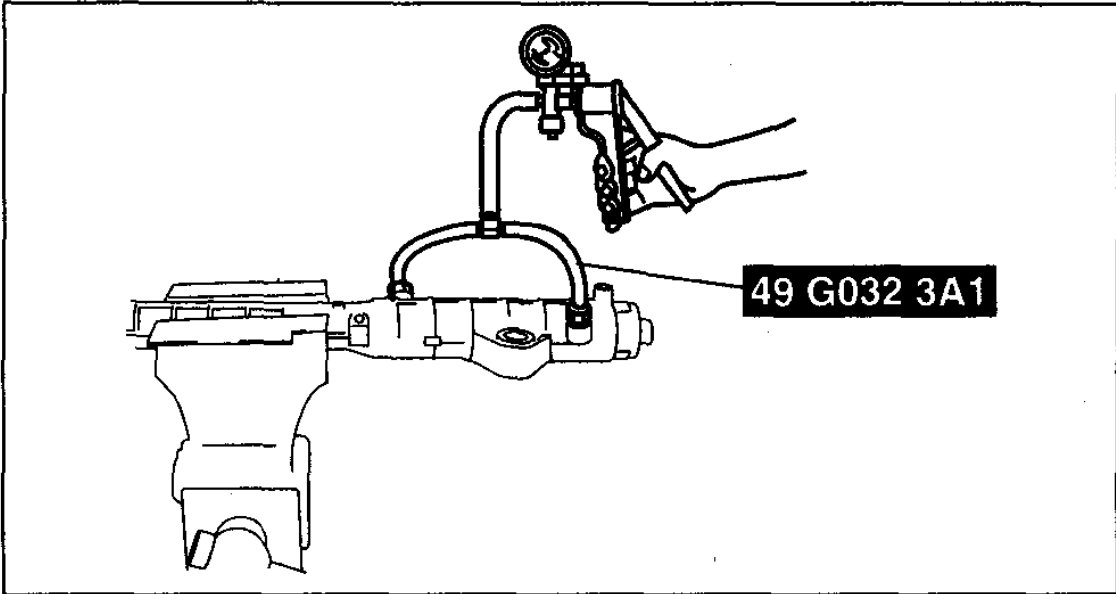
am3uuw000093



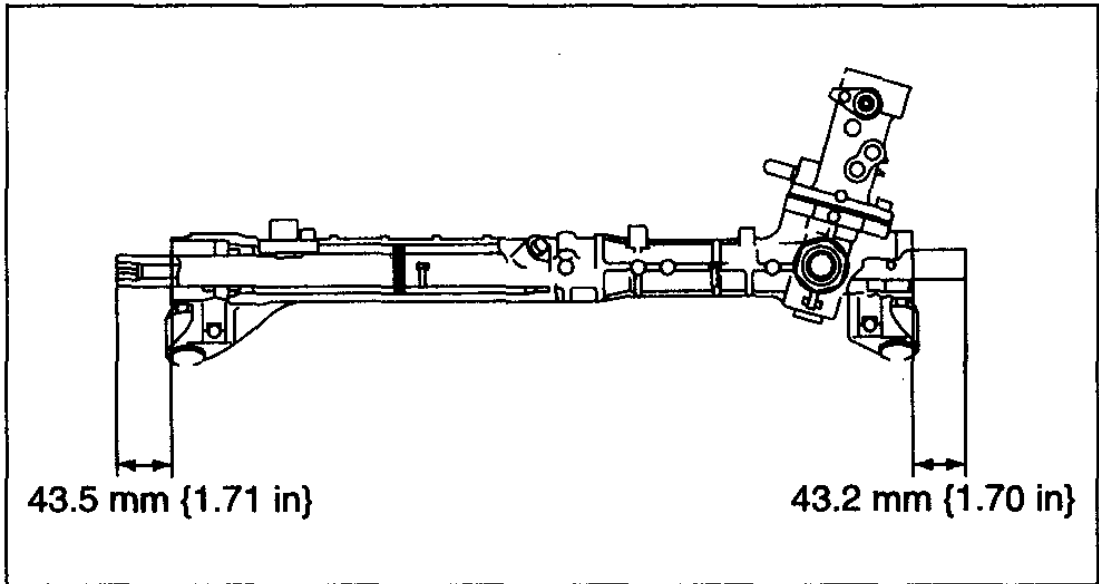
am3uuw000093



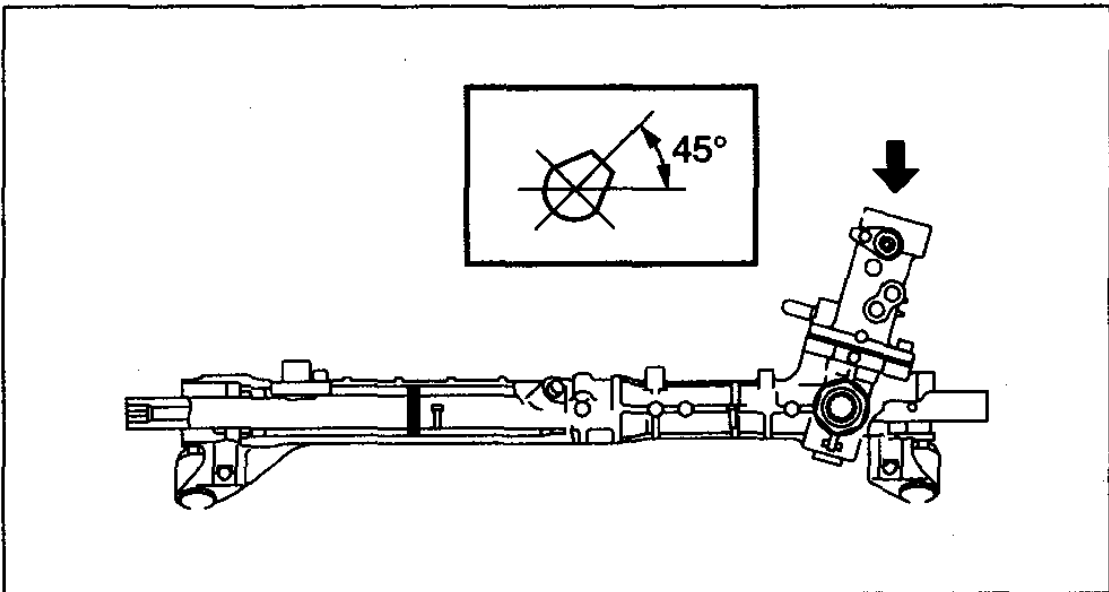
am3uuw0000093



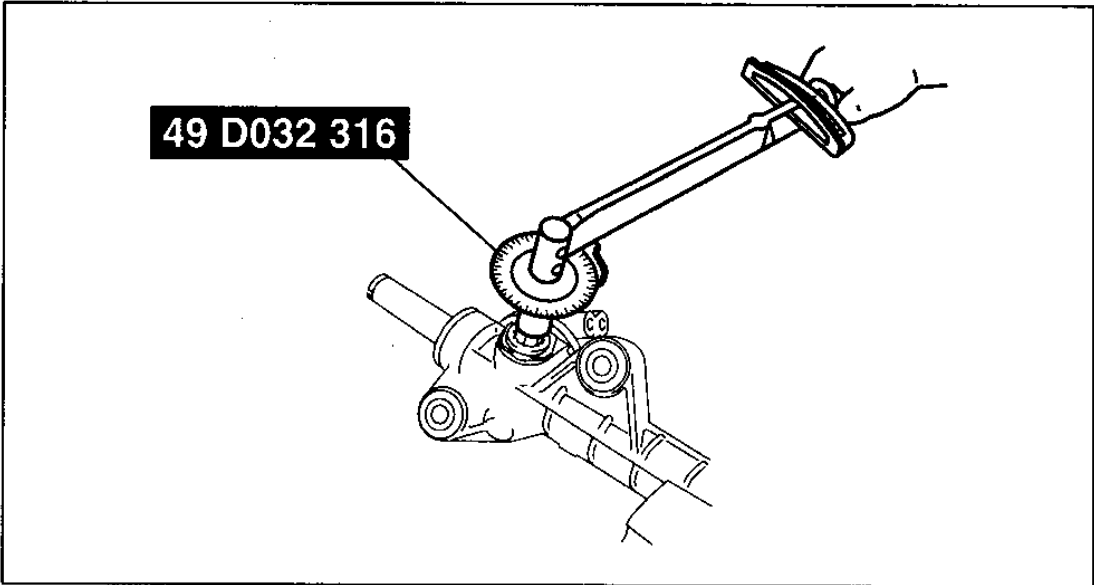
am3uuw0000093



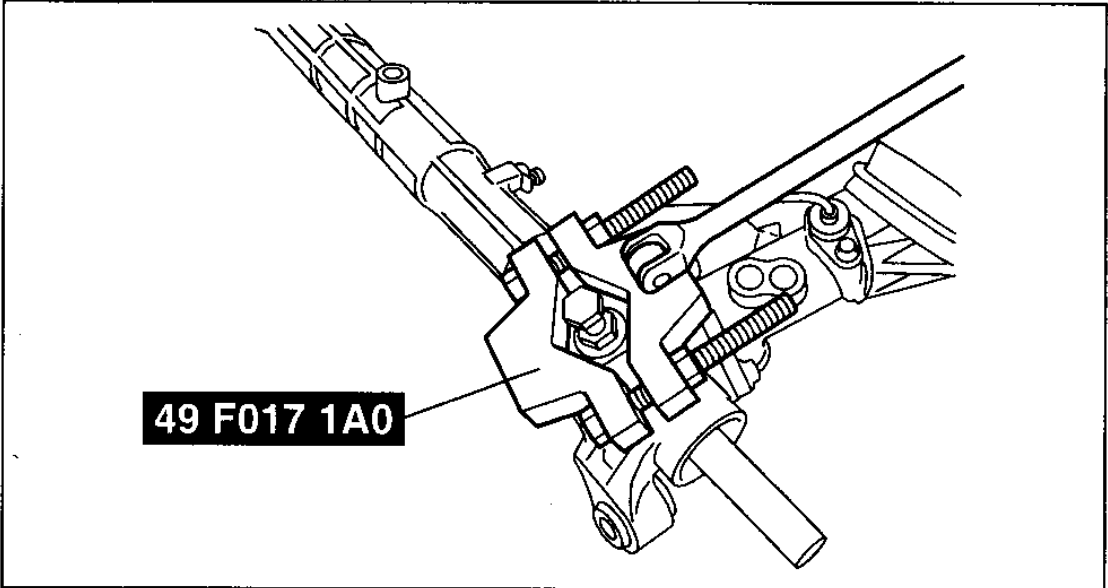
am3uuw000093



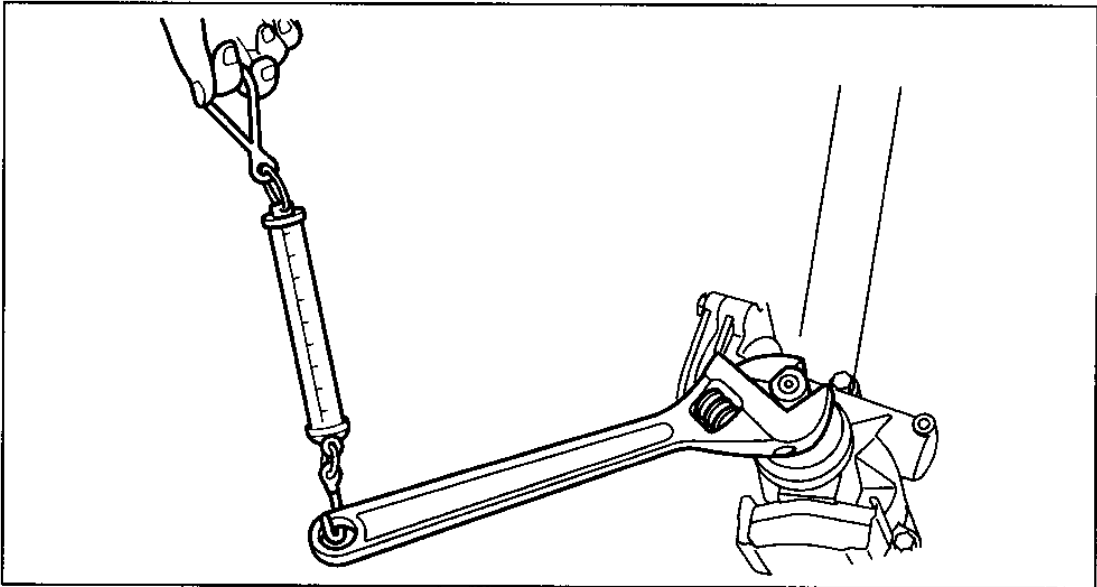
am3uuw000093



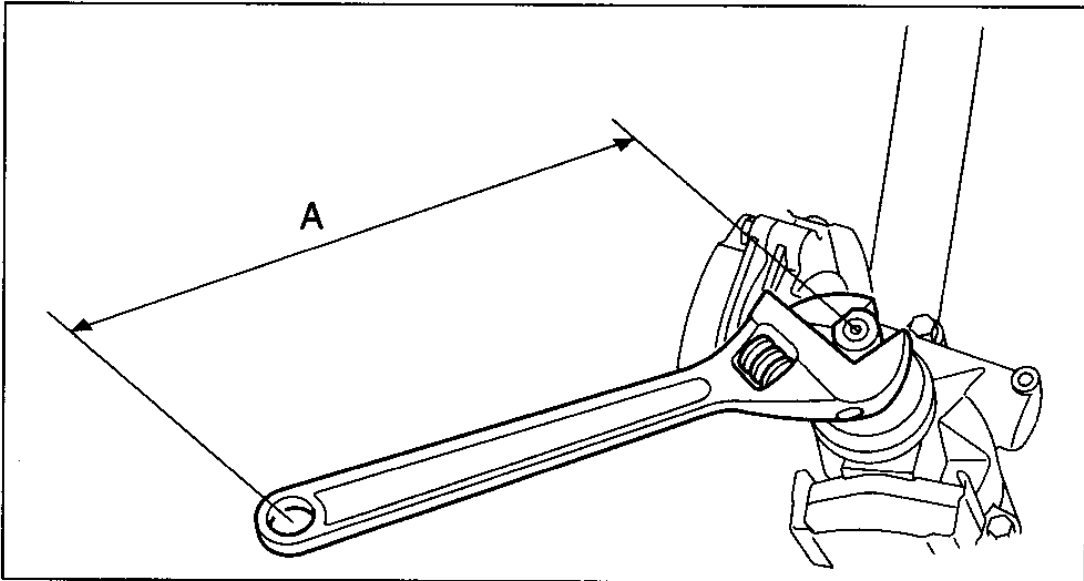
am3uuw0000093



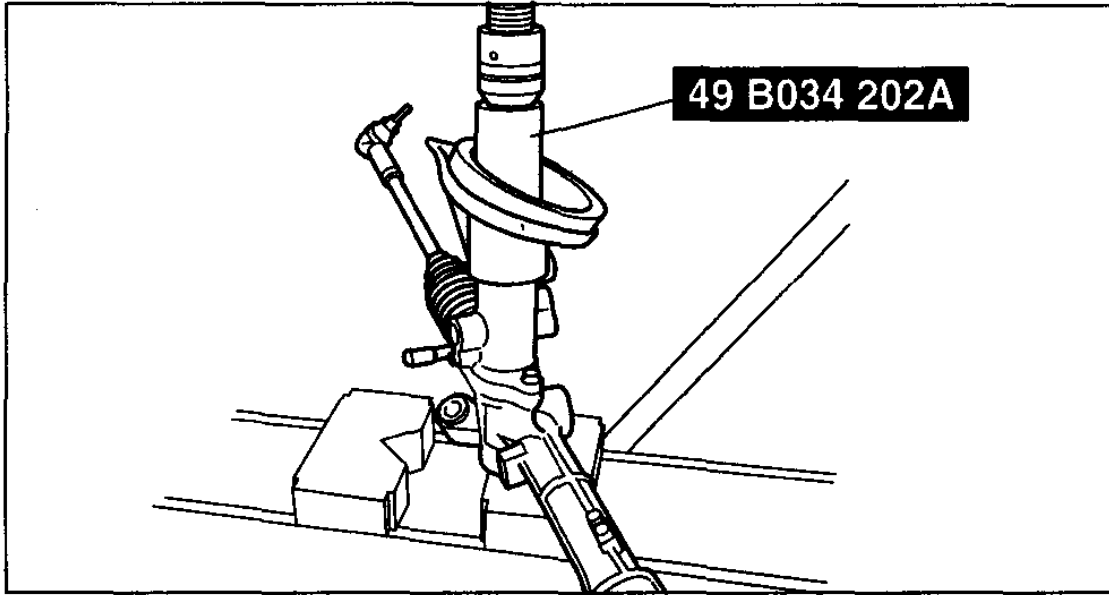
am3uuw0000141



am3uuw0000141

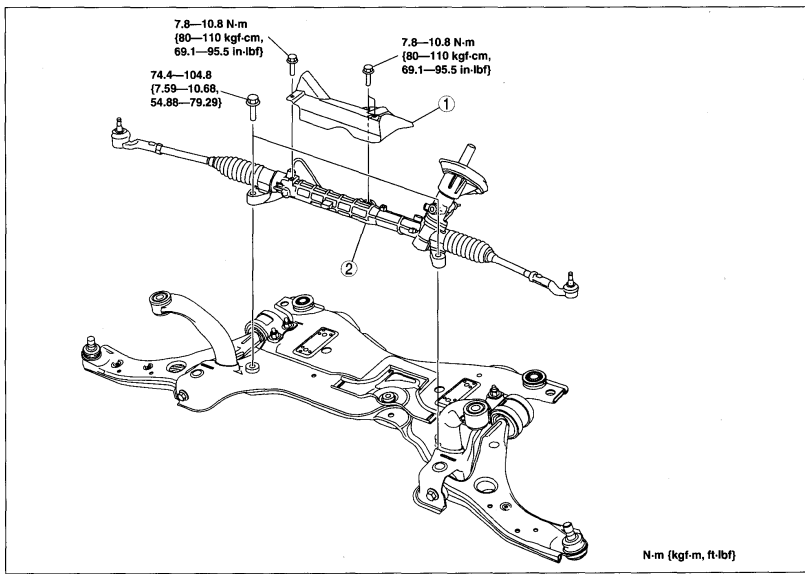


am3uuw0000141



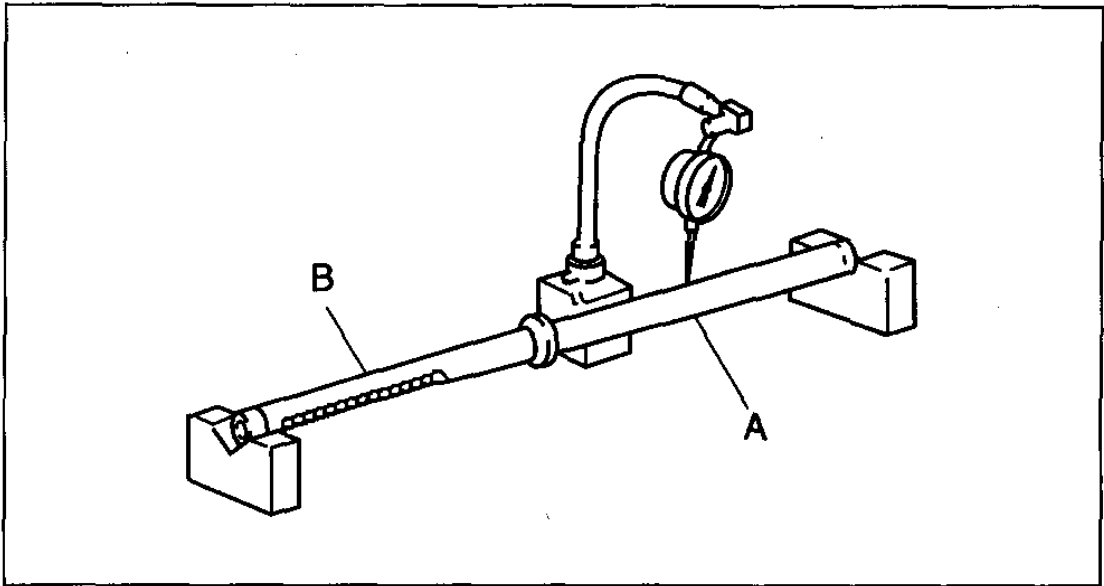
am3uuw0000094

Steering Gear and Linkage Removal/Installation (Article 1371202)

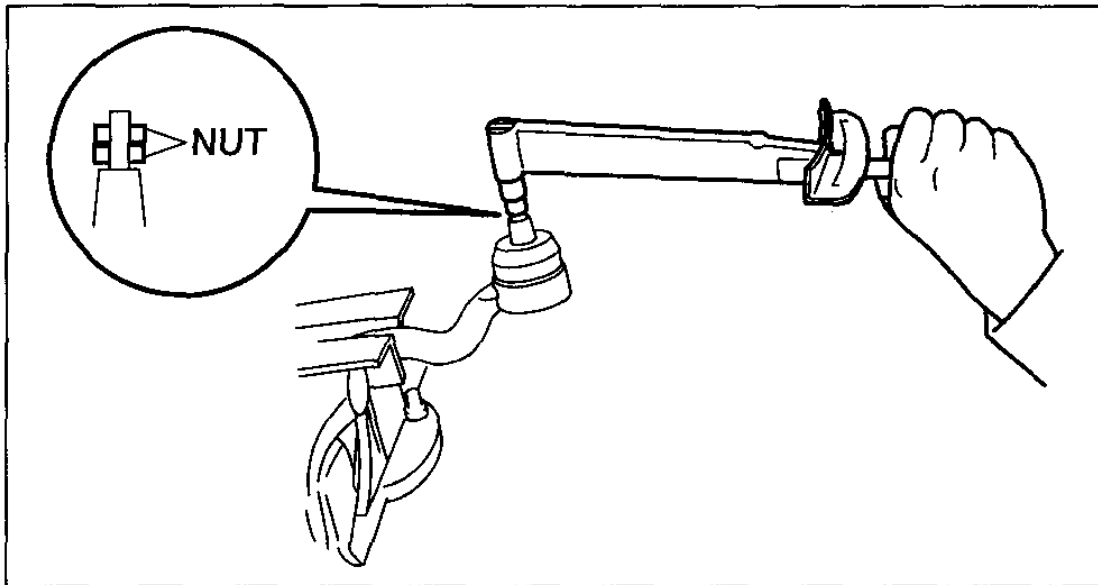


- 1 Insulator
- 2 Steering gear and linkage

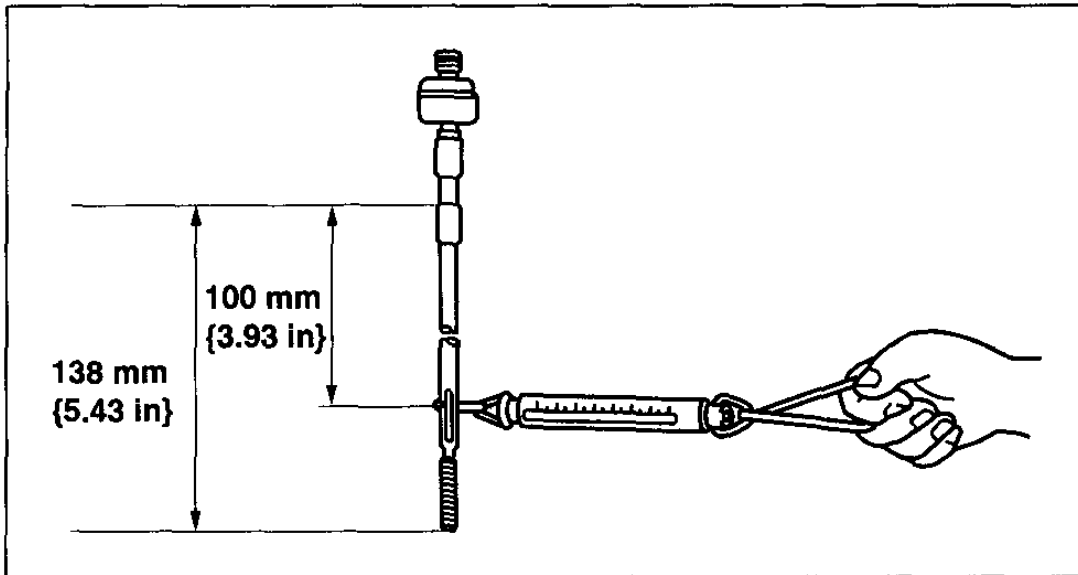
Steering Gear and Linkage Inspection (Article 1420942)



A6E0612W041



B3E0614W046



ADA6613W019