

Component Procedures: Starter Motor

Table of Contents

1. Parts and Labor (itype_189)
2. Overhaul (itype_402)
3. Removal and Replacement (itype_401)
4. All Technical Service Bulletins (itype_100)
5. Customer Interest Bulletins (itype_109)
6. Component Tests and General Diagnostics (itype_383)
7. Starting problems (itype_171)

Component Procedures: Starter Motor

Parts and Labor (itype_189)

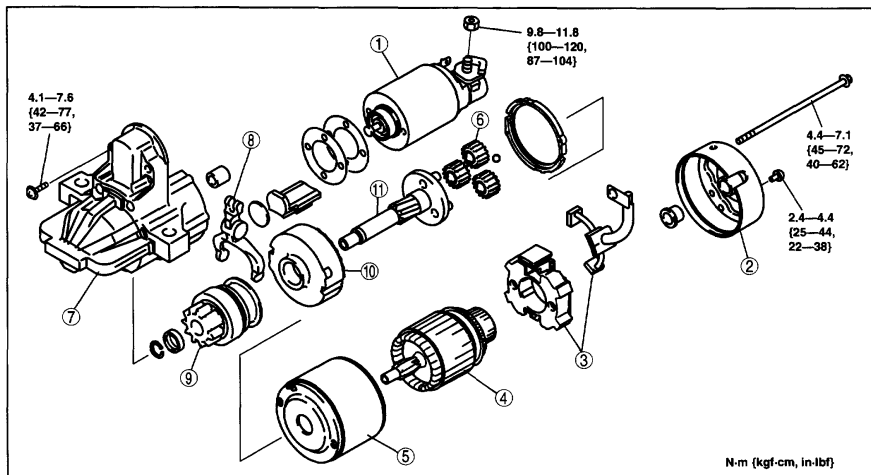
Parts

Qualifier	Part #	Name	Price	Note
Starter	L32718400	1 - Starter	286.57	

Labor

Operation	Qualifier Path	Skill	Std Hrs	Wty Hrs
Diagnose/Test	Circuit, Inspect	B	0.5	0.0
Diagnose/Test	Starter Draw, Test	B	0.3	0.0
Replace	Starter, R&R	B	0.9	0.6

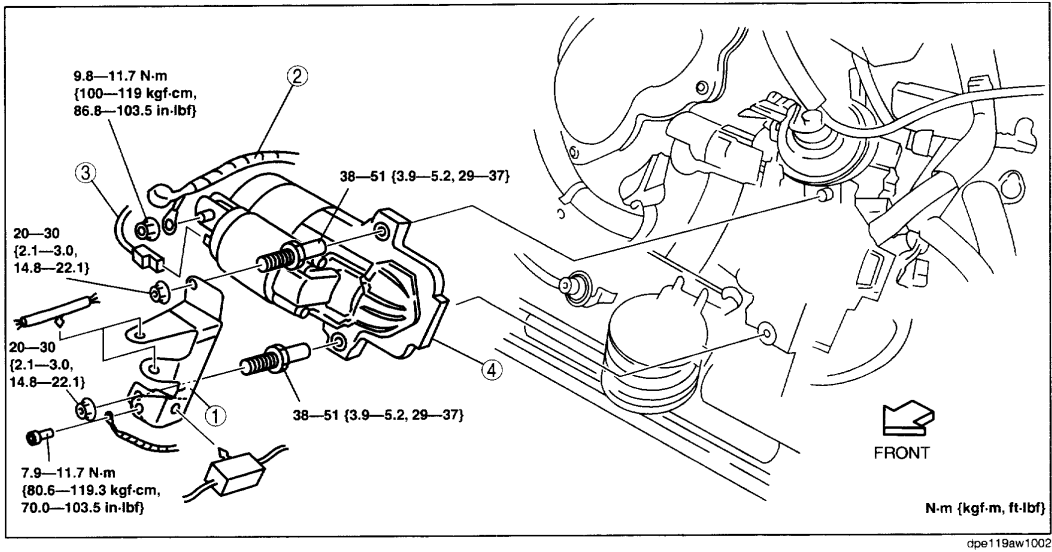
Overhaul (itype_402)



1	Magnetic switch
2	Rear housing
3	Brush and brush holder
4	Armature
5	Yoke
6	Planetary gear

7	Front cover
8	Lever
9	Drive pinion
10	Internal gear
11	Gear shaft

Removal and Replacement (itype_401)



1	Wiring harness bracket
2	Terminal B cable

3	Terminal S connector
4	Starter

All Technical Service Bulletins (itype_100)

Tsbs

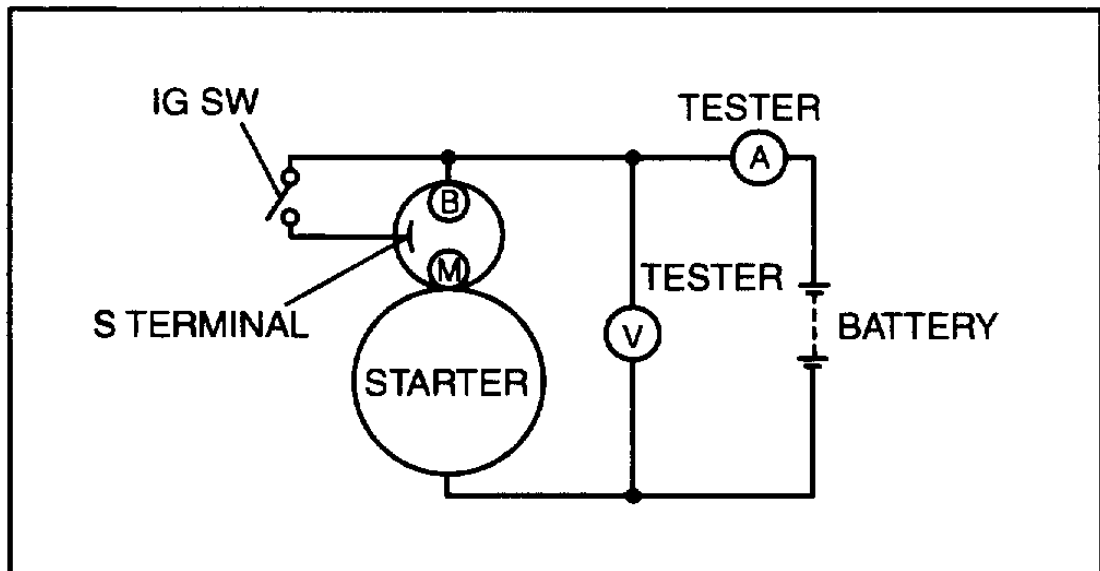
- Starting System - Intermittent No Crank/No Start (0103708, 2008/07/17)

Customer Interest Bulletins (itype_109)

Tsbs

- Starting System - Intermittent No Crank/No Start (0103708, 2008/07/17)

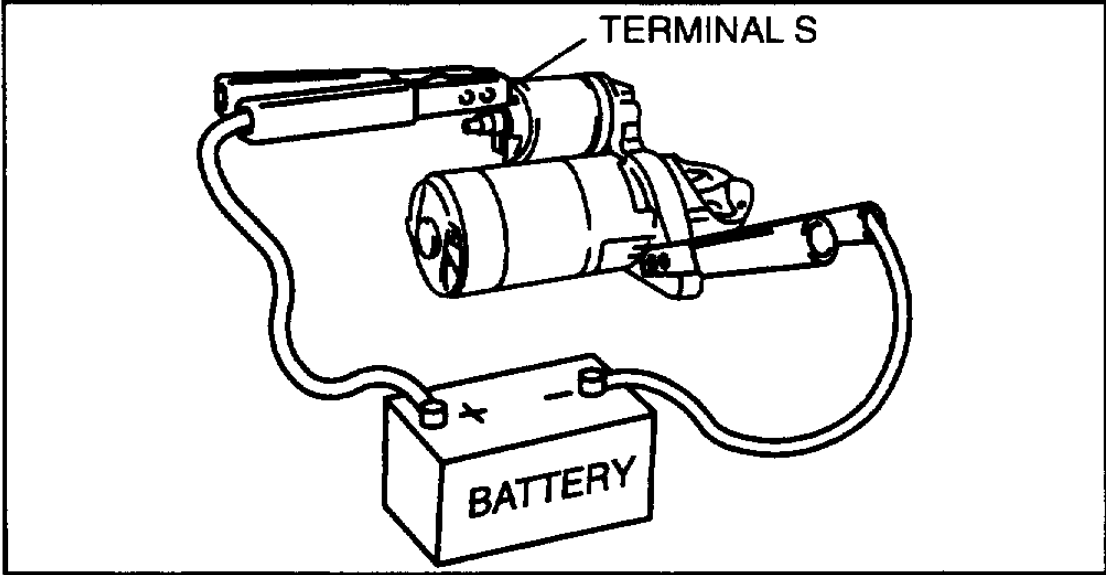
Component Tests and General Diagnostics (itype_383)



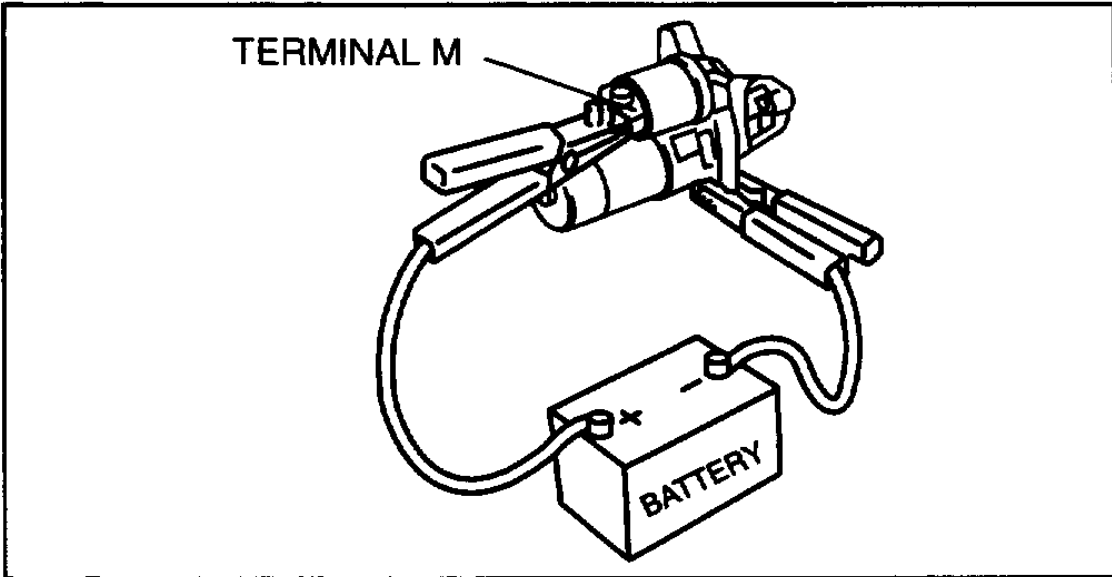
DPE119AW1003

Standard current

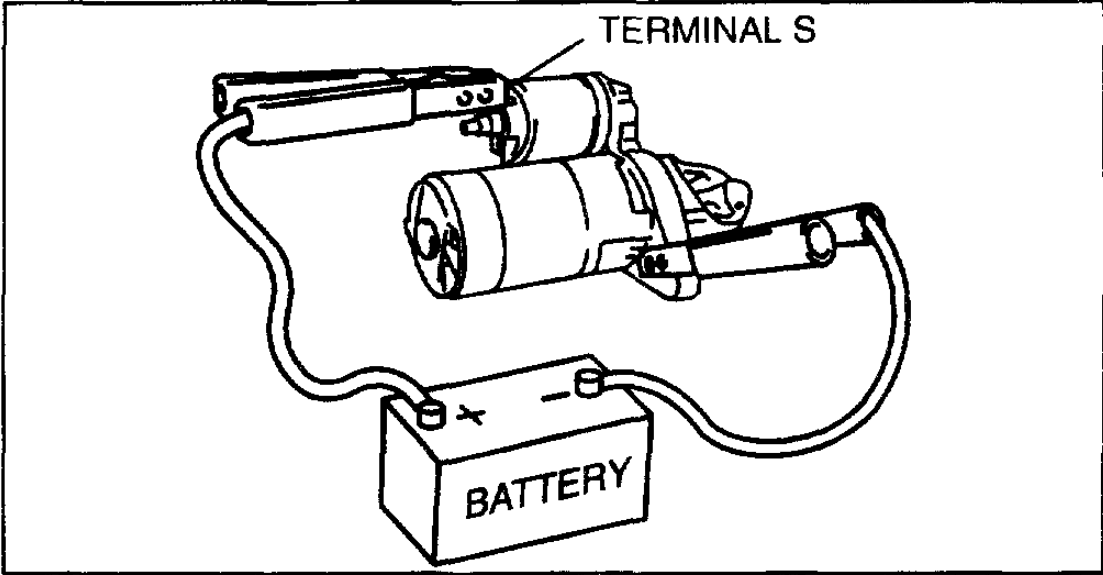
Item	
Voltage (V)	Current (A)
11	90 or less



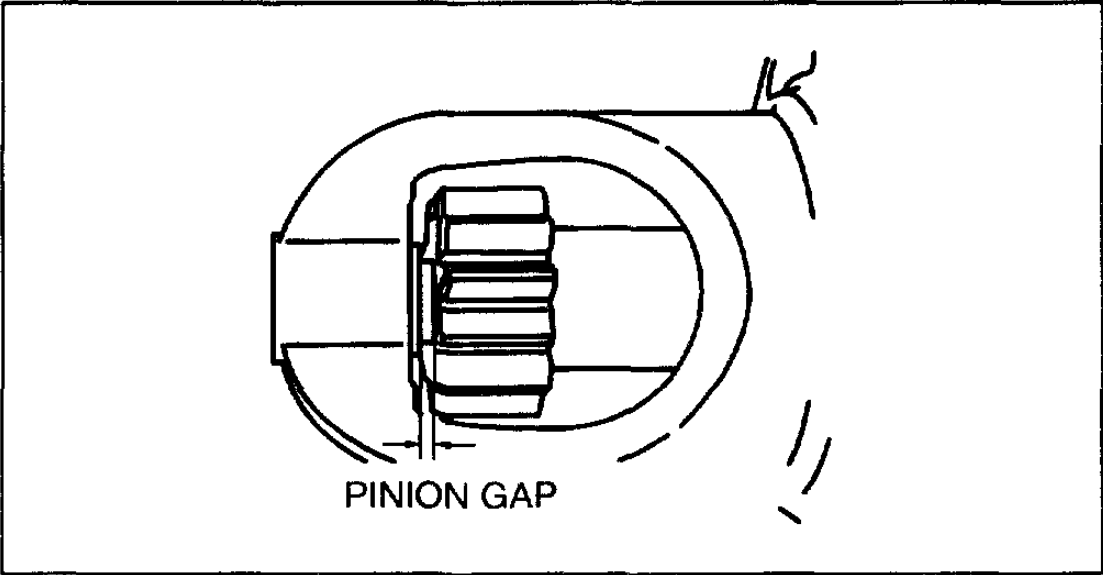
CHU0119W023



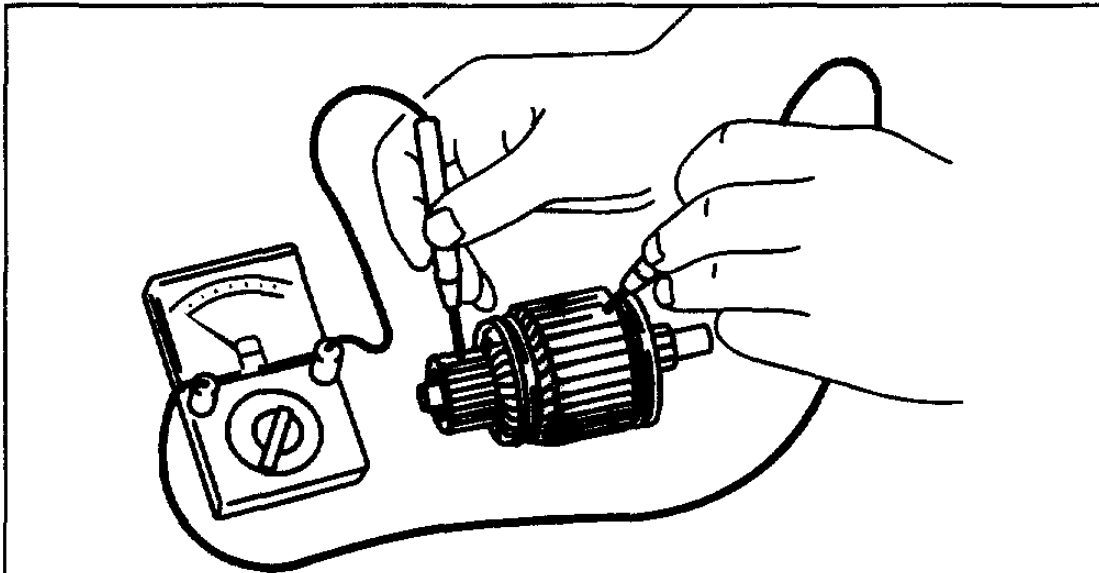
CHU0119W022



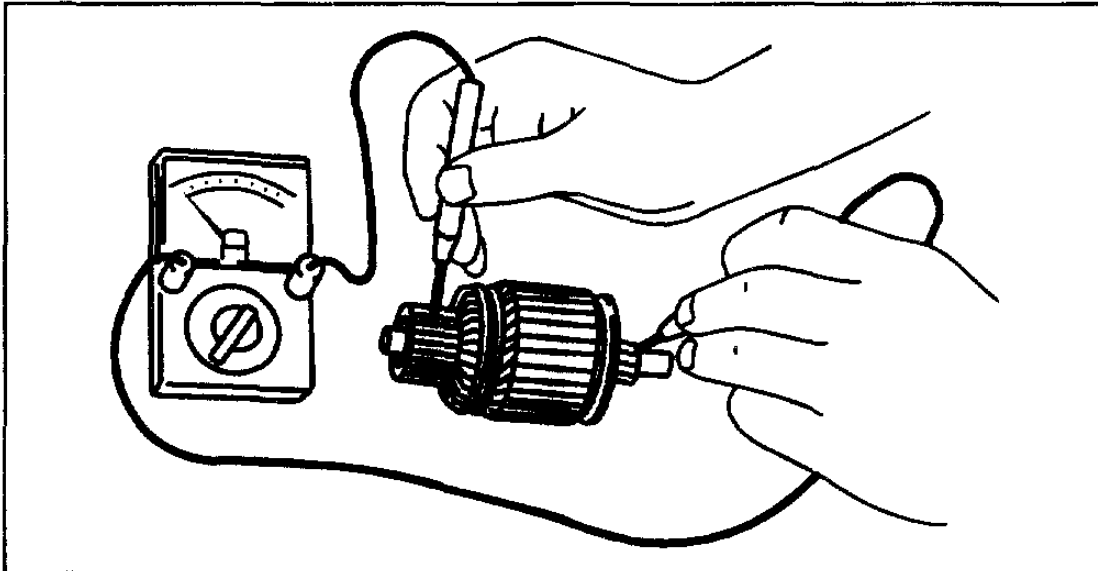
CHU0119W023



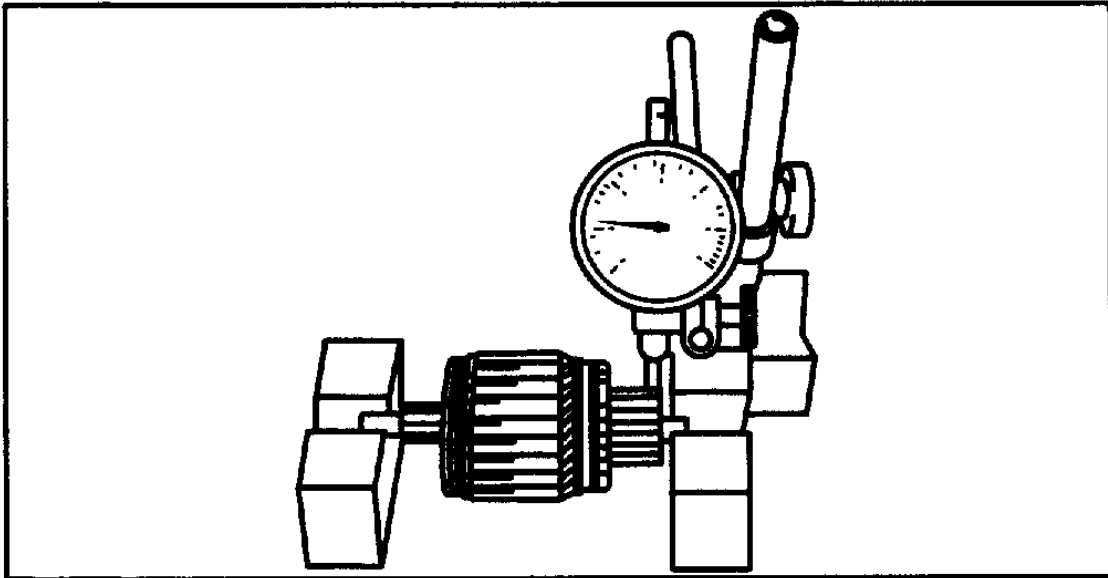
CHU0119W015



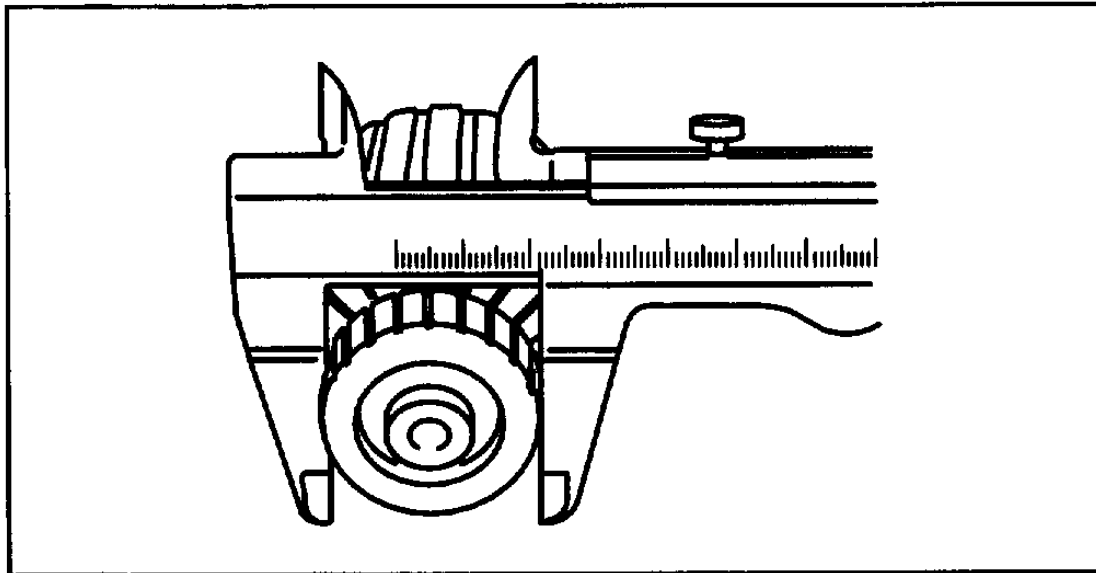
CHU0119W016



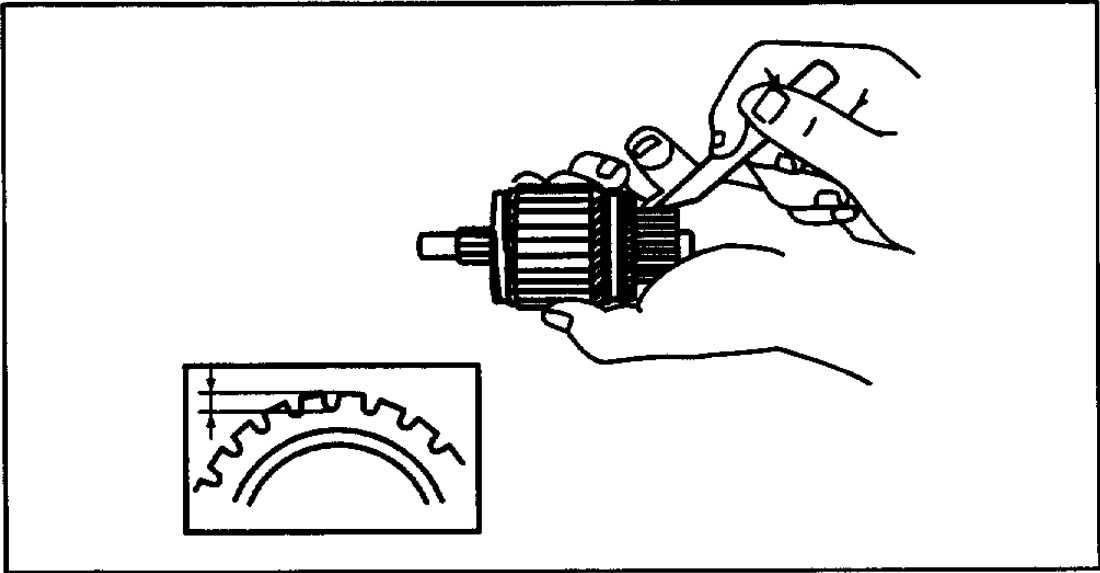
CHU0119W017



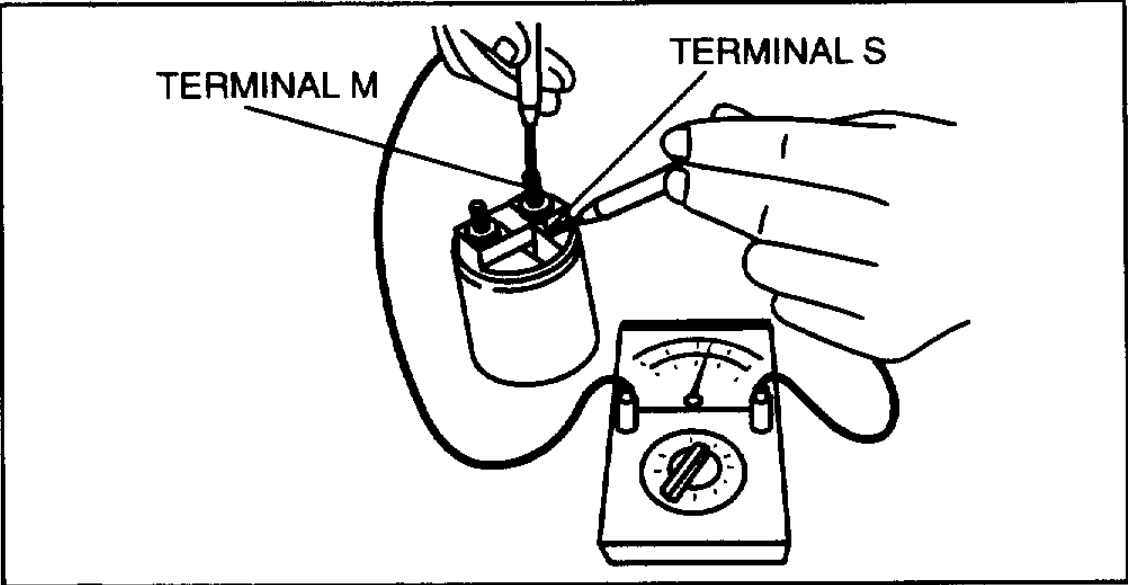
CHU0119W018



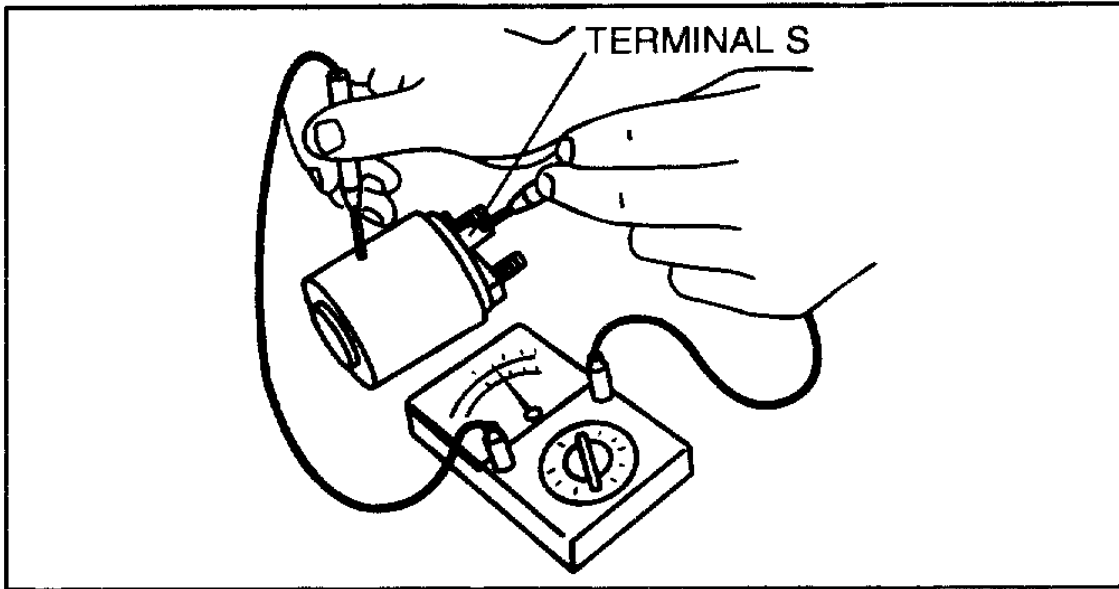
CHU0119W019



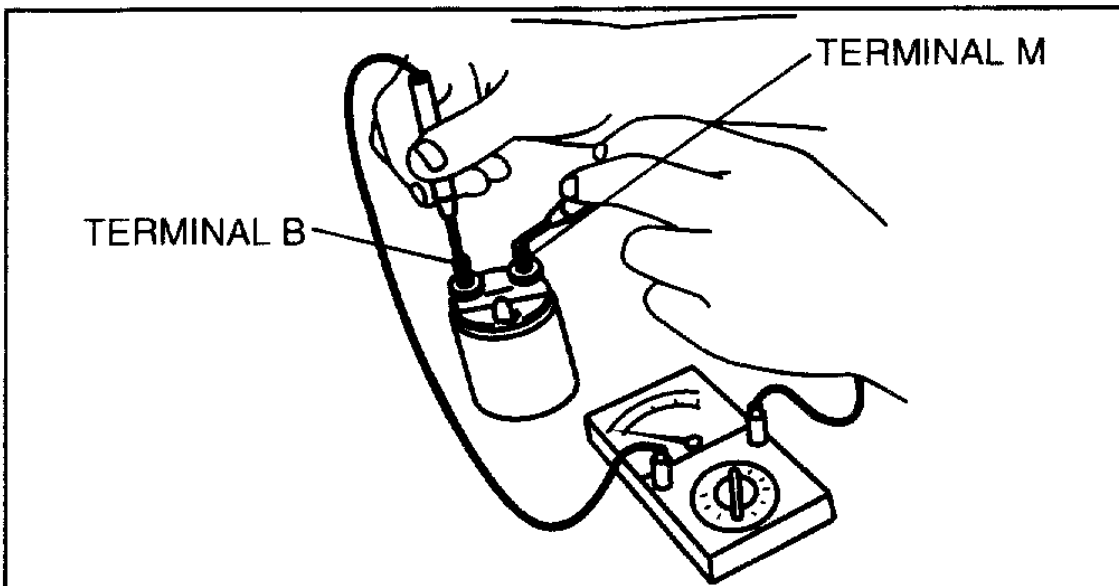
CHU0119W020



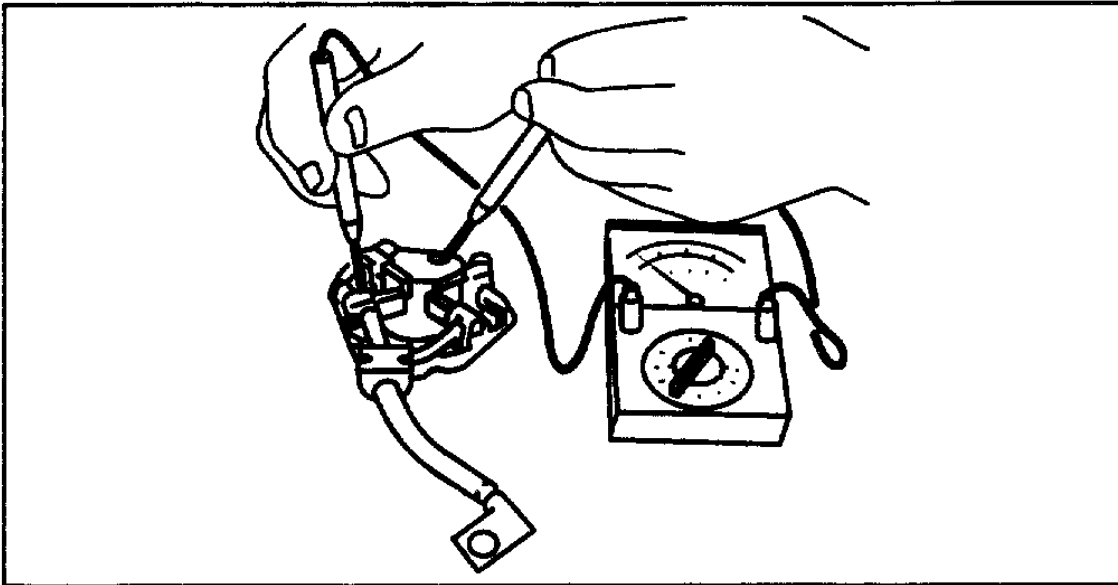
CHU0119W007



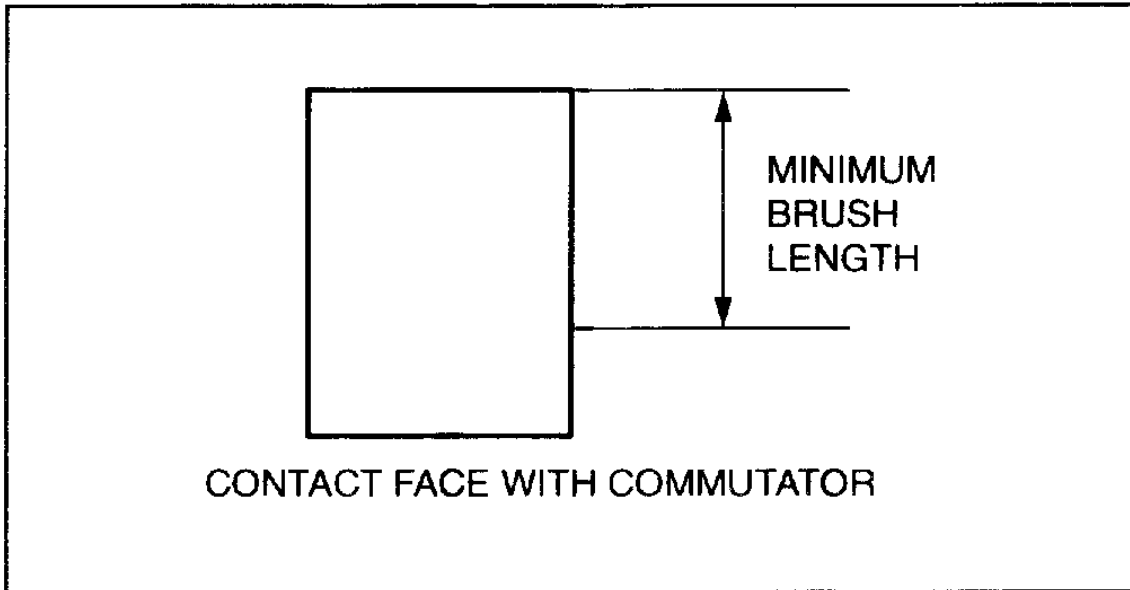
CHU0119W008



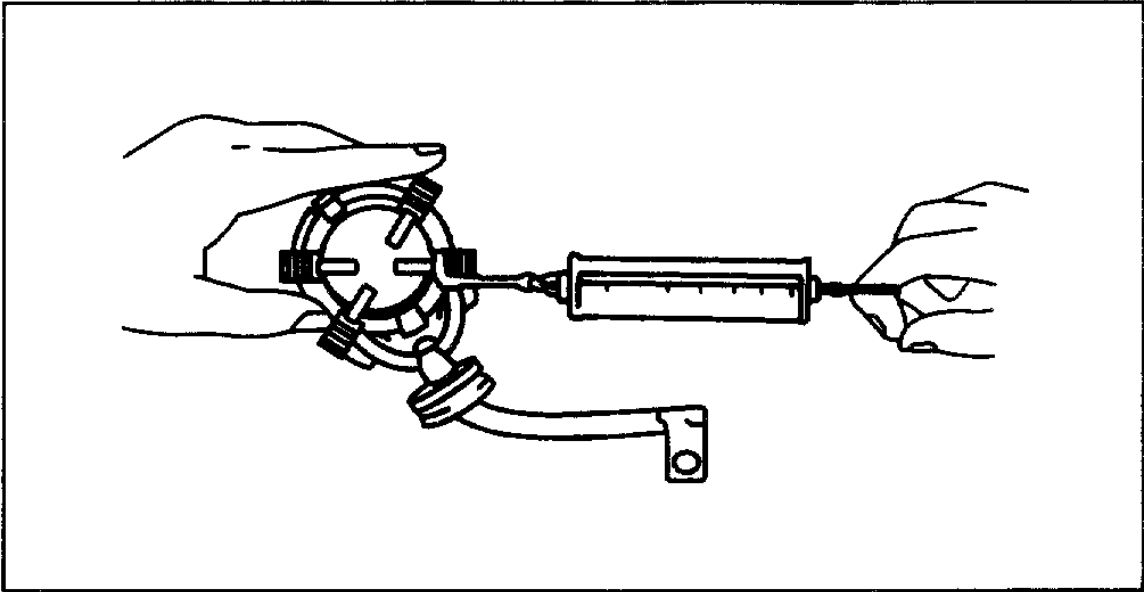
CHU0119W009



CHU0119W012



CHU0119W013



CHU0119W014

Starting problems (itype_171)

Tsbs

- Starting System - Intermittent No Crank/No Start (0103708, 2008/07/17)