

Component Procedures: Fuel Gauge Sender

Table of Contents

1. Parts and Labor (itype_189)
2. Electrical (OE) (itype_21)

Component Procedures: Fuel Gauge Sender

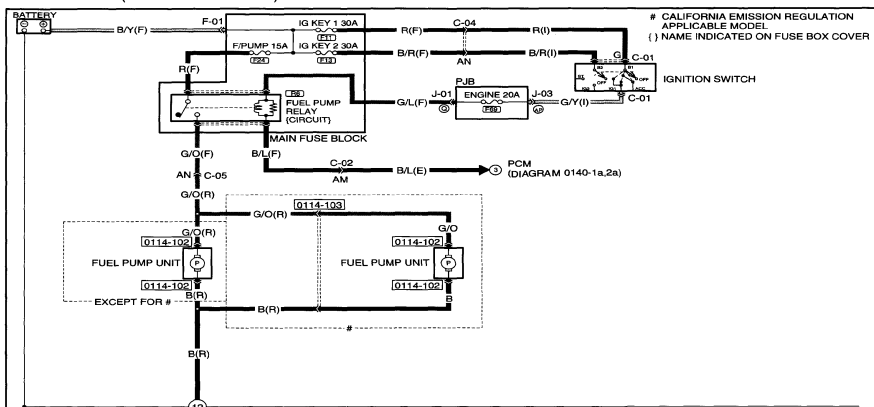
Parts and Labor (itype_189)

Labor

Operation	Qualifier Path	Skill	Std Hrs	Wty Hrs
Replace	Fuel Gauge Sending Unit, R&R	B	2.5	1.8

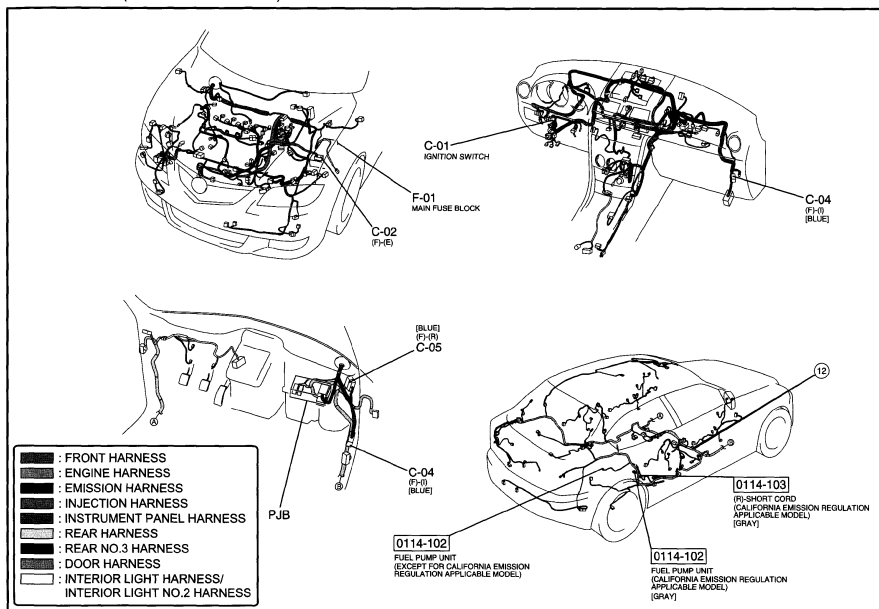
Electrical (OE) (itype_21)

FUEL SYSTEM (EXCEPT L3 WITH TC) 0114-1



0114-102 FUEL PUMP UNIT	0114-103 REAR HARNESS-SHORT CORD	REAR HARNESS	SHORT CORD
(CALIFORNIA EMISSION REGULATION APPLICABLE MODEL)	(EXCEPT FOR CALIFORNIA EMISSION REGULATION APPLICABLE MODEL)		

FUEL SYSTEM (EXCEPT L3 WITH TC) 0114-1



- : FRONT HARNESS
- : ENGINE HARNESS
- : EMISSION HARNESS
- : INJECTION HARNESS
- : INSTRUMENT PANEL HARNESS
- : REAR HARNESS
- : REAR NO.3 HARNESS
- : DOOR HARNESS
- : INTERIOR LIGHT HARNESS/
INTERIOR LIGHT NO.2 HARNESS