

Component Procedures: Turn Signal Bulb

Table of Contents

1. Parts and Labor (itype_189)
2. Removal and Replacement (itype_401)

Component Procedures: Turn Signal Bulb

Parts and Labor (itype_189)

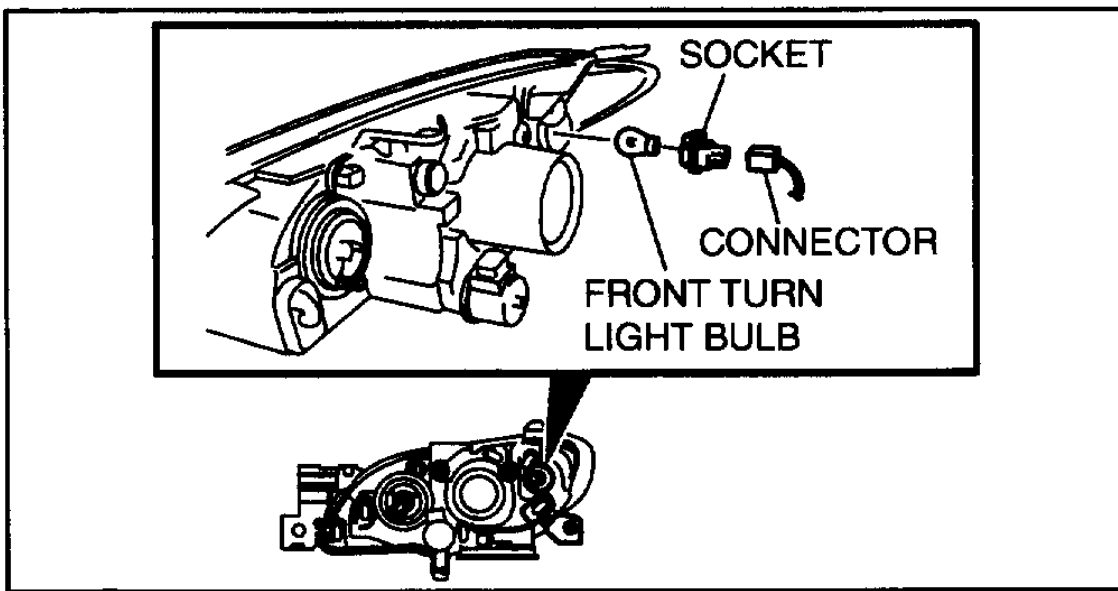
Parts

Qualifier	Part #	Name	Price	Note
Front Park & Turn Lamp > Wit?	0000111157NA	Exterior Bulbs	4.06	
Front Park & Turn Lamp > Wit?	0000111157NA	Exterior Bulbs	4.06	
Front Park & Turn Lamp > Wit?	997013210Y	Exterior Bulbs	5.39	
Front Park & Turn Lamp > Wit?	0000110194	Exterior Lamp Bulbs	2.83	

Labor

Operation	Qualifier Path	Skill	Std Hrs	Wty Hrs
Replace	Each	B	0.2	0.0

Removal and Replacement (itype_401)



B3E0918W110