

# **Component Procedures: Headlamp Switch**

## **Table of Contents**

1. Autolight Illumination Level Setting (Article 1422324)
2. Components (itype\_32)
3. Removal and Replacement (itype\_401)
4. Component Tests and General Diagnostics (itype\_383)

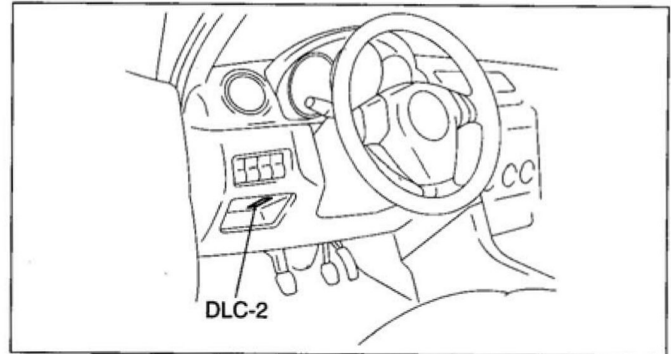
# Component Procedures: Headlamp Switch

## Autolight Illumination Level Setting (Article 1422324)

### AUTO LIGHT ILLUMINATION LEVEL SETTING

1. Connect the M-MDS to the DLC-2.
2. After the vehicle is identified, select the following items from the initialization screen of the M-MDS.
  - When using the IDS (laptop PC)
    1. Select "Module programming".
  - When using the PDS (Pocket PC)
    1. Select "Programming".
    2. Select "Module programming".
3. Select "Programmable Parameters".
4. Select "Exterior Lighting".
5. Select "Autolamp On Setting - (GEM)".
6. Select "Standard" other or "Low other" on the M-MDS to set the illumination level.

id091800803300

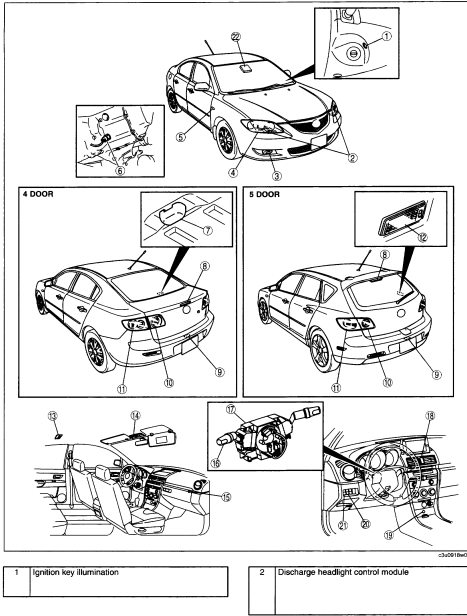


am3uuw0000051

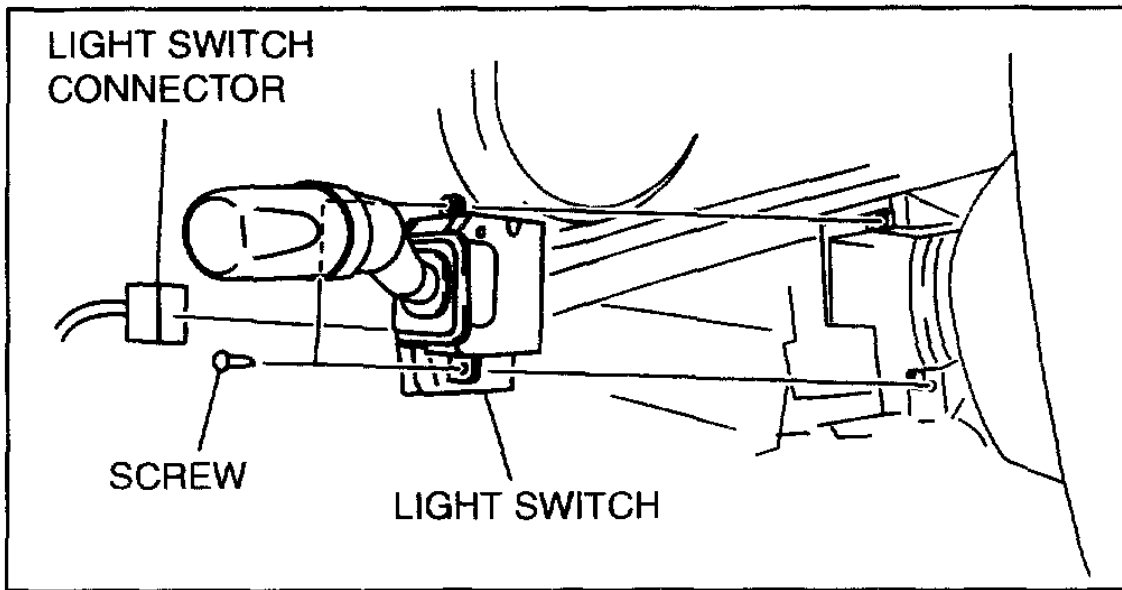
### Components (itype\_32)

3	Front fog light
4	Front combination light
5	Front side turn light
6	Back-up light switch (MTX)
7	Trunk compartment light
8	High-mount brake light
9	License plate light
10	Inboard light
11	Rear combination light

12	Cargo compartment light
13	Interior light
14	Map light
15	Glove compartment light
16	Light switch
17	Combination switch
18	Hazard warning switch
19	Ashtray illumination
20	Panel light control switch
21	Headlight leveling switch
22	Light sensor



**Removal and Replacement (itype\_401)**



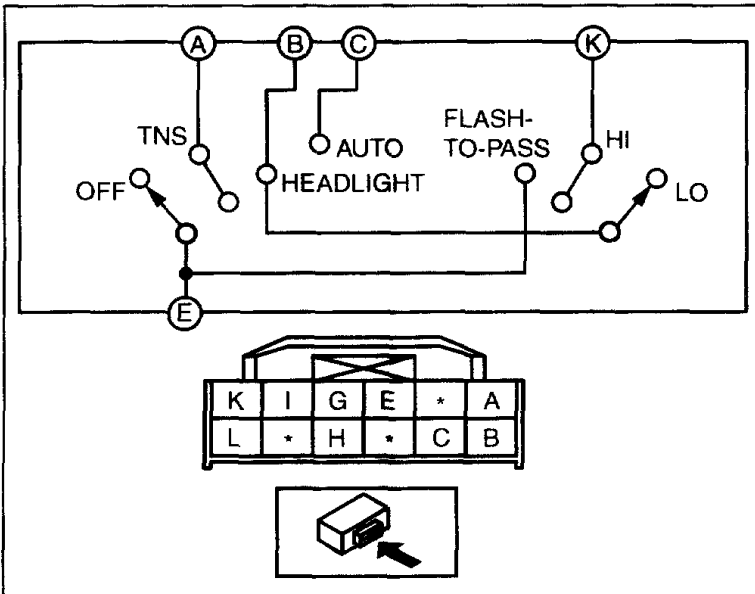
B3E0918W137

**Component Tests and General Diagnostics (itype\_383)**

○—○ : Continuity

Light	Switch position		Terminal				
	Dimmer	Flash-to-pass	A	B	C	E	K
OFF	—	OFF					
		ON		○—○		○—○	
TNS	—	OFF	○—○			○—○	
		ON	○—○	○—○		○—○	○—○
Head light	LO	OFF	○—○	○—○		○—○	
		ON	○—○	○—○		○—○	○—○
	HI	—	○—○	○—○		○—○	○—○
Auto	LO	OFF	○—○	○—○	○—○	○—○	
		ON	○—○	○—○	○—○	○—○	○—○
	HI	—	○—○	○—○	○—○	○—○	○—○

B3E0918W139

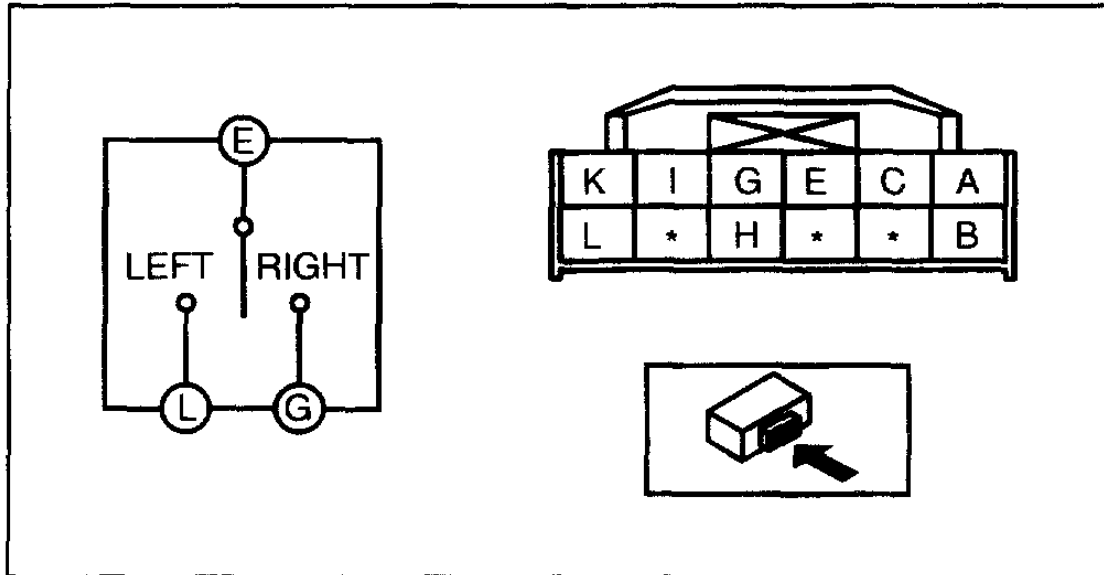


b3e0918w138

○ — ○ : Continuity

Switch position	Terminal		
	L	E	G
Left	○ — ○		
OFF			
Right		○ — ○	

B3E0918W141



b3e0918w140