

Component Procedures: Wiper Motor

Table of Contents

1. Parts and Labor (itype_189)
2. Electrical (OE) (itype_21)
3. Components (itype_32)
4. Overhaul (itype_402)
5. Windshield Wiper Motor (Article 1421689)
6. Rear Wiper Motor (Article 1421690)
7. All Technical Service Bulletins (itype_100)
8. Rear Wiper Motor (Article 1421765)
9. Safety (itype_107)

Component Procedures: Wiper Motor

Parts and Labor (itype_189)

Parts

Qualifier	Part #	Name	Price	Note
Front Motor > From 10/13/05	BN8V67340	Front Motor	243.95	
Rear Motor	BP4K67450A	Rear Motor	282.59	

Labor

Operation	Qualifier Path	Skill	Std Hrs	Wty Hrs
Replace	Front Motor	B	0.9	0.6
Replace	Rear Motor	B	0.6	0.4

Electrical (OE) (itype_21)

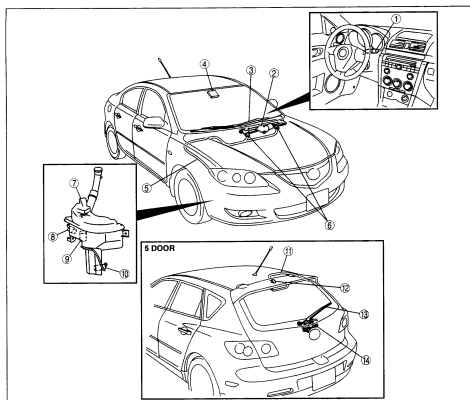
For information regarding diagrams for this component, please refer to Wiper and Washer Systems Diagrams.

See: Wiper and Washer Systems > Electrical

Components (itype_32)

9	Washer fluid-level sensor
10	Windshield washer motor
11	Rear washer hose

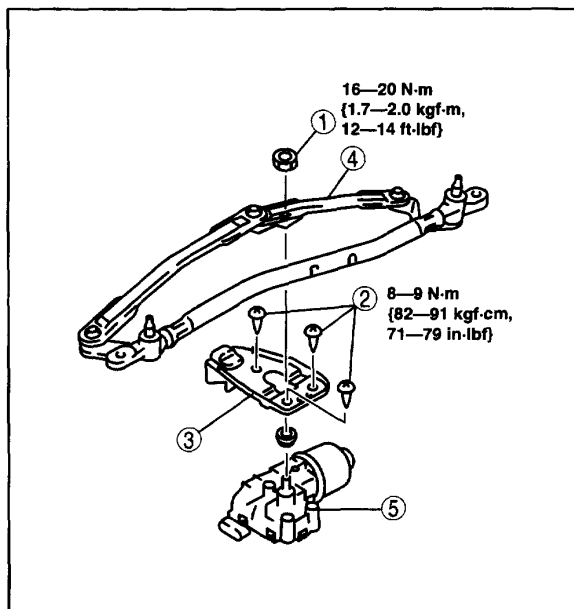
12	Rear washer nozzle
13	Rear wiper arm and blade
14	Rear wiper motor

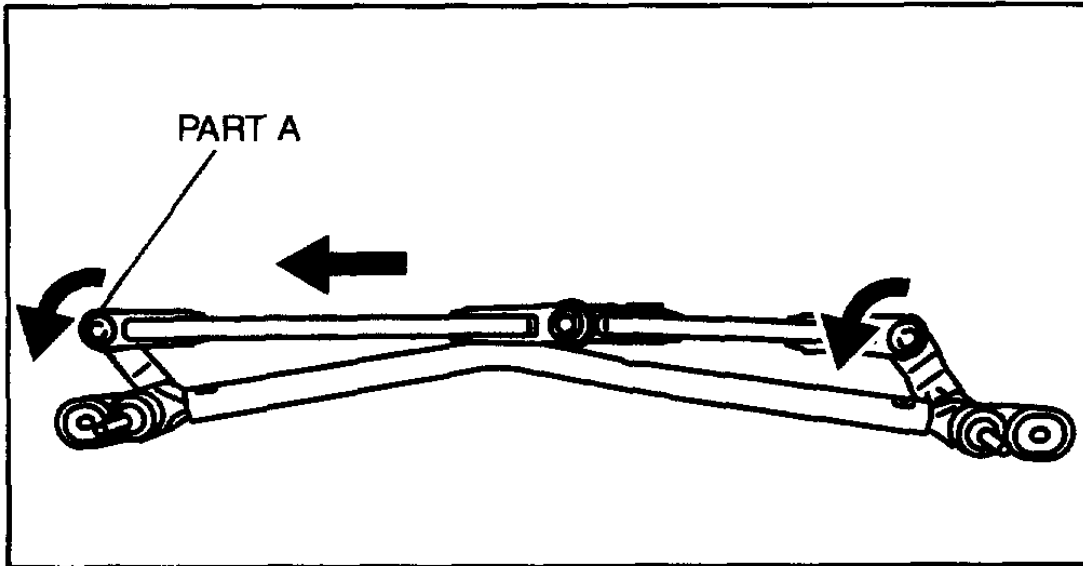


1	Windshield wiper and washer switch	4	Rain sensor
2	Windshield wiper motor	5	Windshield washer hose
3	Windshield wiper arm and blade	6	Windshield washer nozzle
		7	Washer tank
		8	Rear washer motor

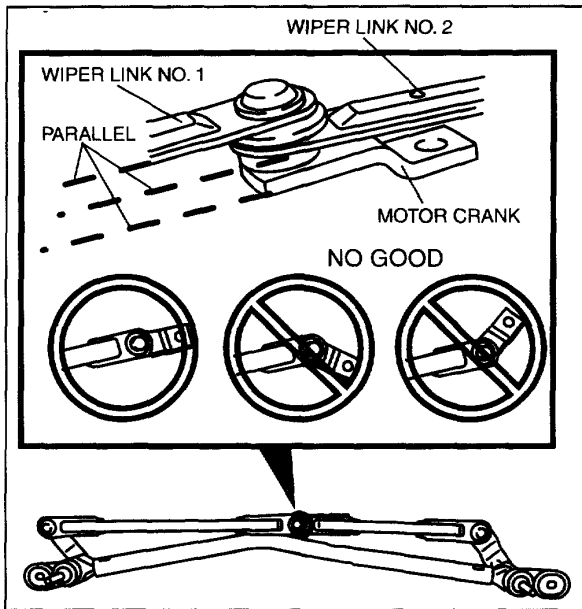
Overhaul (itype_402)

1	Nut
2	Screw
3	Bracket
4	Windshield wiper link
5	Windshield wiper motor



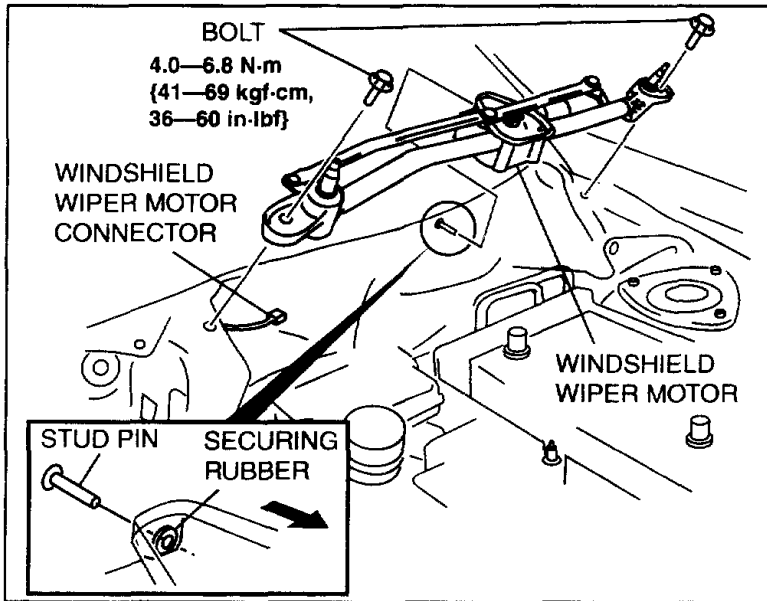


d3u919zw600b



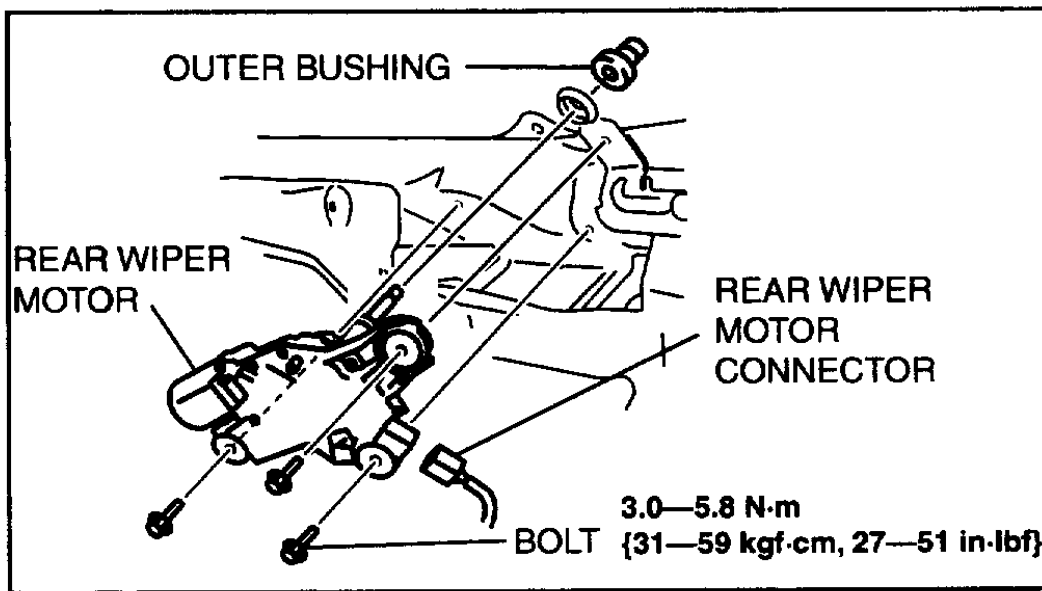
d3u919zw600c

Windshield Wiper Motor (Article 1421689)



b3e0919w104

Rear Wiper Motor (Article 1421690)



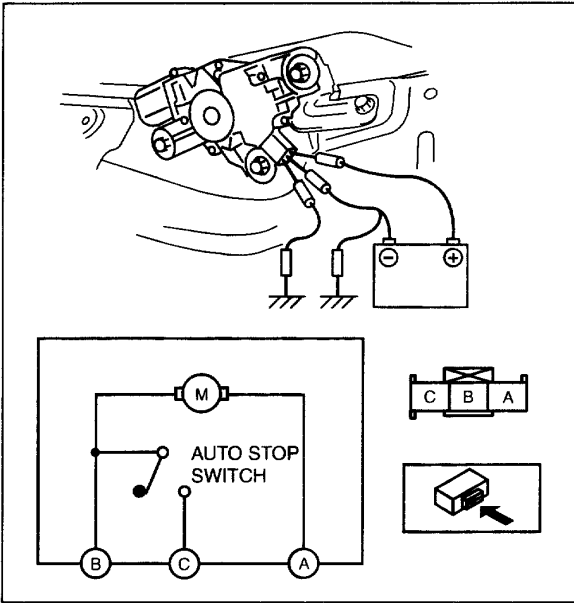
B3E0919W131

All Technical Service Bulletins (itype_100)

Tsbs

- Recall 11V329000: Potential Wiper Motor Failure (NHTSA11V329000, 2011/06/15)
- Recall - Windshield Wiper Motor Inspection/Repair (6411F, 2011/07/01)

Rear Wiper Motor (Article 1421765)



b3e0919w132

Safety (itype_107)

Tsbs

- Recall 11V329000: Potential Wiper Motor Failure (NHTSA11V329000, 2011/06/15)
- Recall - Windshield Wiper Motor Inspection/Repair (6411F, 2011/07/01)