

Component Procedures: Camshaft

Table of Contents

1. Parts and Labor (itype_189)
2. Mechanical (including Torque) (itype_28)
3. All Technical Service Bulletins (itype_100)
4. Repair Tips (itype_110)
5. Camshaft Inspection (Article 1421581)
6. Tools and Equipment (itype_113)

Component Procedures: Camshaft

Parts and Labor (itype_189)

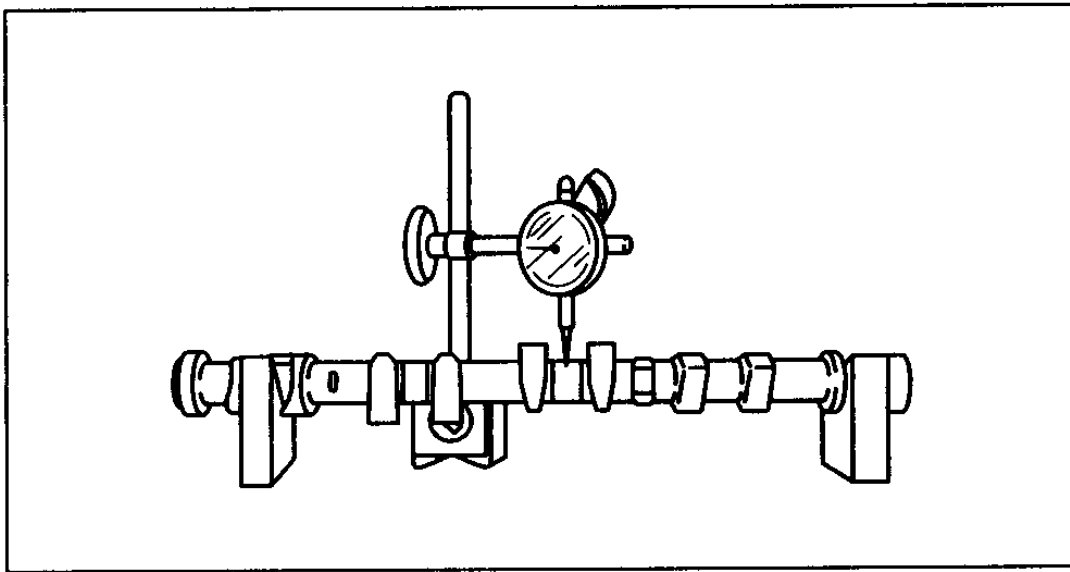
Parts

Qualifier	Part #	Name	Price	Note
Camshaft > Intake	L3G212420	13 - Camshaft	50.86	
Camshaft > Exhaust	L30912441A	13 - Exhaust Camshaft	49.28	

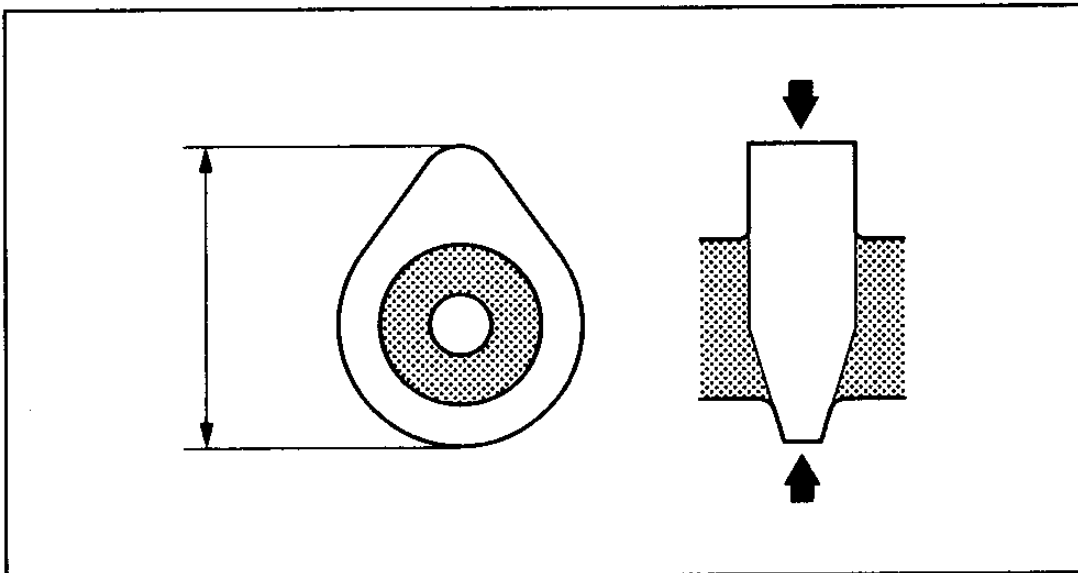
Labor

Operation	Qualifier Path	Skill	Std Hrs	Wty Hrs
Replace	All	B	2.6	2.2
Replace	One > Exhaust	B	2.5	1.8
Replace	One > Intake	B	2.5	1.9

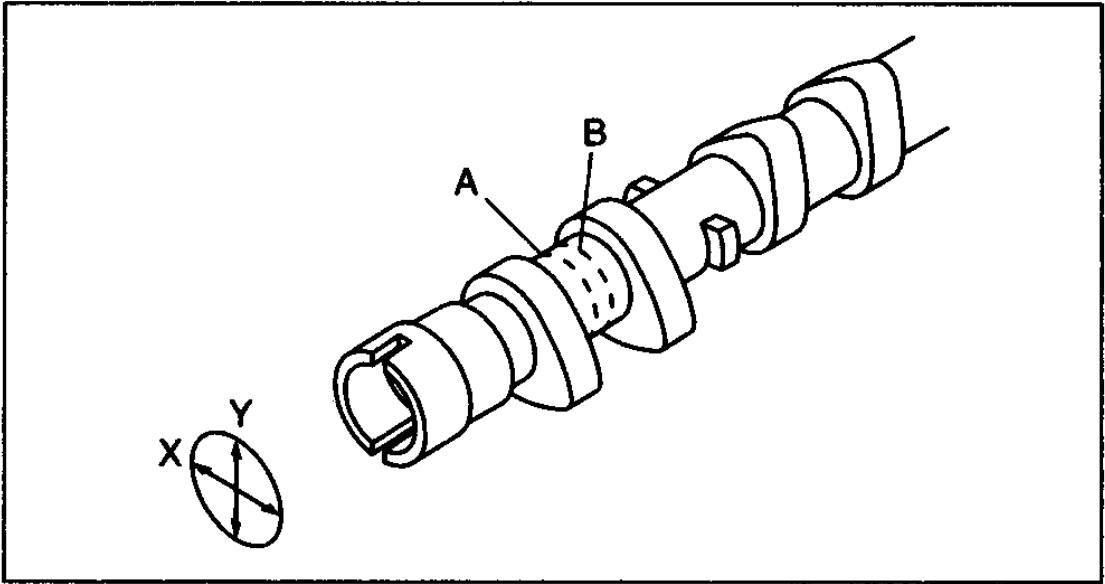
Mechanical (including Torque) (itype_28)



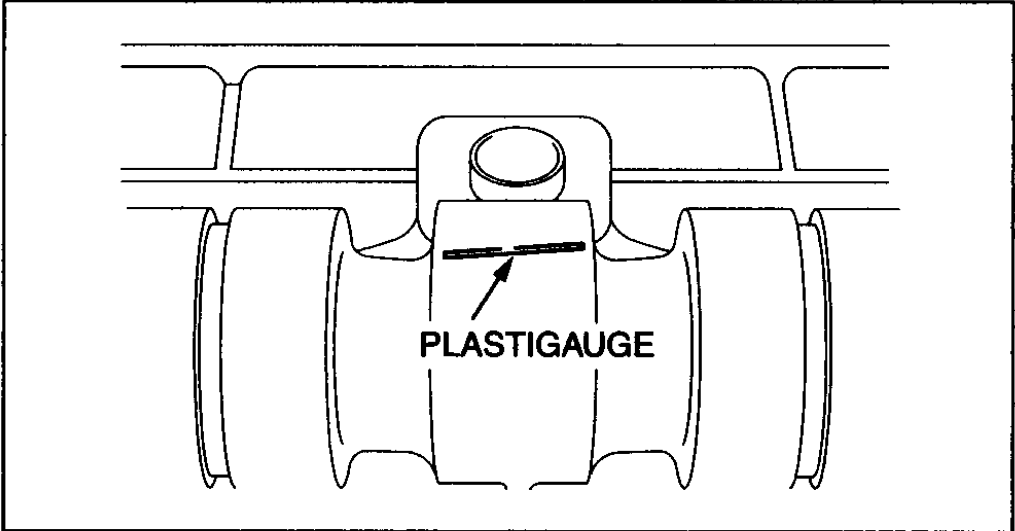
B3E0110E074



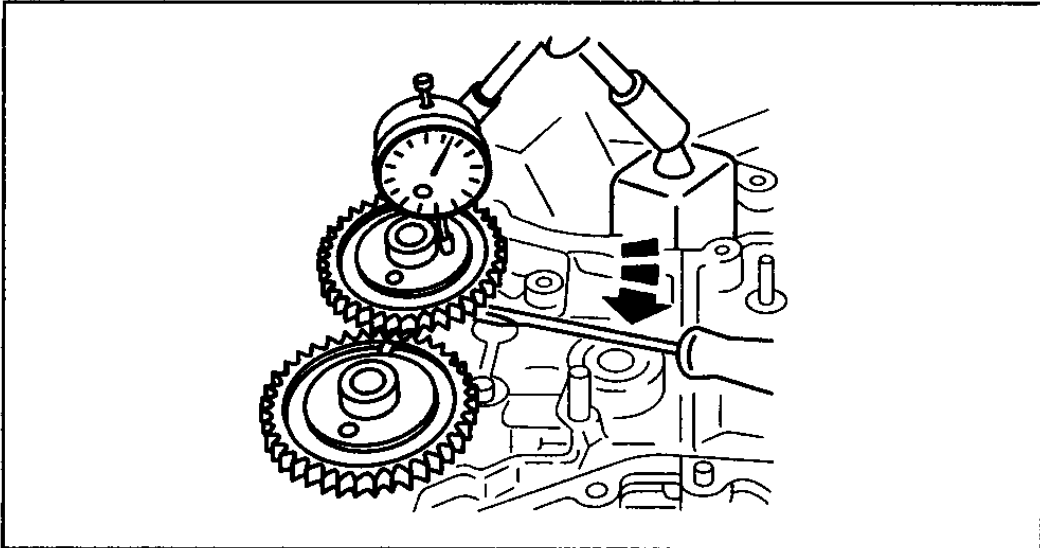
B3E0110E076



B3E0110E075



B3E0110E077



B3E0110E078

All Technical Service Bulletins (itype_100)

Tsbs

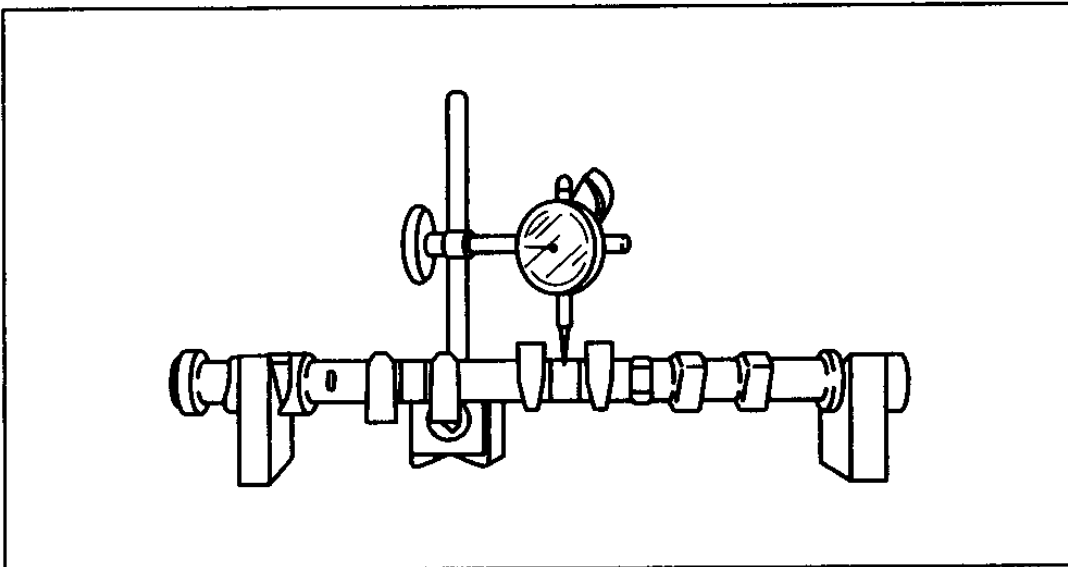
- Engine - Camshaft Timing Information (MTIP-07-12-5, 2007/12/01)

Repair Tips (itype_110)

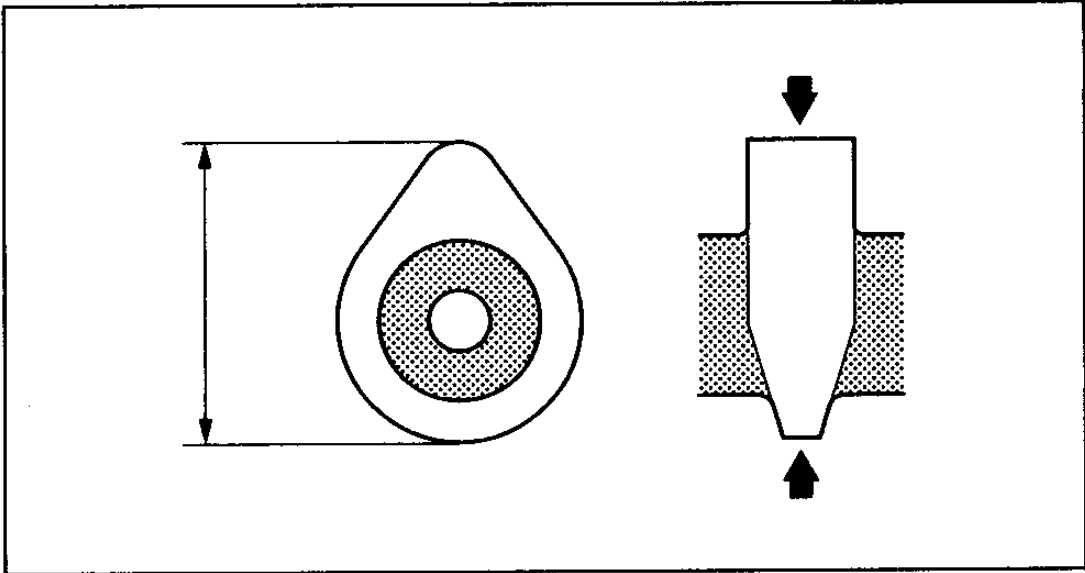
Tsbs

- Engine - Camshaft Timing Information (MTIP-07-12-5, 2007/12/01)

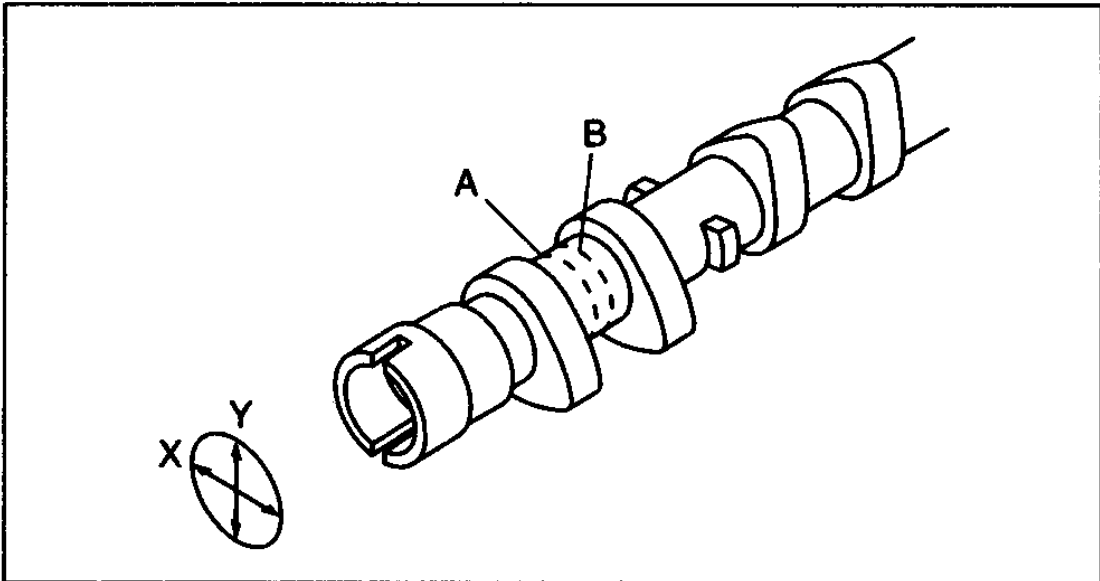
Camshaft Inspection (Article 1421581)



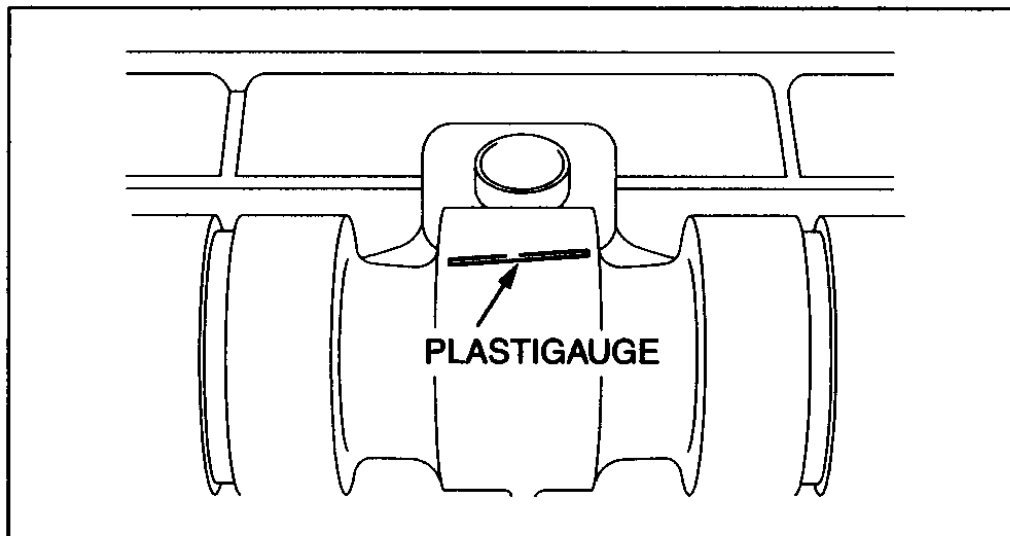
B3E0110E074



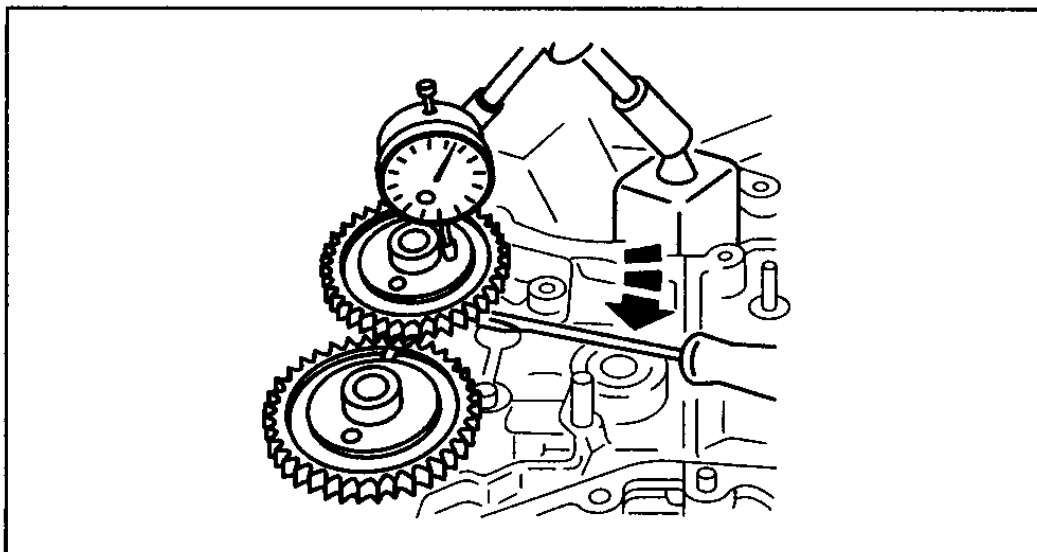
B3E0110E076



B3E0110E075



B3E0110E077



B3E0110E078

Tools and Equipment (itype_113)

Tsbs

- Engine - Camshaft Timing Information (MTIP-07-12-5, 2007/12/01)