

# **Component Procedures: Timing Chain**

## **Table of Contents**

1. Parts and Labor (itype\_189)
2. Timing Chain Removal/Installation (Article 1366602)

# Component Procedures: Timing Chain

## Parts and Labor (itype\_189)

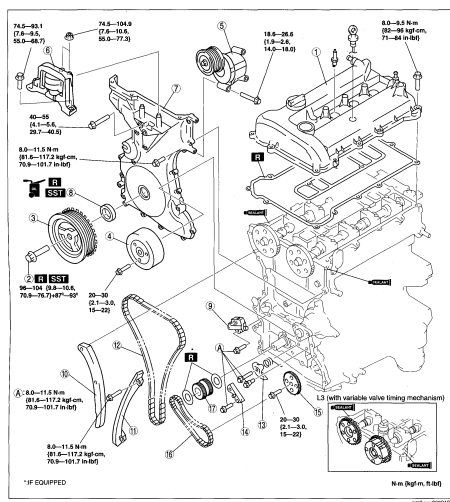
### Parts

Qualifier	Part #	Name	Price	Note
Timing Chain > From 9/1/06 t?	L30112201	15 - Timing Chain	60.19	

### Labor

Operation	Qualifier Path	Skill	Std Hrs	Wty Hrs
Replace	Timing Chain, R&R	B	3.7	2.9
Replace	Timing Chain, R&R > NOTE > To R&R Tensioner, ?	B	0.1	0.0
Replace	Timing Chain, R&R > NOTE > To Replace Pulley, ?	B	0.2	0.0

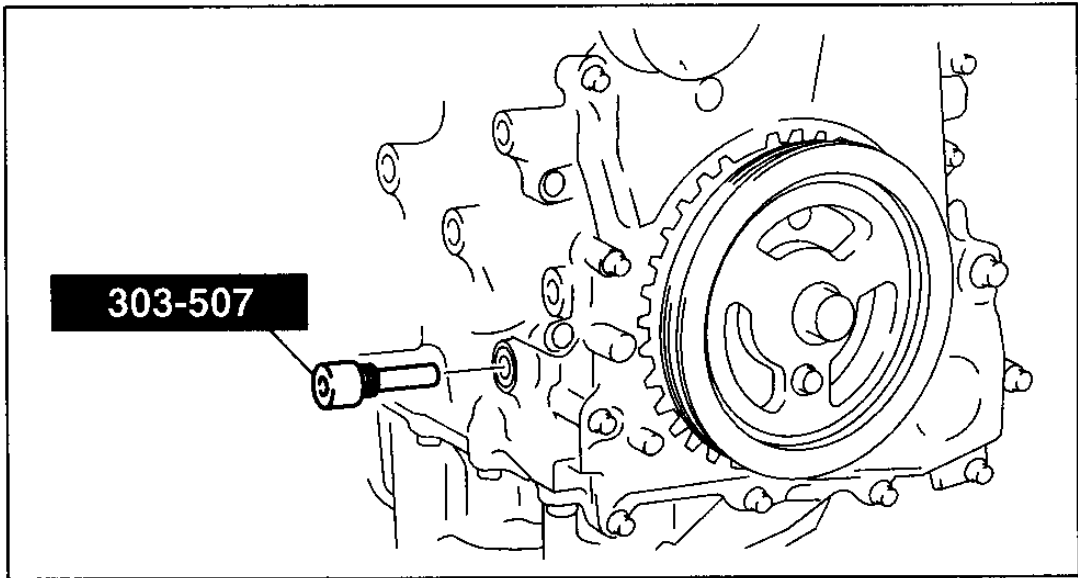
## Timing Chain Removal/Installation (Article 1366602)



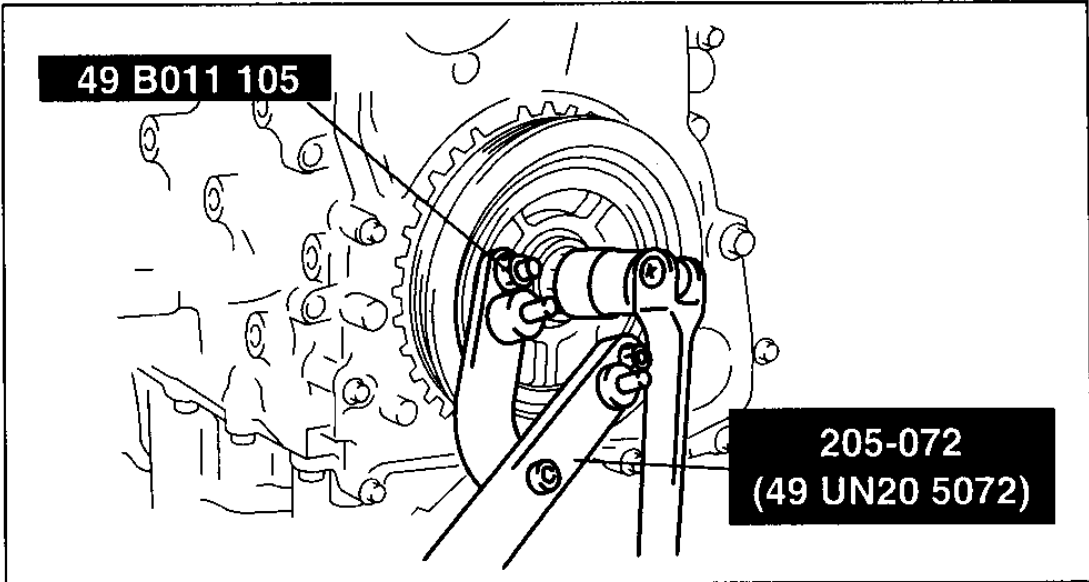
- |  |  |
|--|--|
| 1 Cylinder head cover<br>(See Cylinder Head Cover Installation Note.)            | 6 No.3 engine mount rubber and No.3 engine joint bracket<br>(See No.3 Engine Mount Rubber Removal Note.) |
| 2 Crankshaft pulley lock bolt<br>(See Crankshaft Pulley Lock Bolt Removal Note.) | 7 No.3 Engine Mount Rubber and No.3 Engine Mount Bracket Installation Note.)                             |
| 3 Crankshaft pulley  | 8 Engine front cover<br>(See Engine Front Cover Installation Note.)                                      |
| 4 Water pump pulley  | 9 Front oil seal<br>(See Front Oil Seal Installation Note.)  |
| 5 Drive belt auto tensioner  | 10 Chain tensioner<br>(See Chain Tensioner Removal Note.)  |

10	Tensioner arm
11	Chain guide
12	Timing chain (See Timing Chain Installation Note.)
13	Oil pump chain tensioner
14	Oil pump chain guide

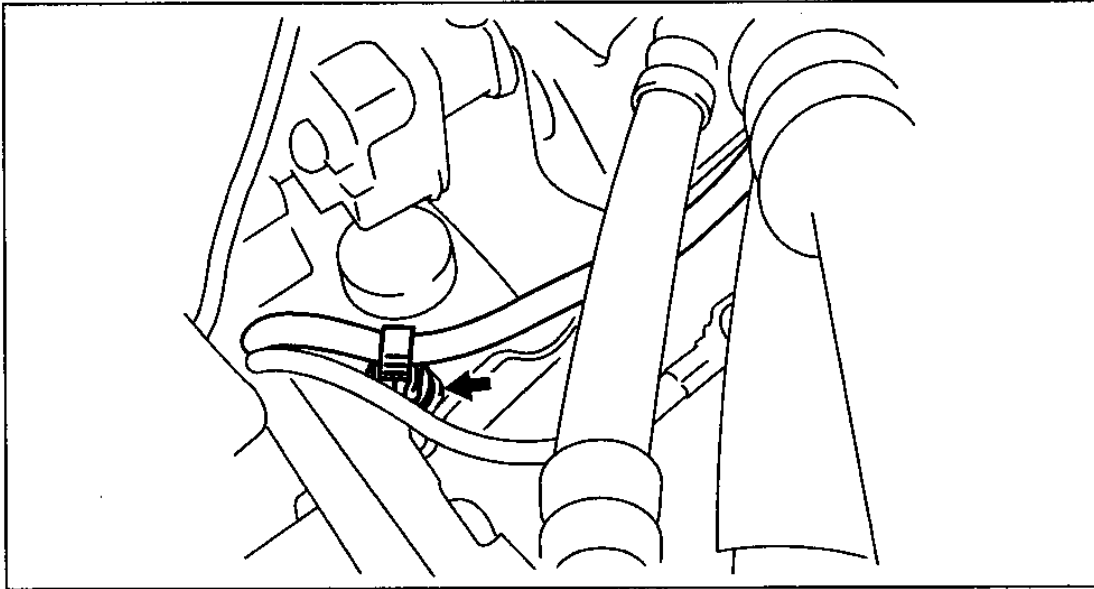
15	Oil pump sprocket (See Oil Pump Sprocket Removal Note.) (See Oil Pump Sprocket Installation Note.)
16	Oil pump chain
17	Crankshaft sprocket



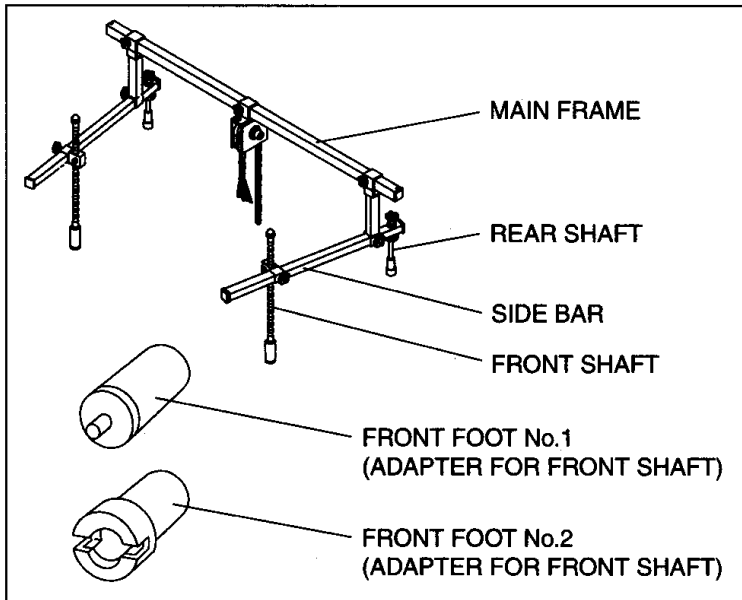
am3uuw0000105



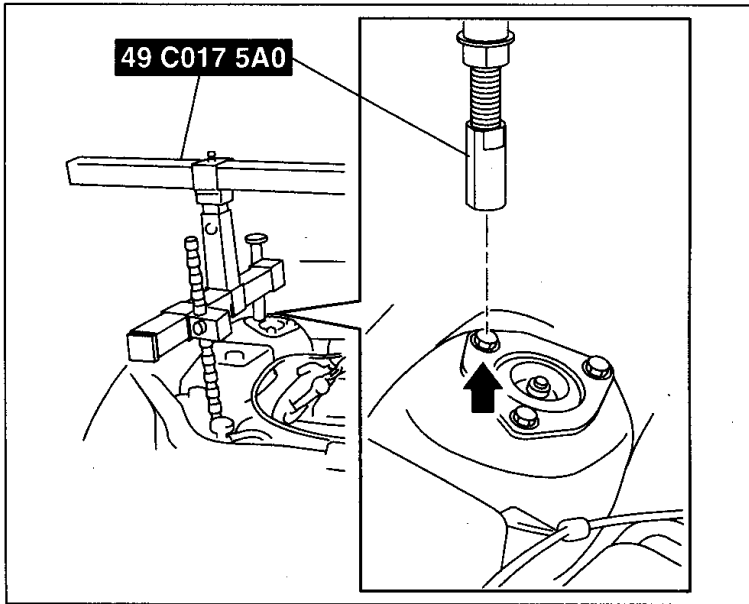
am3uuw0000105



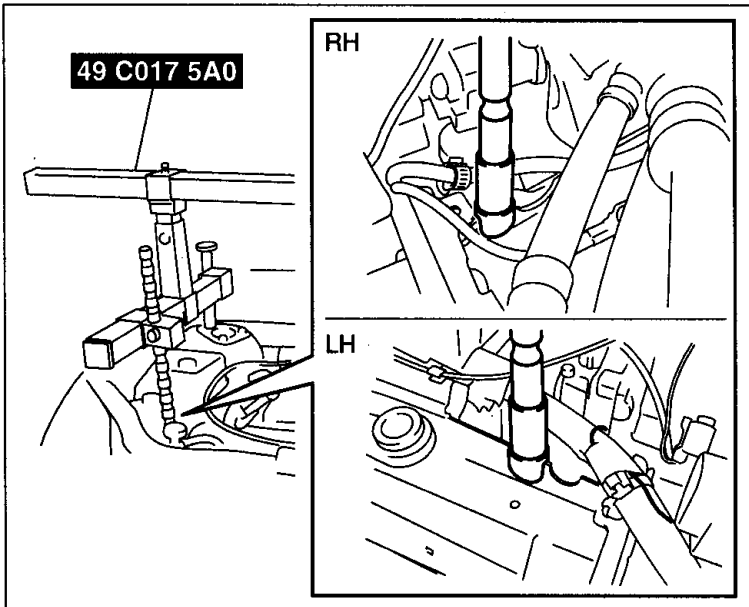
am3uuw0000105



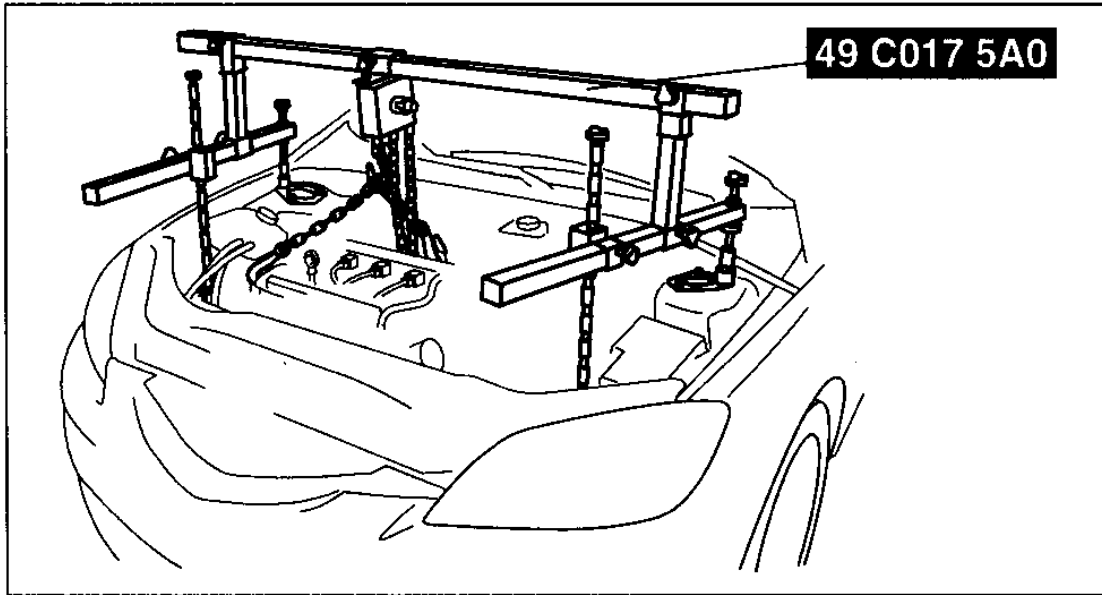
am3uuw0000105



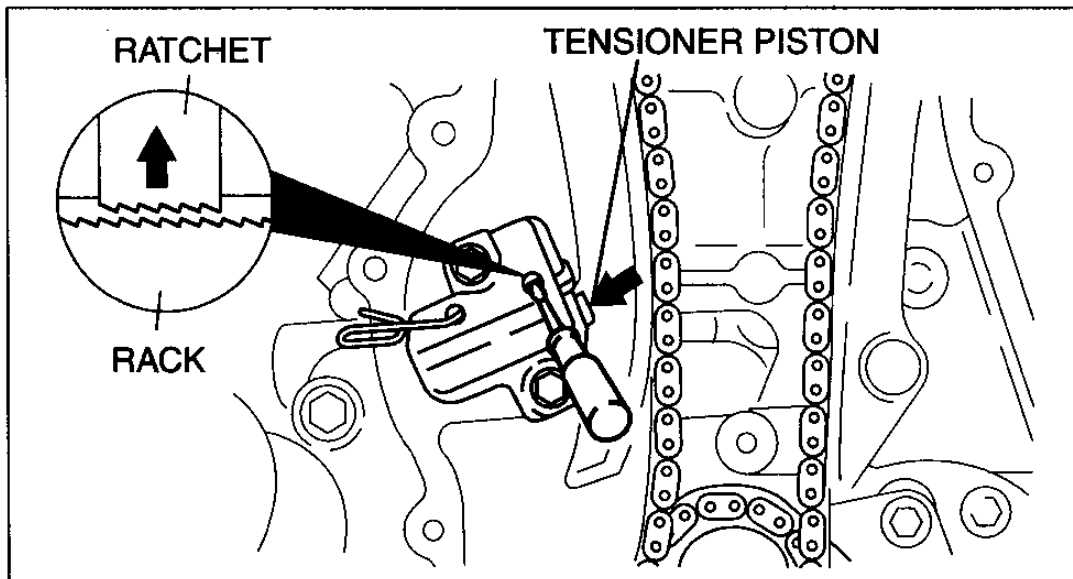
am3uuw0000105



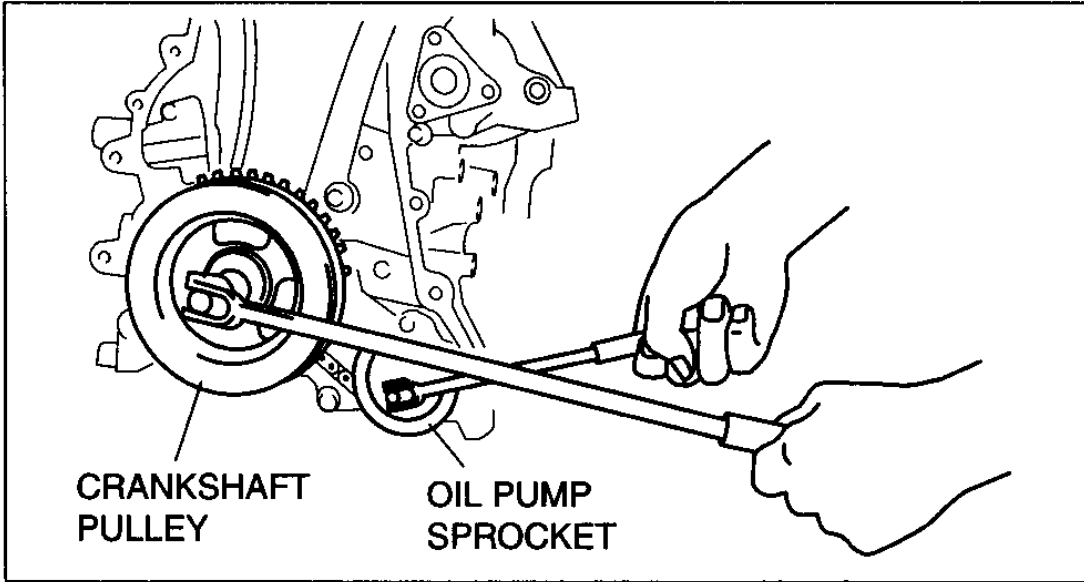
am3uuw0000105



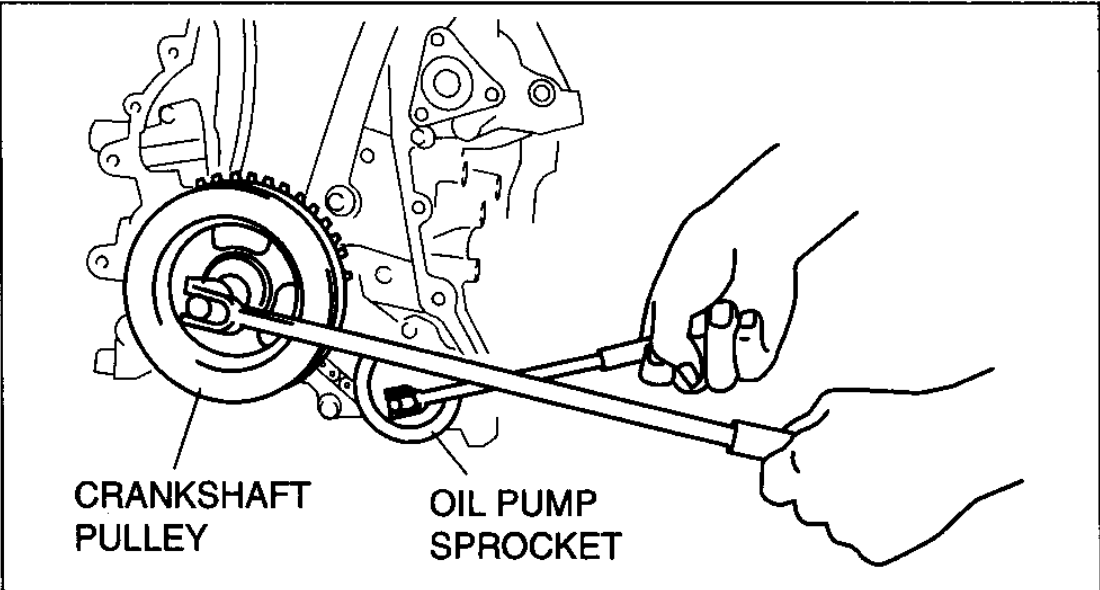
am3uuw0000106



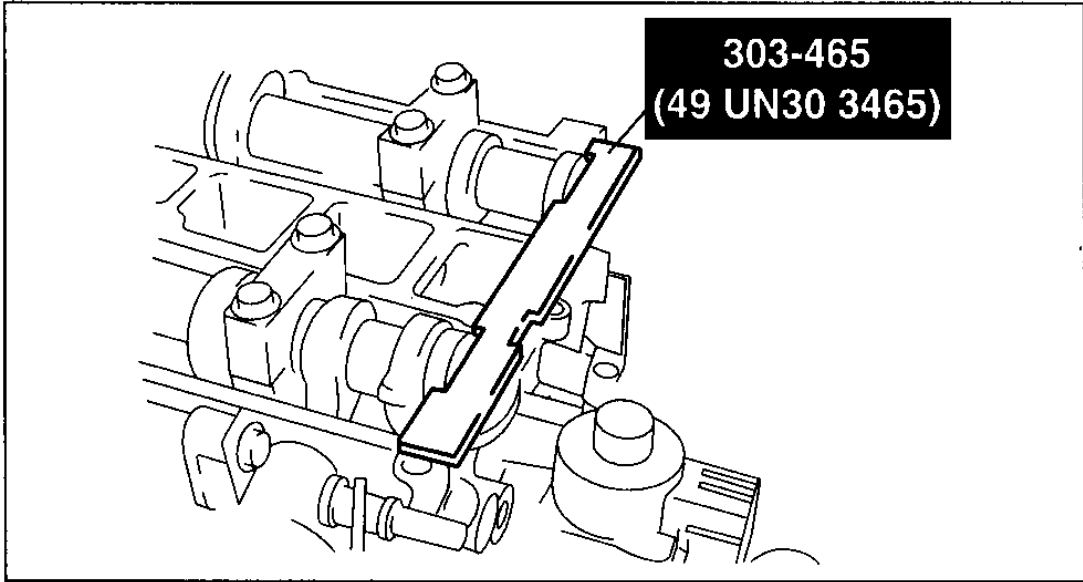
am3uuw0000106



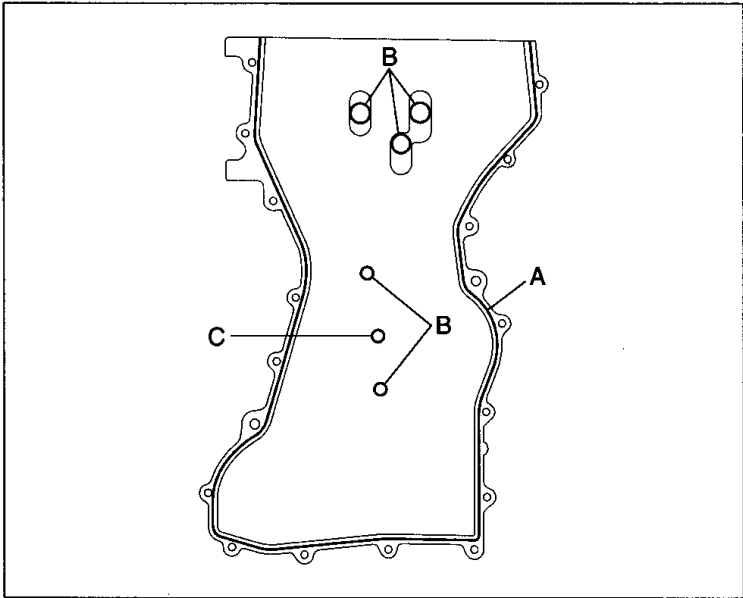
am3uuw0000115



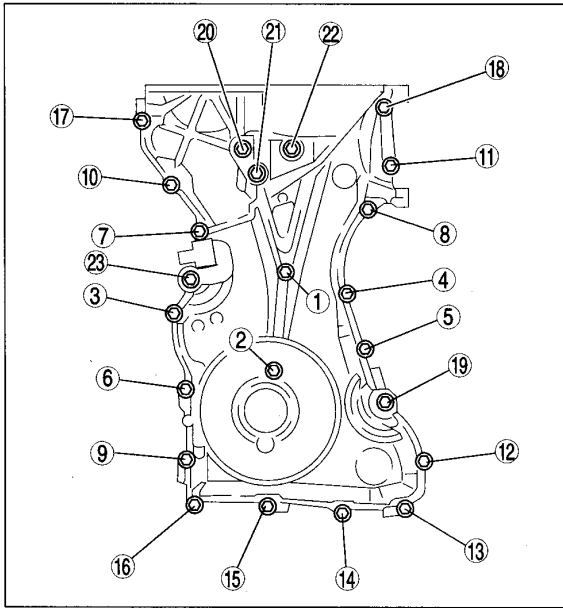
am3uuw0000115



am3uuw0000106

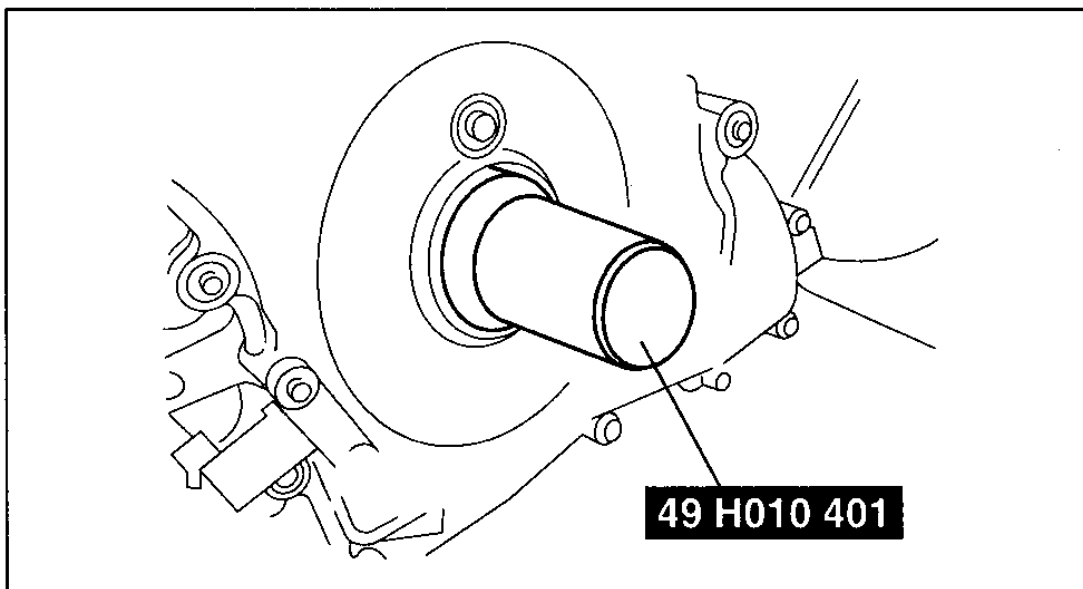


am3uuw0000106

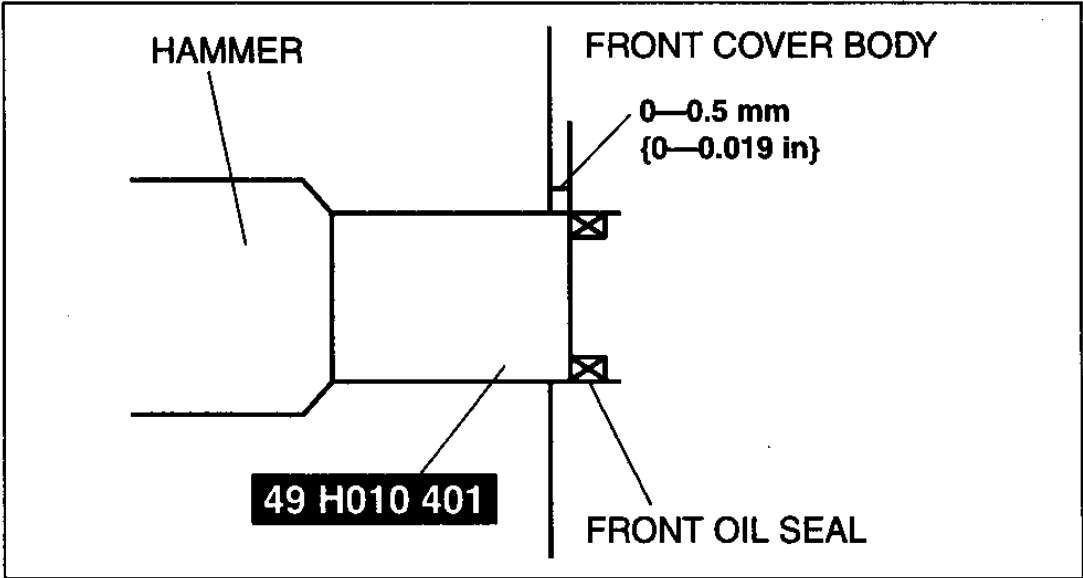


am3uuw0000106

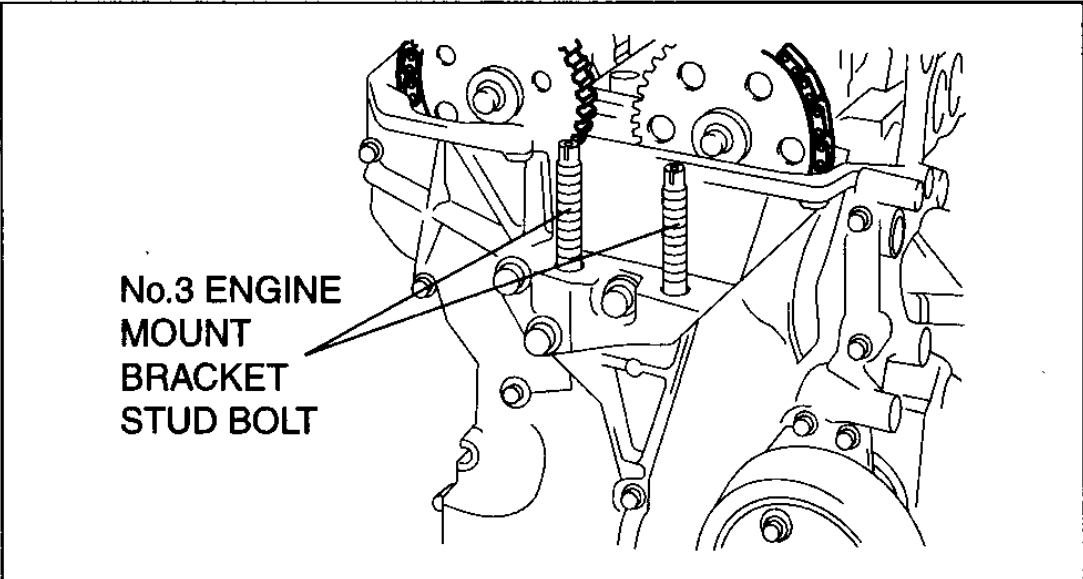
Bolt No.	Tightening torque
1—18	<b>8.0—11.5 N·m {81.6—117.2 kgf·cm, 70.9—101.7 in·lbf}</b>
19—22	<b>40—55 N·m {4.1—5.6 kgf·m, 29.7—40.5 ft·lbf}</b>
23	<b>20—30 N·m {2.1—3.0 kgf·m, 14.8—22.1 ft·lbf}</b>



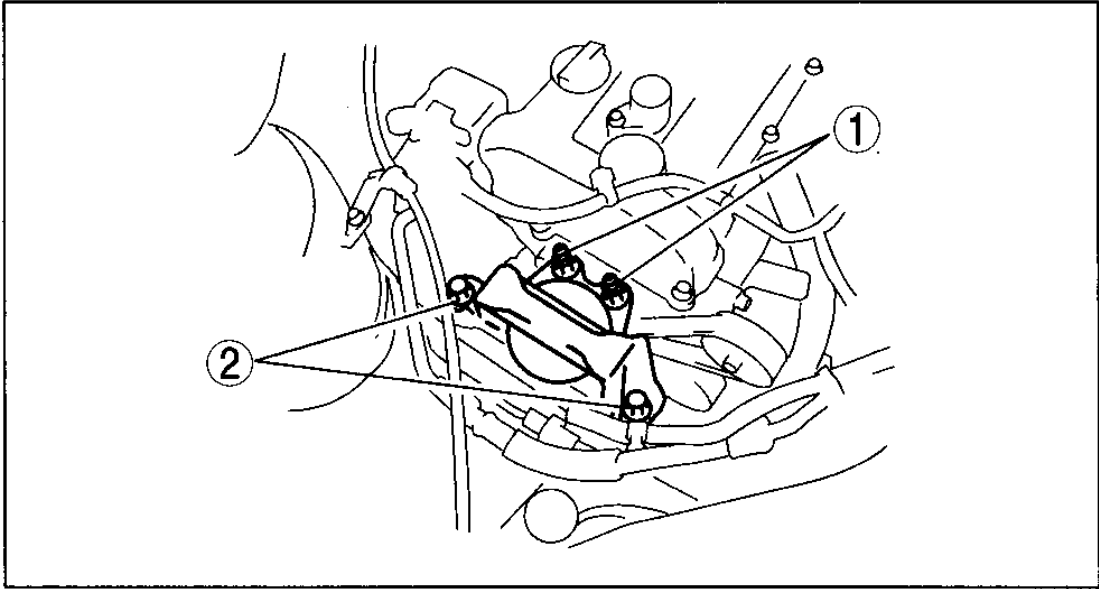
am3uuw0000106



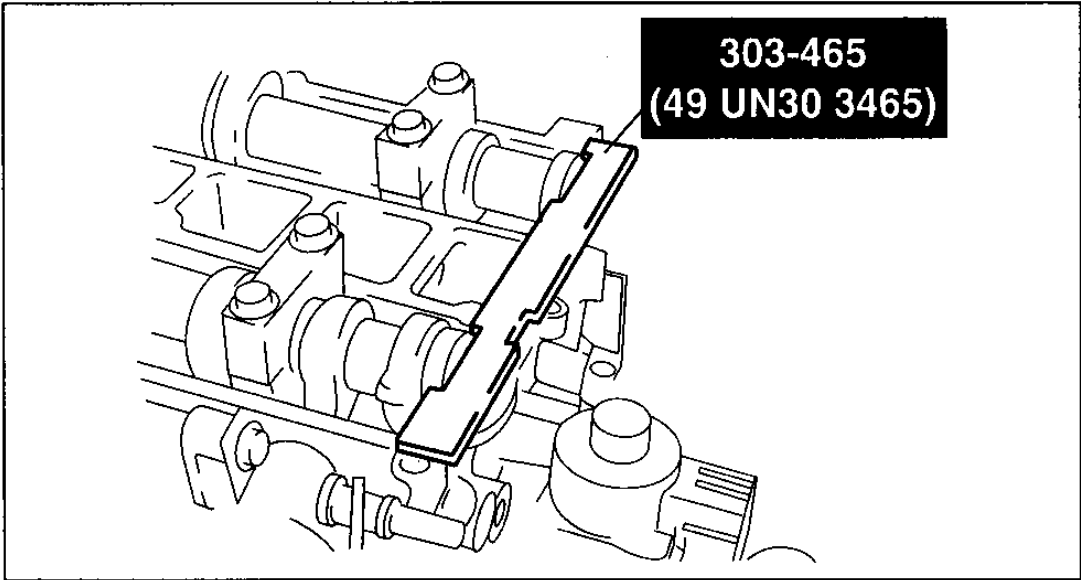
am3uuw0000106



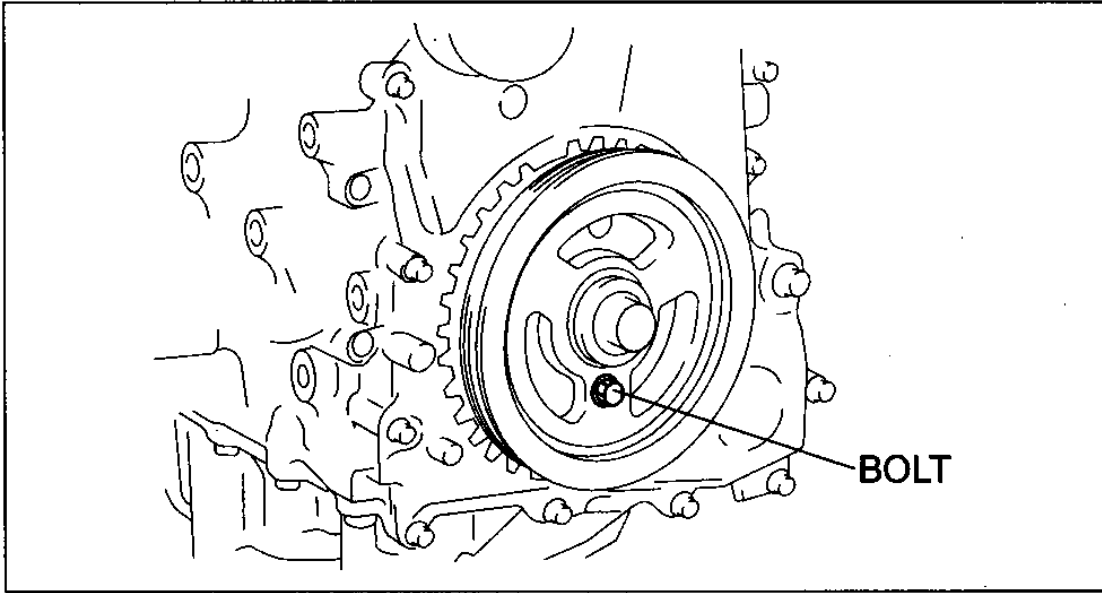
am3uuw0000106



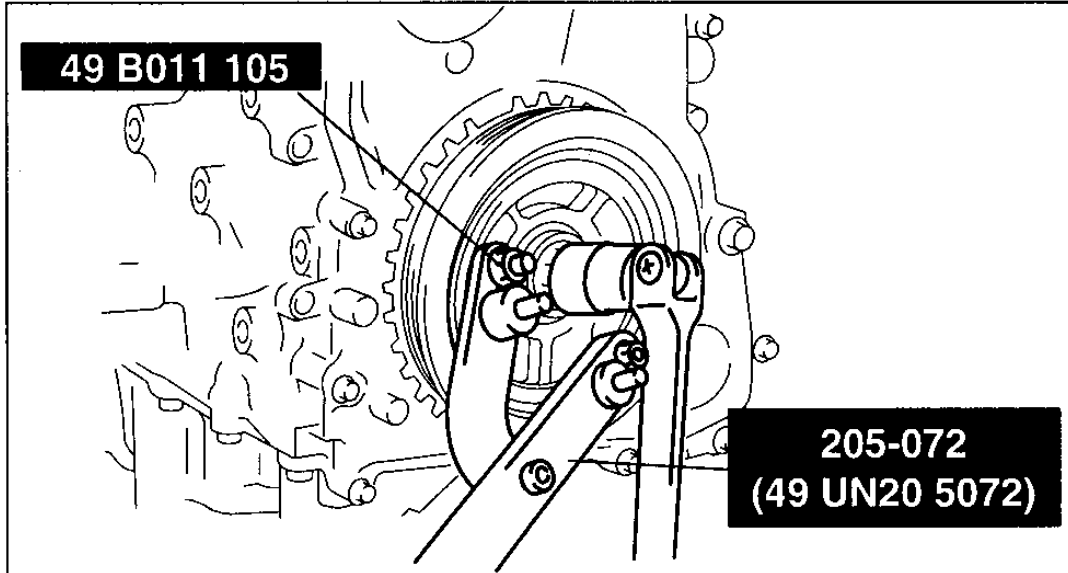
am3uuw0000130



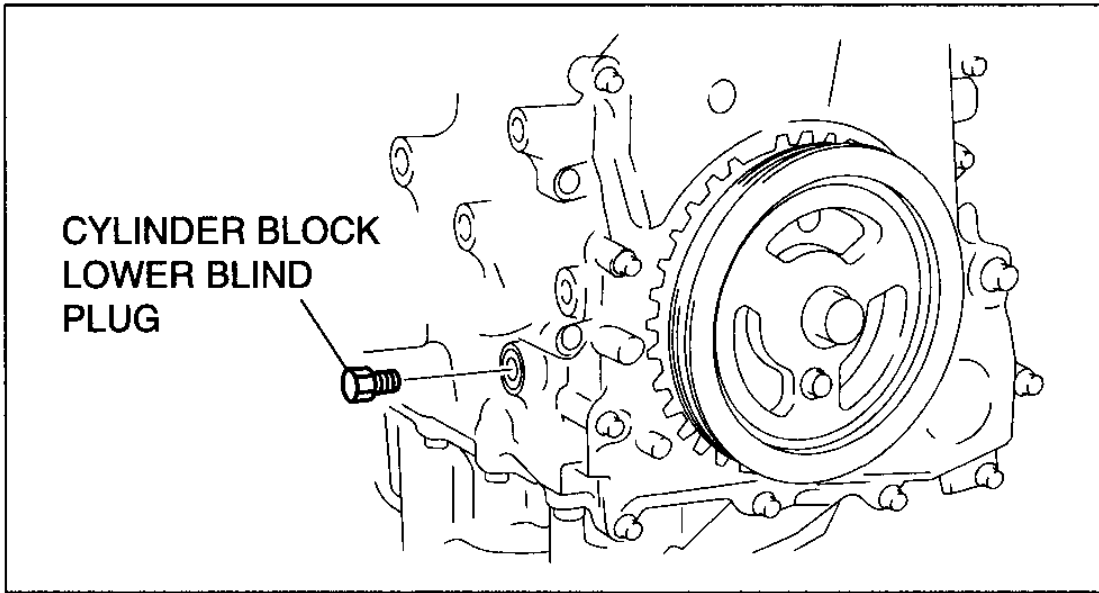
am3uuw0000106



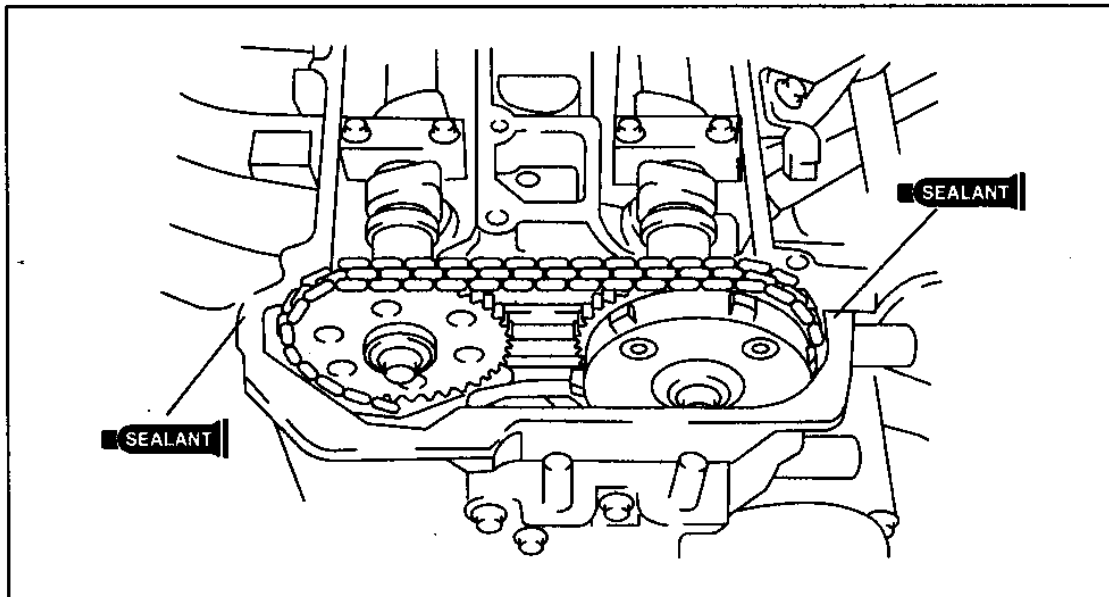
am3uuw0000107



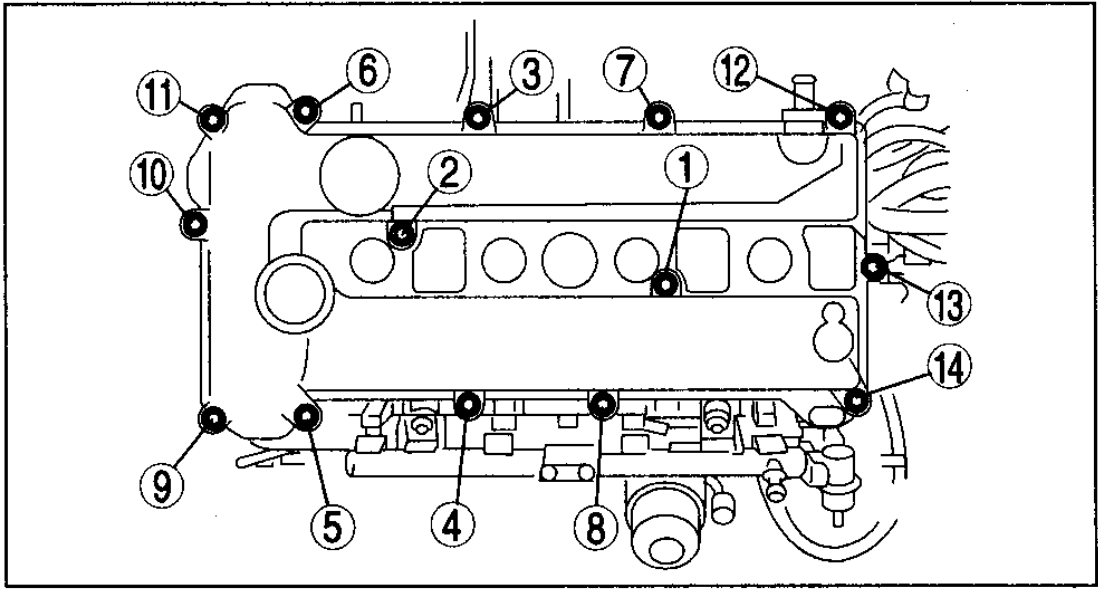
am3uuw0000105



am3uuw0000107



am3uuw0000107



am3uuw0000107