

# Component Procedures: Antilock Brakes / Traction Control Systems

## Table of Contents

1. Parts and Labor (itype\_189)
2. Antilock Brake System (Article 1419503)
3. System Schematic (Article 1419488)
4. Dynamic Stability Control (Article 1419504)
5. Anti-Lock Brakes - W/ Dynamic Stability Control (Article 15355)
6. Anti-Lock Brakes - W/O Dynamic Stability Control (Article 15244)
7. Dynamic Stability Control (Article 1419086)
8. Antilock Brake System (Article 1419088)
9. ABS HU/CM Removal/Installation (Article 1412044)
10. All Technical Service Bulletins (itype\_100)
11. Antilock Brake System (Article 1410838)
12. Antilock Brake System (Article 1410628)
13. Dynamic Stability Control (Article 1410606)
14. Antilock Brake System (Article 1409992)
15. ABS Configuration (Article 1361623)
16. DSC Configuration (Article 1361627)
17. Antilock Brake System (Article 1410503)
18. Dynamic Stability Control (Article 1410506)
19. Antilock Brake System (Article 1410207)
20. Dynamic Stability Control (Article 1410213)
21. Antilock Brake System (Article 1411454)
22. Dynamic Stability Control (Article 1411463)
23. Intermittent Concern Troubleshooting (Article 1411465)
24. Noise (itype\_156)

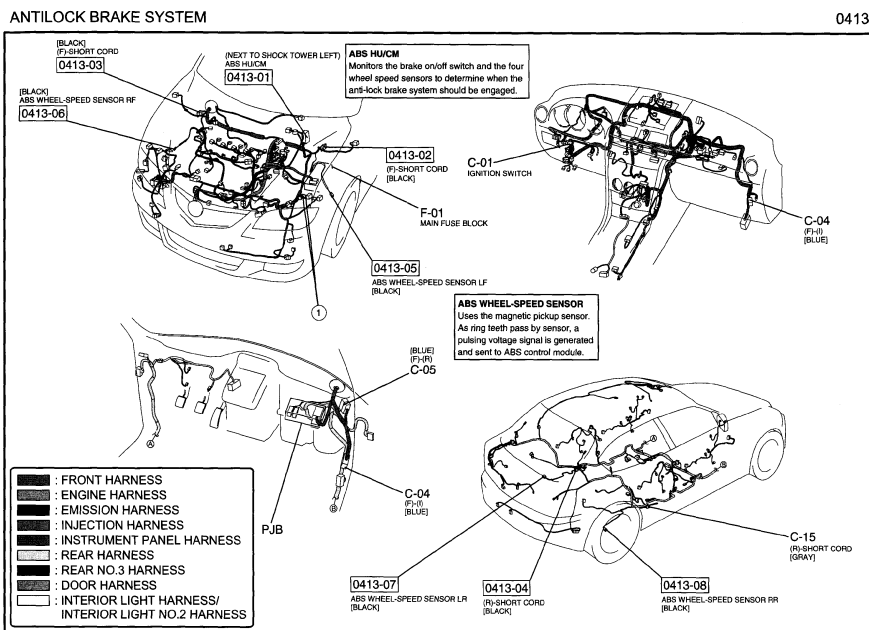
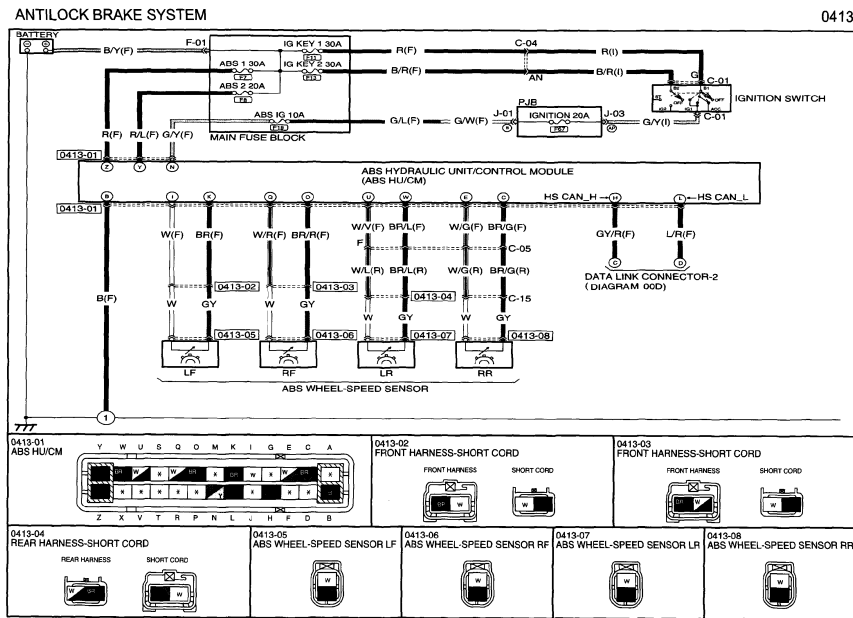
# Component Procedures: Antilock Brakes / Traction Control Systems

## Parts and Labor (itype\_189)

### Labor

Operation	Qualifier Path	Skill	Std Hrs	Wty Hrs
Diagnose/Test	ABS System, Test	B	1.0	0.0
Bleed	System, Bleed	B	0.7	0.4

## Antilock Brake System (Article 1419503)



## System Schematic (Article 1419488)

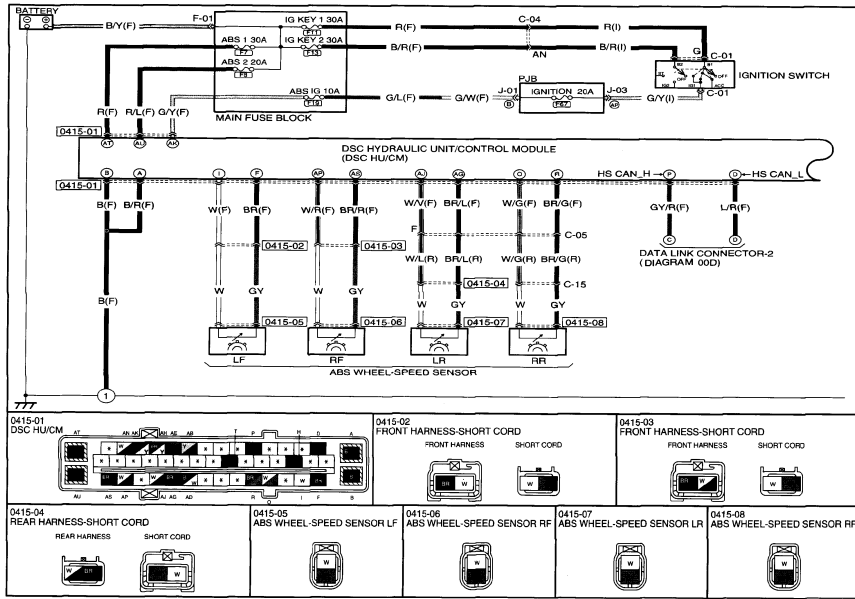
### Non Standards

- Antilock Brake System (1419575)
- Dynamic Stability Control (1419595)

# Dynamic Stability Control (Article 1419504)

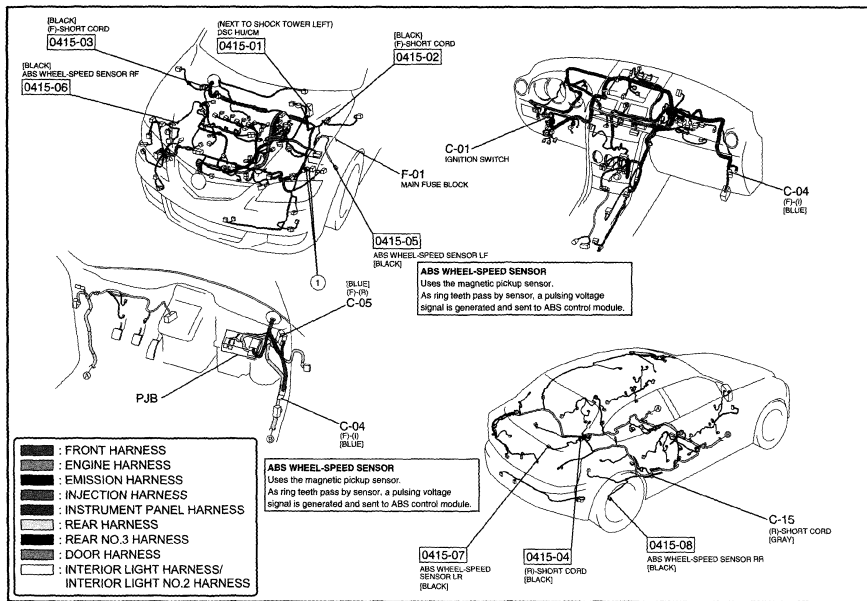
DYNAMIC STABILITY CONTROL

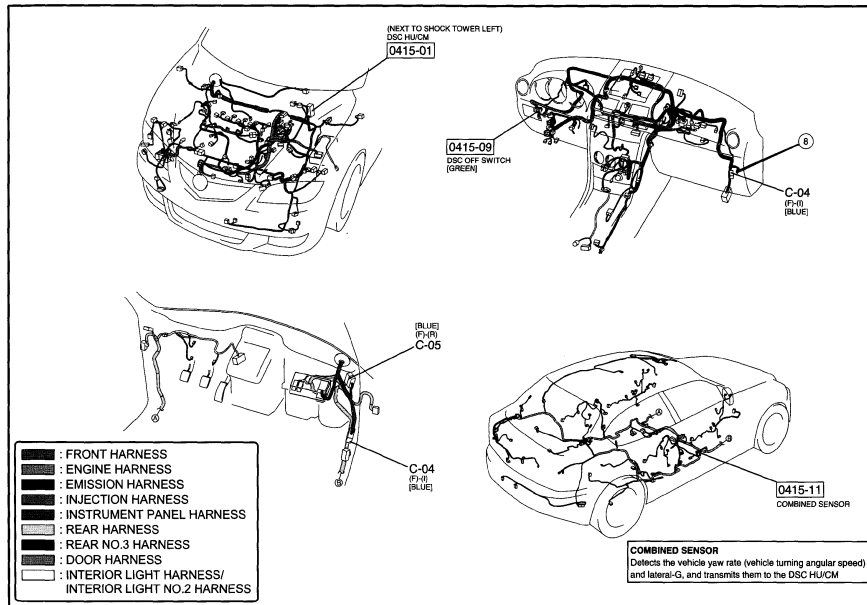
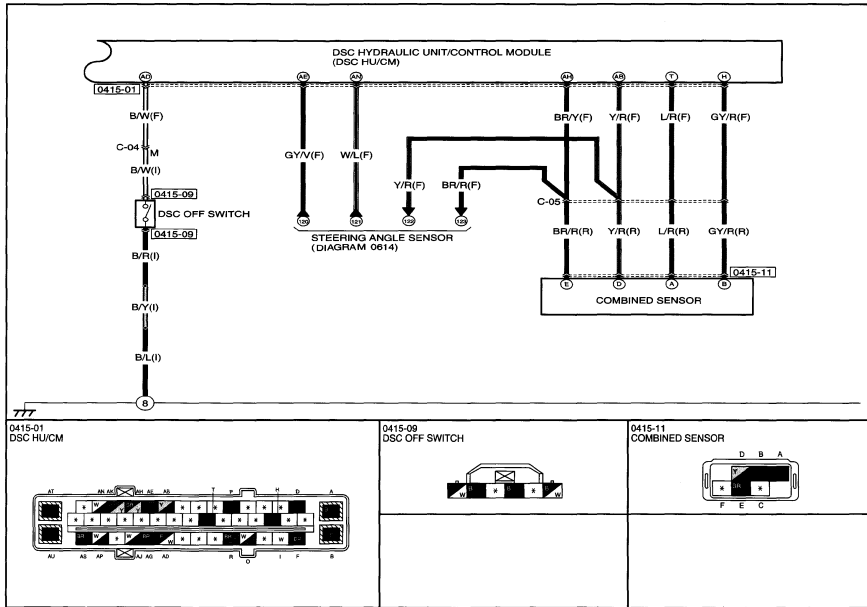
0415-a



DYNAMIC STABILITY CONTROL

0415-a





### Anti-Lock Brakes - W/ Dynamic Stability Control (Article 15355)

Anti-Lock Brakes - W/ Dynamic Stability Control

Page 1 of 1

### Anti-Lock Brakes - W/O Dynamic Stability Control (Article 15244)

Anti-Lock Brakes - W/O Dynamic Stability Control

Page 1 of 1

### Dynamic Stability Control (Article 1419086)

Non Standards

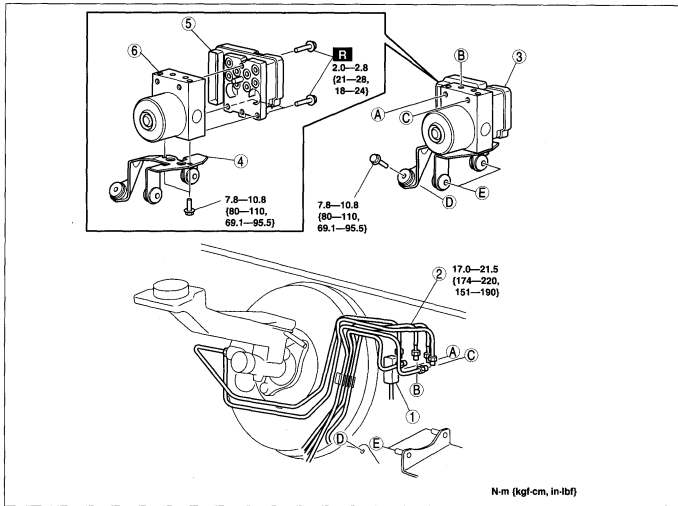
- DSC Location Index (1419095)

### Antilock Brake System (Article 1419088)

Non Standards

- ABS Location Index (1419089)

# ABS HU/CM Removal/Installation (Article 1412044)

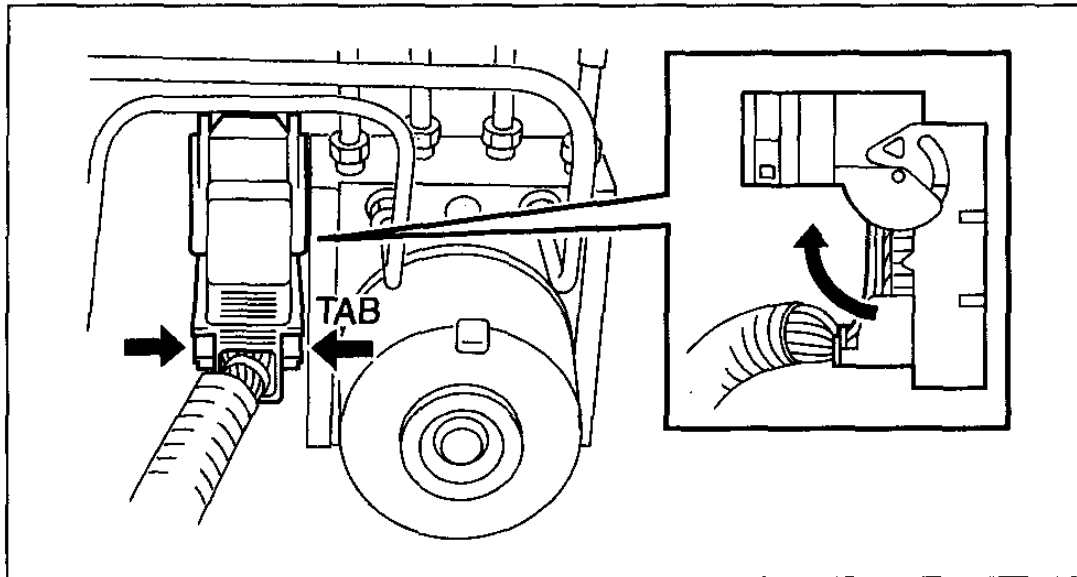


N·m (kgf·cm, in·lbf)

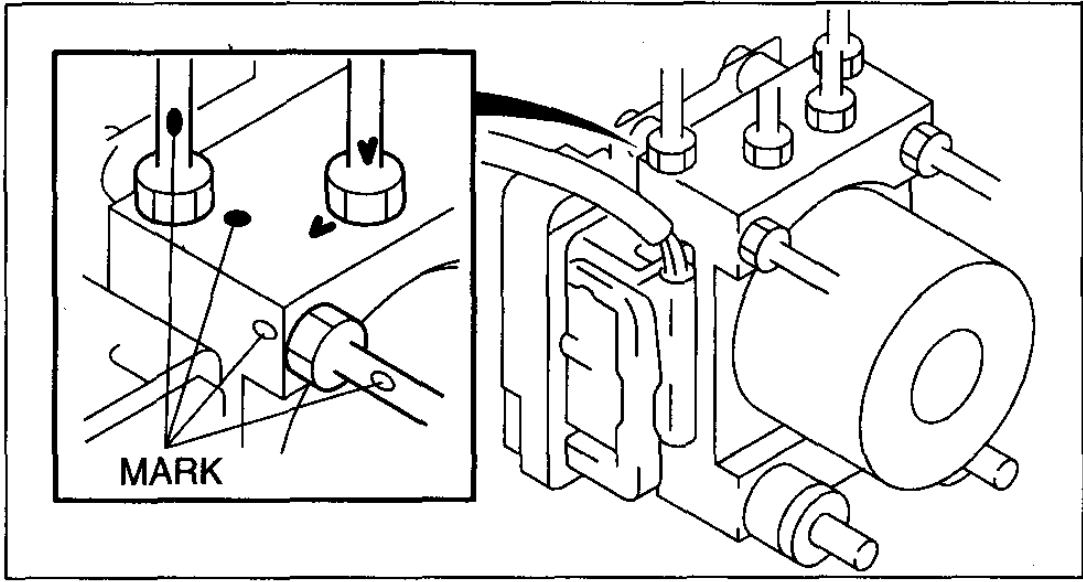
am3uuw0000133

1	Connector (See Connector Removal Note.) (See Connector Installation Note.)
2	Brake pipe (See Brake Pipe Removal Note.) (See Brake Pipe Installation Note.)

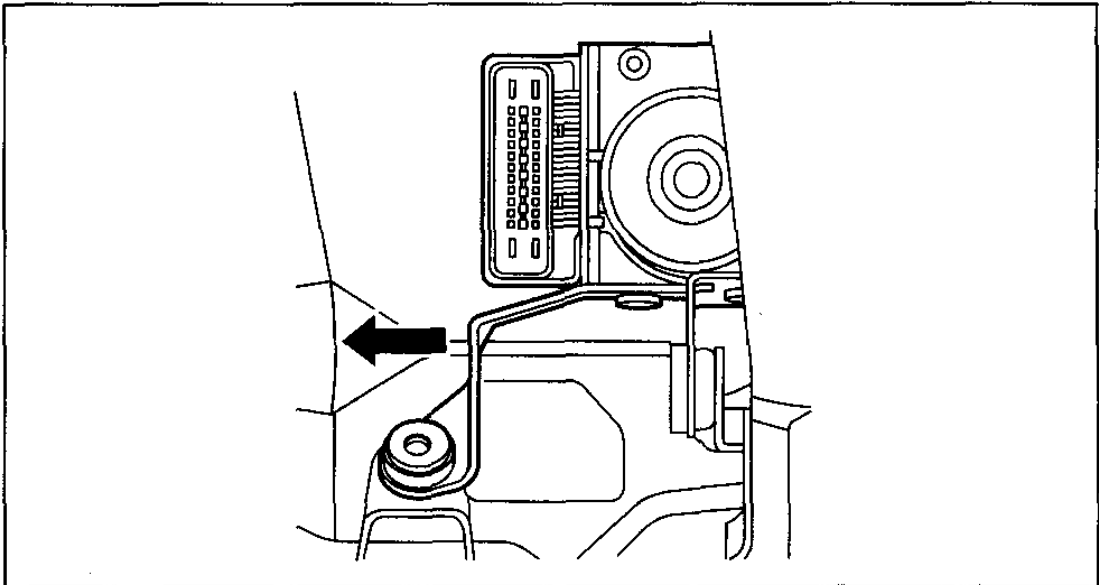
3	ABS HU/CM component, bracket (See ABS HU/CM Component, Bracket Removal Note.)
4	Bracket
5	ABS CM
6	ABS HU



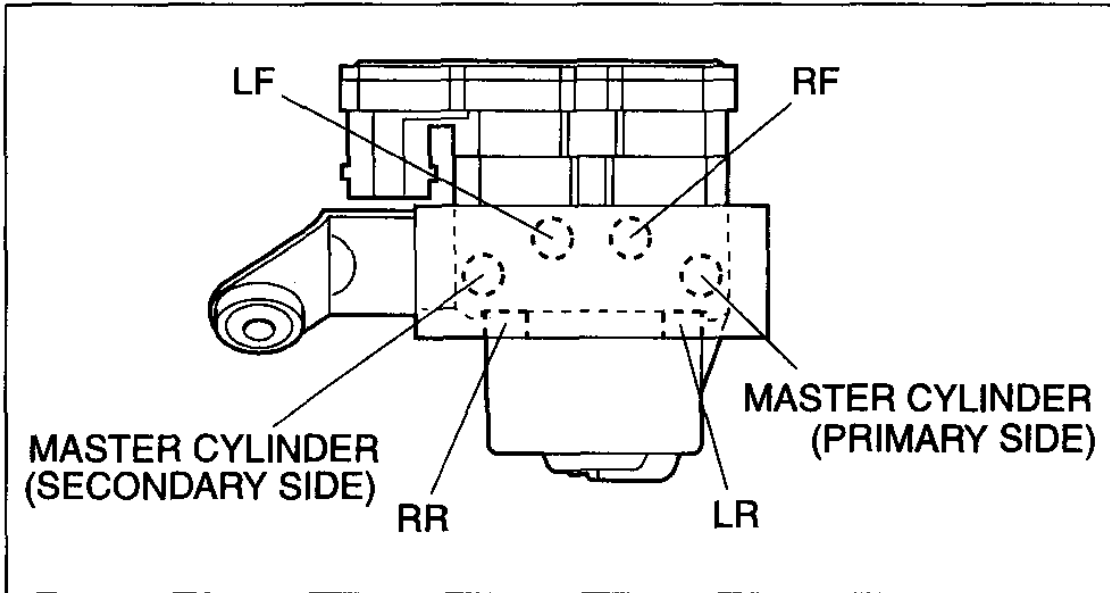
am3uuw0000039



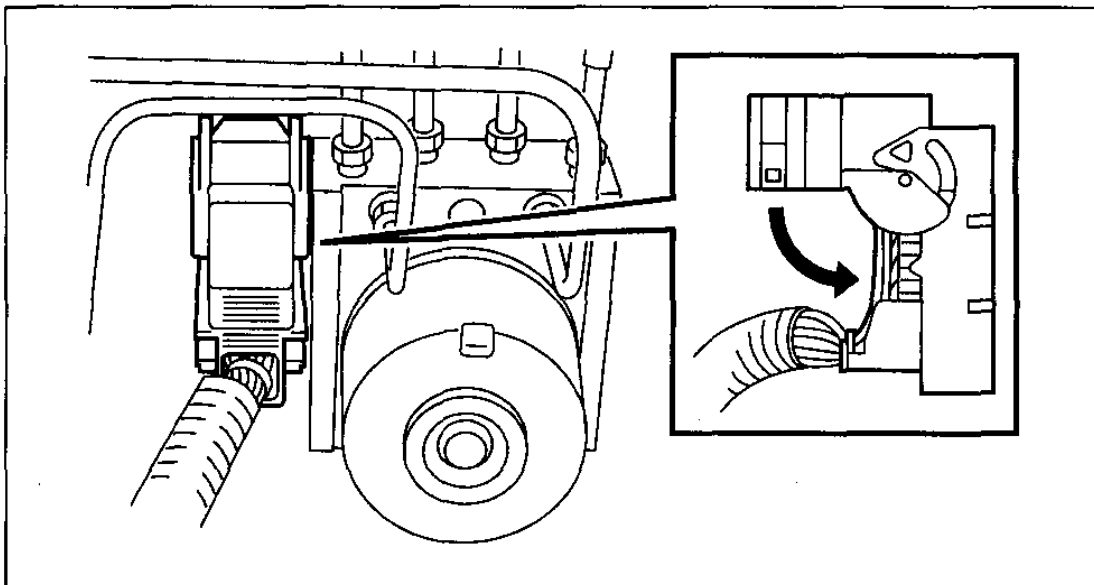
am3uuw0000039



am3uuw0000039



am3uuw0000039



am3uuw0000039

**All Technical Service Bulletins (itype\_100)**

Tsbs

- CLUNK / BANG / BUZZ NOISE DURING FIRST FORWARD MOVEMENT AFTER SITTING (04-001/19, 2019/01/03)

**Antilock Brake System (Article 1410838)**

Non Standards

- ABS HU/CM Inspection (1410839)

**Antilock Brake System (Article 1410628)**

Non Standards

- Foreword [ABS] (1410629)

**Dynamic Stability Control (Article 1410606)**

Non Standards

- Foreword [Dynamic Stability Control (DSC)] (1365586)

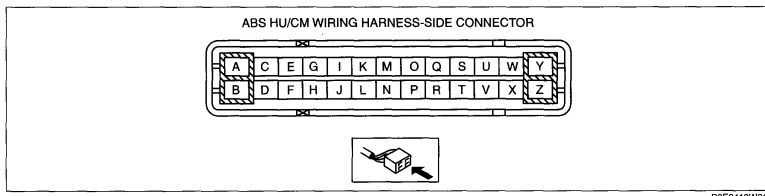
## Antilock Brake System (Article 140992)

Non Standards

- Control Module Pinout Values (140993)

## ABS Configuration (Article 1361623)

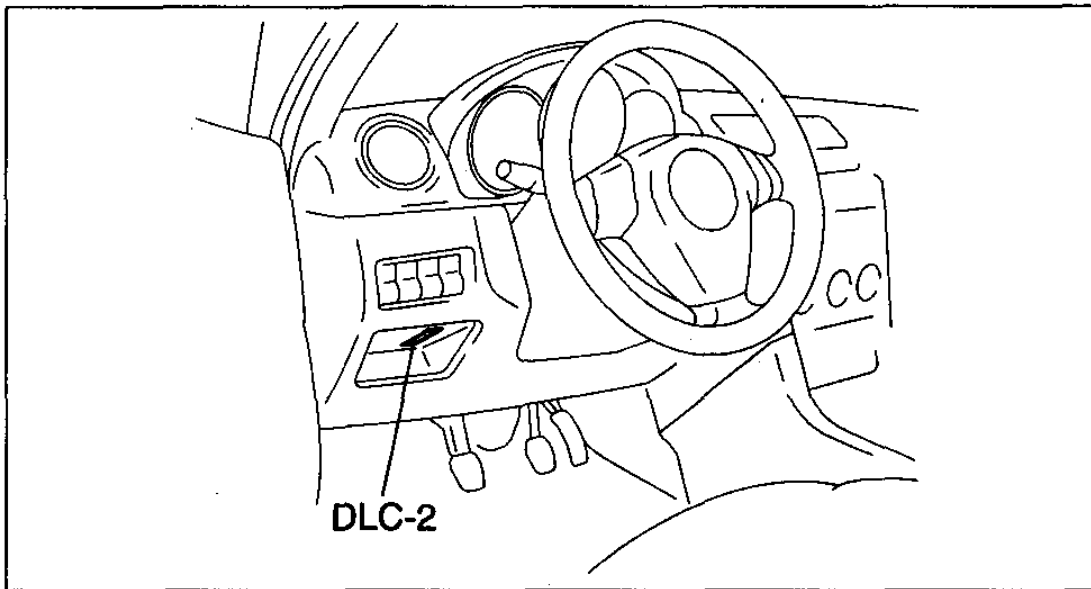
Terminal Voltage Table (Reference)



B3E0413W010

Terminal	Signal name	Connected to	Measured item	Measured terminal (measurement condition)	Standard	Inspection item(s)
A	—	—	—	—	—	—
B	Ground (ABS motor)	Ground point	Continuity	B—ground point	Continuity detected	• Wiring harness (B—ground point)
C	RR wheel-speed (ground)	RR ABS wheel-speed sensor	Continuity	C—RR ABS wheel-speed sensor terminal B	Continuity detected	• Wiring harness (C—RR ABS wheel-speed sensor terminal B)
D	—	—	—	—	—	—
E	RR wheel-speed (signal)	RR ABS wheel-speed sensor	Continuity	E—RR ABS wheel-speed sensor terminal A	Continuity detected	• Wiring harness (E—RR ABS wheel-speed sensor terminal A)
F	—	—	—	—	—	—
G	—	—	—	—	—	—
H	CAN_H	Data link connector-2 (CAN_H)	Continuity	H—DLC-2 terminal CAN_H	Continuity detected	• Wiring harness (H—DLC-2 terminal CAN_H)
I	LF wheel-speed (signal)	LF ABS wheel-speed sensor	Continuity	I—LF ABS wheel-speed sensor terminal A	Continuity detected	• Wiring harness (I—LF ABS wheel-speed sensor terminal A)
J	—	—	—	—	—	—

## DSC Configuration (Article 1361627)



am3zzw0000162

## Antilock Brake System (Article 1410503)

Non Standards

- Reading DTCs Procedure (1410504)  
 - Clearing DTCs Procedures (1410505)

## Dynamic Stability Control (Article 1410506)

Non Standards

- Reading DTCs Procedure (1410507)  
 - Clearing DTCs Procedures (1410508)

## **Antilock Brake System (Article 1410207)**

### Non Standards

- On Board Diagnosis [ABS] (1409974)
- PID/Data Monitor and Record Procedure (1410208)
- Active Command Modes Procedure (1410209)
- PID/Data Monitor Table (1410210)
- Active Command Modes Table (1410211)
- ABS System Inspection (1410212)

## **Dynamic Stability Control (Article 1410213)**

### Non Standards

- On-Board Diagnosis [Dynamic Stability Control (DSC)] (1365502)
- PID/Data Monitor and Record Procedure (1410214)
- Active Command Modes Procedure (1410215)
- PID/Data Monitor Table (1410216)
- Active Command Modes Table (1410218)
- DSC System Inspection (1410217)

## **Antilock Brake System (Article 1411454)**

### Non Standards

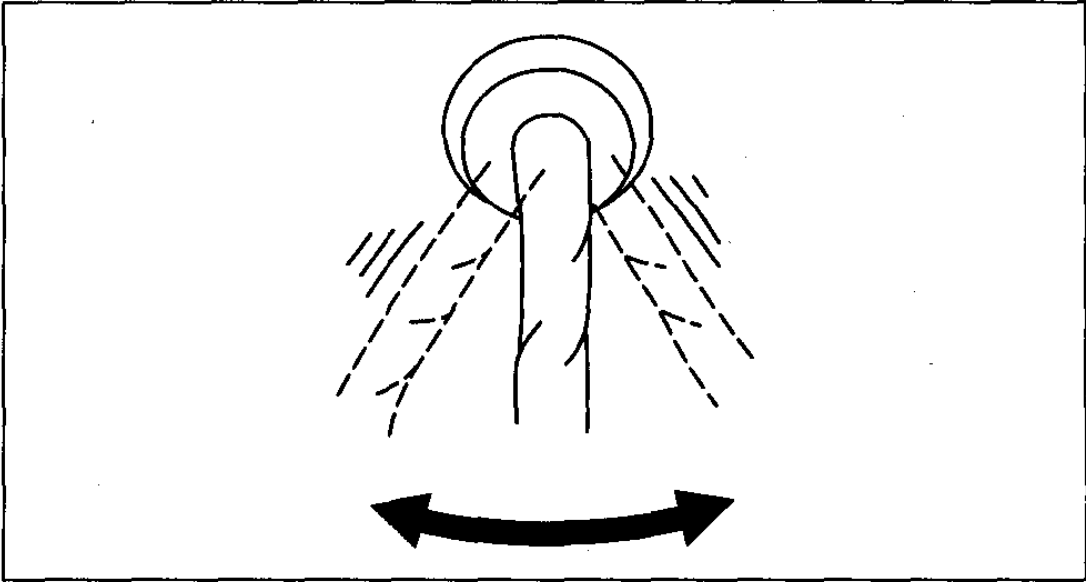
- Symptom Troubleshooting [ABS] (1411455)
- No.1 Neither ABS nor Brake System Warning Lights Illuminate When the Ignition Switch Is Turned to the on Position [ABS] (1411456)
- No.2 ABS Warning Light Does Not Illuminate When the Ignition Switch Is Turned to the on Position [ABS] (1411457)
- No.3 Brake System Warning Light Does Not Illuminate When the Ignition Switch Is Turned to the on Position [ABS] (1411458)
- No.4 Both ABS and Brake System Warning Lights Stay on 4 S or More When the Ignition Switch Is Turned to the on Position [ABS] (1411459)
- No.5 ABS Warning Light Stays on 4 S or More When the Ignition Switch Is Turned to the on Position [ABS] (1411460)
- No.6 Brake System Warning Light Stays on 4 S or More When the Ignition Switch Is Turned to the on Position [ABS] (1411461)
- No.7 There Is Malfunction In the System Even Though ABS Warning Light, Brake System Warning Light, Do Not Illuminate [ABS] (1411462)

## **Dynamic Stability Control (Article 1411463)**

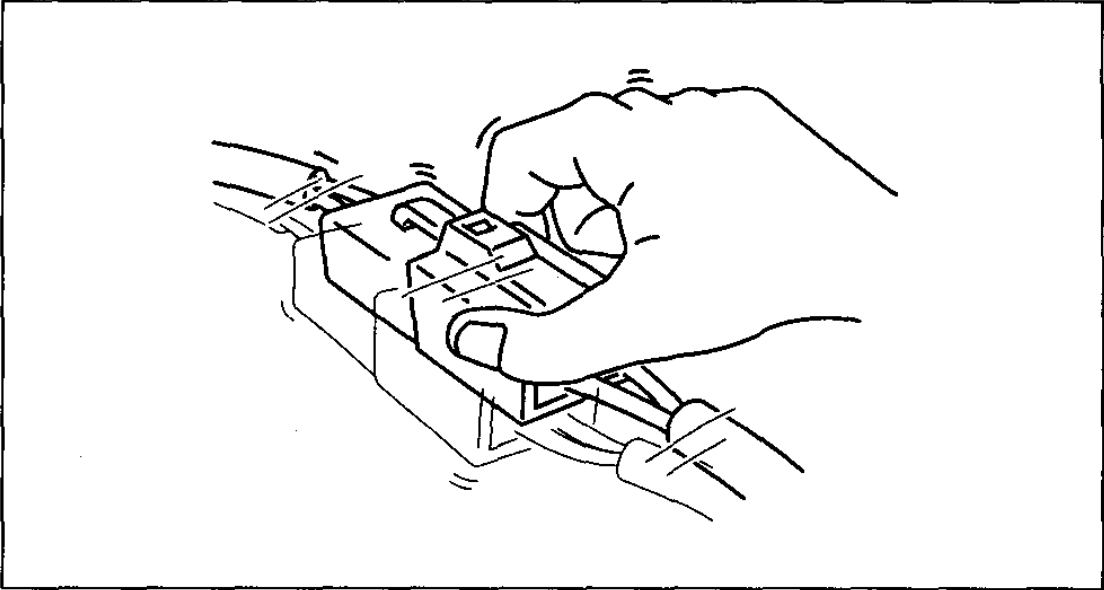
### Non Standards

- Symptom Troubleshooting [Dynamic Stability Control (DSC)] (1411464)
- No.1 Any of the Following Lights Do Not Illuminate When the Ignition Switch Is Turned to the on Position: (ABS Warning Light, B (1410630)
- No.2 Any, of the Following Lights Remain on: (ABS Warning Light, Brake System Warning Light, DSC Indicator Light and/or DSC Off (1410631)
- No.3 There Is A Malfunction In the System Even Though ABS Warning Light, Brake System Warning Light, DSC Indicator Light and DS (1410632)
- No.4 ABS or TCS\* Operates Frequently/TCS Does Not Work Correctly \*: DSC System Function Contains Traction Control Function, DS (1410633)
- No.5 DSC\*2 Operates Frequently/DSC Does Not Work Correctly \*2: DSC Indicator Light Goes on and Out While DSC Operates [Dynamic (1410634)

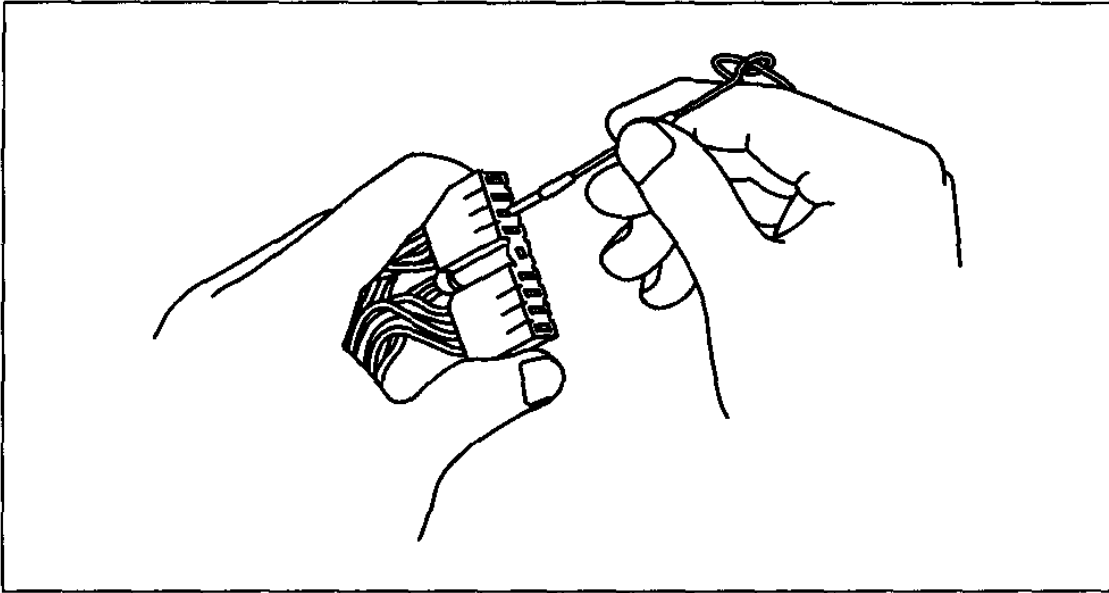
## **Intermittent Concern Troubleshooting (Article 1411465)**



am3zzw0000169



am3zzw0000169



am3zzw0000170

**Noise (itype\_156)**

Tsbs

- CLUNK / BANG / BUZZ NOISE DURING FIRST FORWARD MOVEMENT AFTER SITTING (04-001/19, 2019/01/03)