

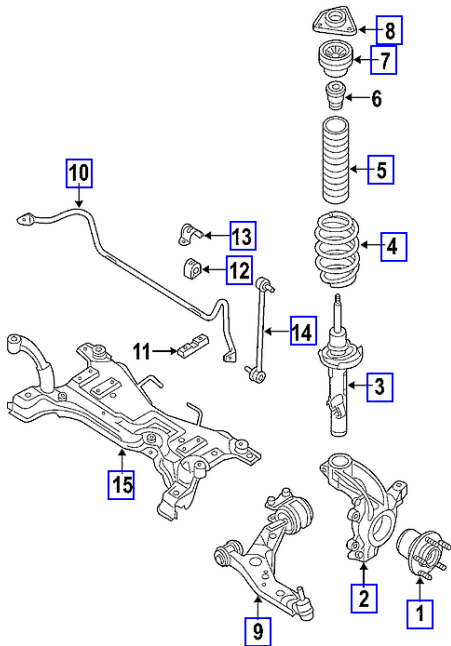
Component Procedures: Suspension

Table of Contents

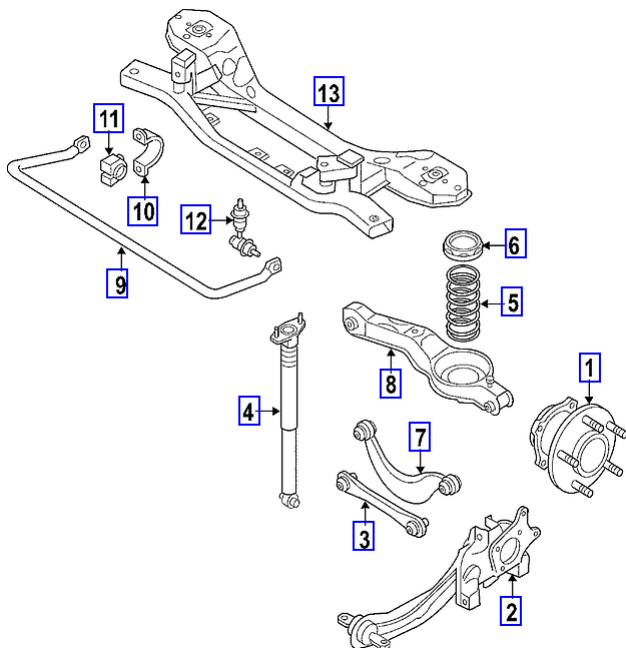
1. Front Suspension (Article 810442)
2. Rear Suspension (Article 810443)
3. Parts and Labor (itype_189)
4. Front Suspension (Article 1448848)
5. Rear Suspension (Article 1448850)
6. Suspension Links Removal/Installation (Article 1447987)
7. Front Suspension (Article 1448212)
8. Rear Suspension (Article 1448215)
9. All Technical Service Bulletins (itype_100)
10. Customer Interest Bulletins (itype_109)
11. Suspension SST (Article 1450039)
12. Noise (itype_156)
13. New / Updated Parts (itype_117)
14. Warranty Information (itype_119)

Component Procedures: Suspension

Front Suspension (Article 810442)



Rear Suspension (Article 810443)



Parts and Labor (itype_189)

Labor

| Operation | Qualifier Path | Skill | Std Hrs | Wty Hrs |
|------------------|-------------------------------|-------|---------|---------|
| Overhaul/Rebuild | Front Suspension > One Side | A | 3.5 | 0.0 |
| Overhaul/Rebuild | Front Suspension > Both Sides | A | 6.8 | 0.0 |
| Overhaul/Rebuild | Rear Suspension > One Side | B | 3.5 | 0.0 |
| Overhaul/Rebuild | Rear Suspension > Both Sides | B | 6.8 | 0.0 |
| Lubricate | Chassis, Lubricate | | 0.9 | 0.0 |

Front Suspension (Article 1448848)

Non Standards

- Front Suspension Location Index (1448849)

Rear Suspension (Article 1448850)

Non Standards

- Rear Suspension Location Index (1448851)

Suspension Links Removal/Installation (Article 1447987)

Suspension Link

s Removal/Installation

1. For the joint sections with rubber bushings, raise the vehicle using a lift, and then temporarily tighten the installation bolts and nuts. Lower the vehicle to the ground and tighten them completely with the specified torque.

Front Suspension (Article 1448212)

Non Standards

- Front Wheel Alignment [LF and L3] (Unloaded)*1 (1448213)
- Front Wheel Alignment [L3 With TC] (Unloaded)*1 (1448214)

Rear Suspension (Article 1448215)

Non Standards

- Rear Wheel Alignment [LF and L3] (Unloaded)*1 (1448216)
- Rear Wheel Alignment [L3 With TC] (Unloaded)*1 (1448217)

All Technical Service Bulletins (itype_100)

Tsbs

- Drivetrain - Drive Axle Clunking Noises (0300210, 2010/07/07)
- Suspension - Rear End Rattling Noise On Rough Roads (0200809, 2009/08/19)
- Suspension - Rear Trailing Link Bushing Availability (0200909, 2009/08/26)

Customer Interest Bulletins (itype_109)

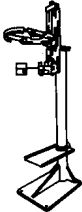
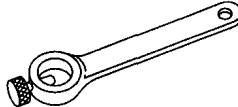
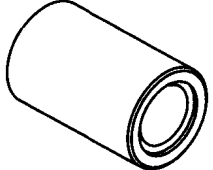
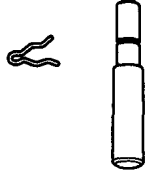
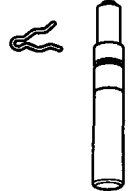
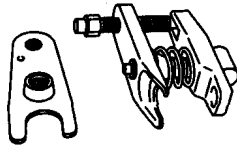
Tsbs

- Drivetrain - Drive Axle Clunking Noises (0300210, 2010/07/07)
- Suspension - Rear End Rattling Noise On Rough Roads (0200809, 2009/08/19)

Suspension SST (Article 1450039)

SUSPENSION SST

id026000800100

| | | |
|--|--|---|
| <p>49 T034 1A0</p> <p>Coil spring compressor set</p>  | <p>49 0180 510B</p> <p>Preload measuring attachment</p>  | <p>49 8038 785A</p> <p>Dust boot installer</p>  |
| <p>49 B034 001</p> <p>Guide</p>  | <p>49 B034 002</p> <p>Guide</p>  | <p>49 T028 3A0</p> <p>Ball joint puller set</p>  |

Noise (itype_156)

Tsbs

- Drivetrain - Drive Axle Clunking Noises (0300210, 2010/07/07)
- Suspension - Rear End Rattling Noise On Rough Roads (0200809, 2009/08/19)

New / Updated Parts (itype_117)

Tsbs

- Suspension - Rear Trailing Link Bushing Availability (0200909, 2009/08/26)

Warranty Information (itype_119)

Tsbs

- Drivetrain - Drive Axle Clunking Noises (0300210, 2010/07/07)