

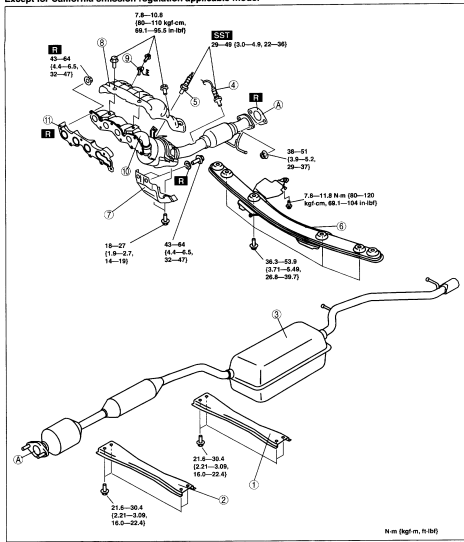
# **Component Procedures: Exhaust System**

## **Table of Contents**

1. Parts and Labor (itype\_189)
2. Exhaust System Removal/Installation (Article 1359109)
3. All Technical Service Bulletins (itype\_100)
4. Exhaust System Inspection (Article 1443976)
5. Odors (itype\_157)



Except for California emission regulation applicable model

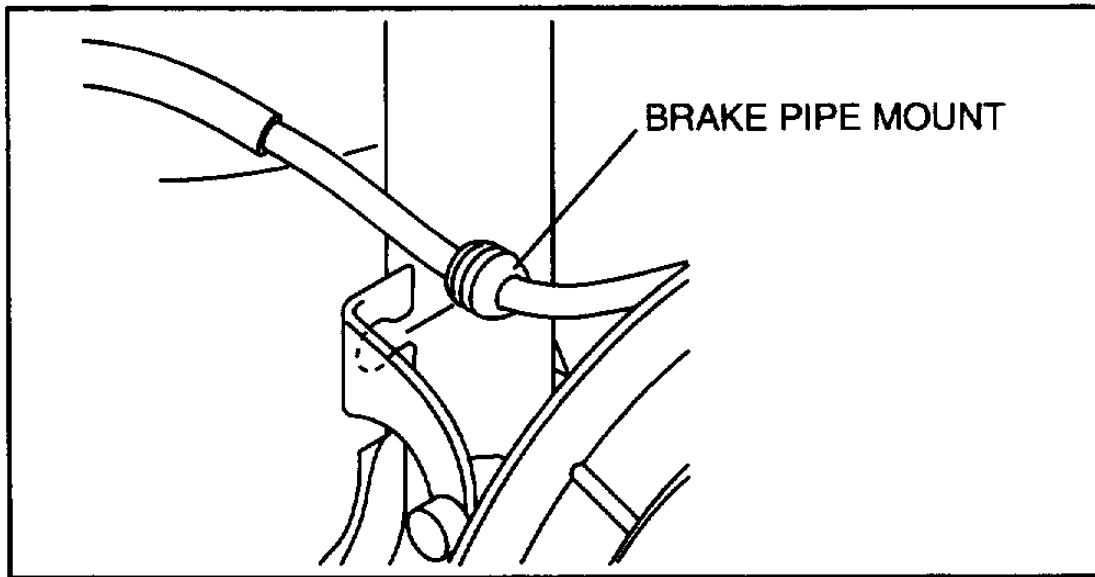


|   |                     |
|---|---------------------|
| 1 | Rear tunnel member  |
| 2 | Front tunnel member |

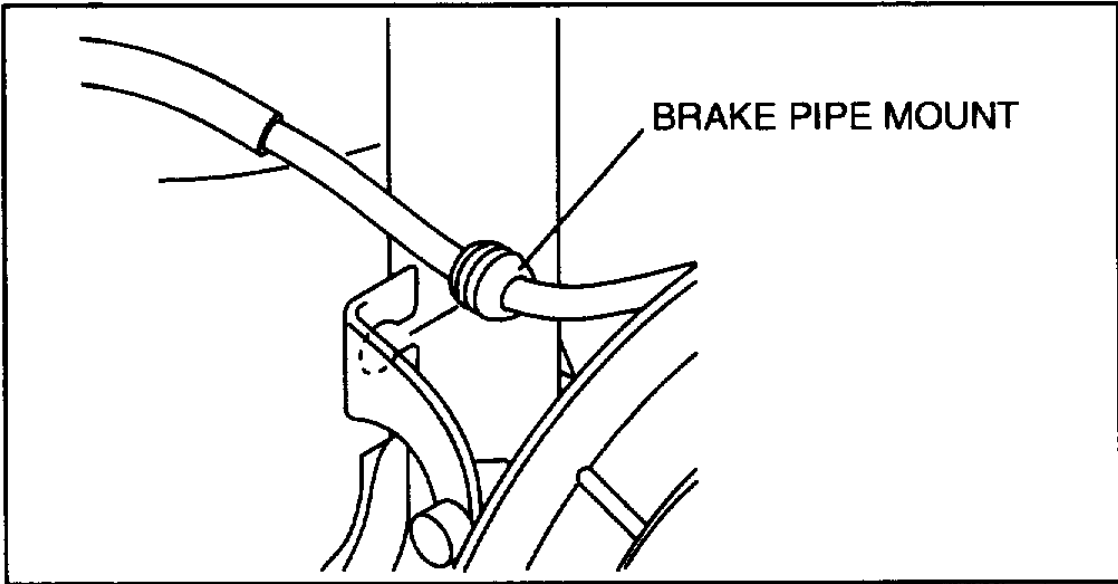
|   |               |
|---|---------------|
| 3 | Main silencer |
|---|---------------|

|   |            |
|---|------------|
| 4 | Rear HO2S  |
| 5 | Front HO2S |
| 6 | Member     |

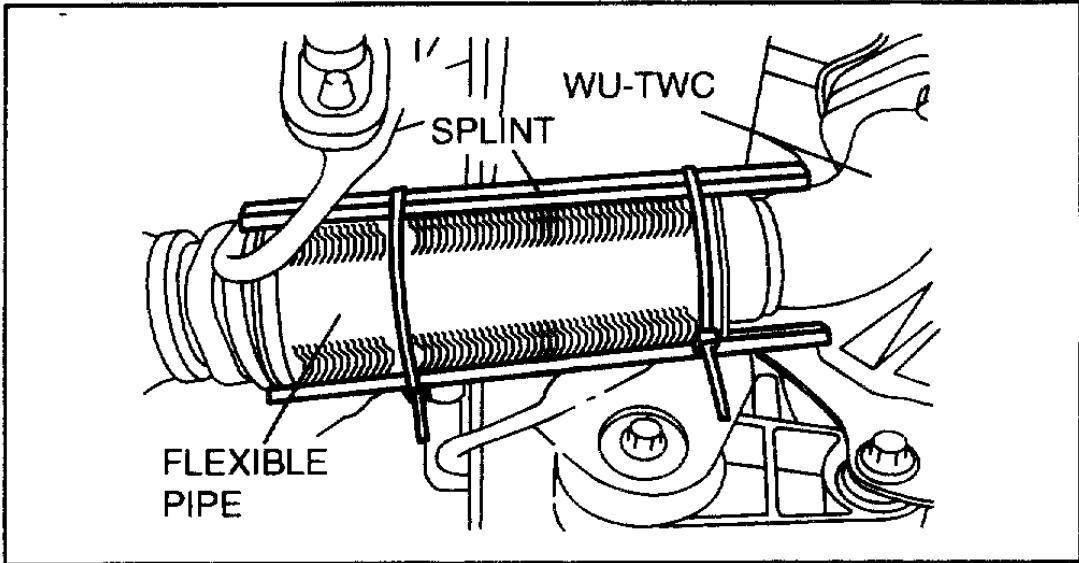
|    |                            |
|----|----------------------------|
| 7  | Exhaust manifold bracket   |
| 8  | Exhaust manifold insulator |
| 9  | Clip                       |
| 10 | Exhaust manifold           |
| 11 | Exhaust manifold gasket    |



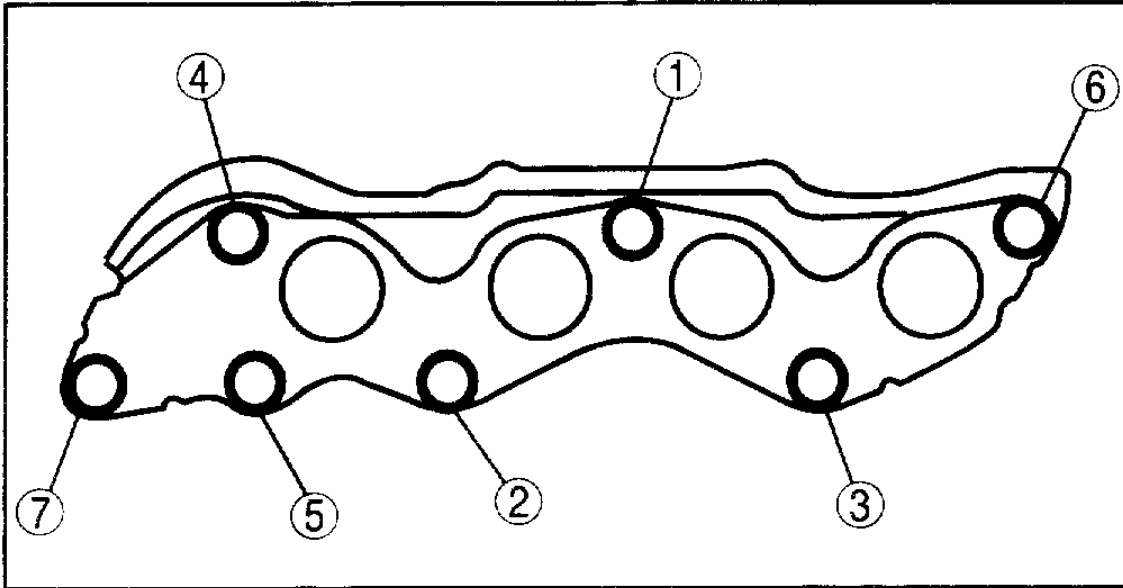
c3u0115w005



c3u0115w005



c3u0115w003



c3u0115w004

### All Technical Service Bulletins (itype\_100)

Tsbs

- SULFUR SMELL FROM EXHAUST SYSTEM (01-004/19, 2019/01/09)

### Exhaust System Inspection (Article 1443976)

EXHAUST SYSTEM  
INSPECTION [LF, L3]

1. Start the engine and inspect each exhaust system component for exhaust gas leakage.

^ If there is leakage, repair or replace the appropriate component.

### Odors (itype\_157)

Tsbs

- SULFUR SMELL FROM EXHAUST SYSTEM (01-004/19, 2019/01/09)