

# Component Procedures: Power Door Lock Switch

## Table of Contents

1. Parts and Labor (itype\_189)
2. Removal and Replacement (itype\_401)
3. Door Lock Switch (Article 1439921)
4. Door Lock-Link Switch (Article 1439917)
5. Door Latch Switch (Article 1439922)

# Component Procedures: Power Door Lock Switch

## Parts and Labor (itype\_189)

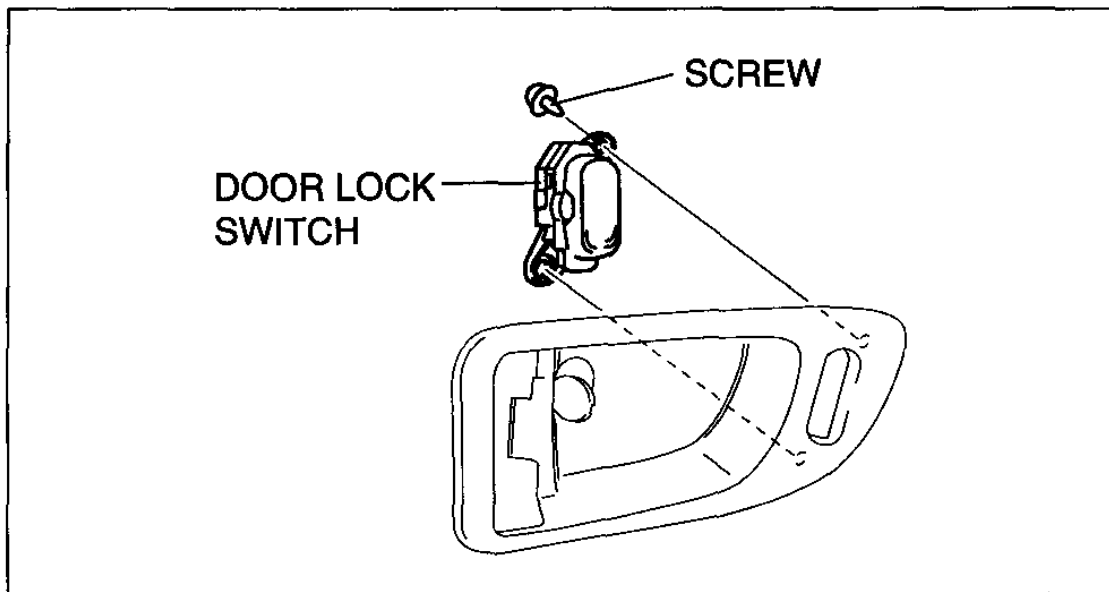
### Parts

Qualifier	Part #	Name	Price	Note
Front Door > Lock Switch > R?	BN8G66660	Lock Switch	47.08	
Front Door > Lock Switch > L?	BN8F66660	Lock Switch	47.08	

### Labor

Operation	Qualifier Path	Skill	Std Hrs	Wty Hrs
Replace	Front Door > One Side	B	0.3	0.2

## Removal and Replacement (itype\_401)



B6U0914W004

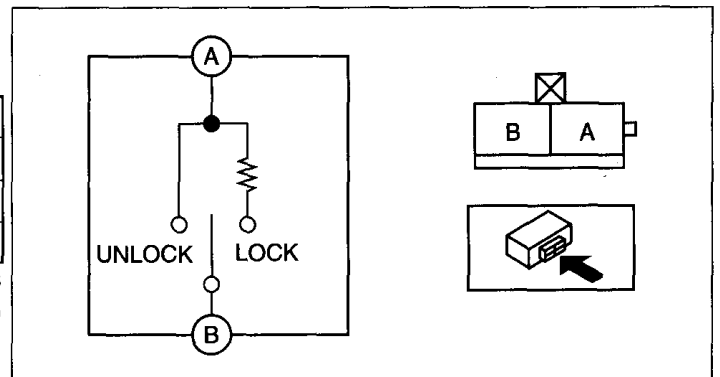
## Door Lock Switch (Article 1439921)

○—○: Continuity ○—W—○: Resistance

Position	Terminal	
	A	B
Lock	○—W—○ R	
Unlock	○—○	○—○

R: 940—1,060 ohms

C3U0914W009



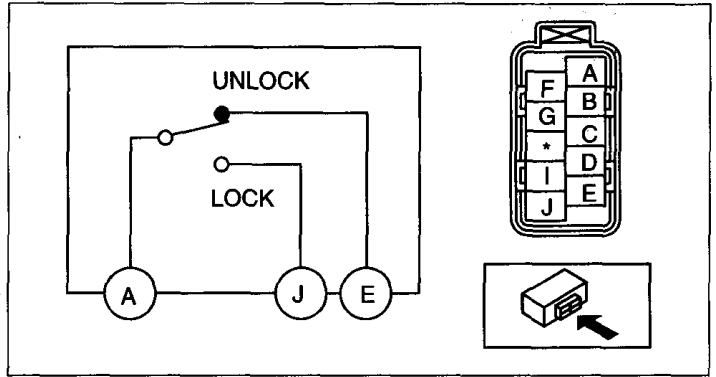
C3U0914W110

## Door Lock-Link Switch (Article 1439917)

○—○ : Continuity

Lock knob position	Terminal		
	E	LH: A RH: I	J
Lock		○—○	○
Unlock	○—○	○	

B3E0914W014



C3U0914W007

### Door Latch Switch (Article 1439922)

Non Standards

- Front Door (1439935)
- Rear Door (1439936)