

Component Procedures: Trunk / Liftgate Striker

Table of Contents

1. Parts and Labor (itype_189)
2. Liftgate Lock Striker (Article 1440511)
3. Trunk Lid Lock Striker (Article 1440512)

Component Procedures: Trunk / Liftgate Striker

Parts and Labor (itype_189)

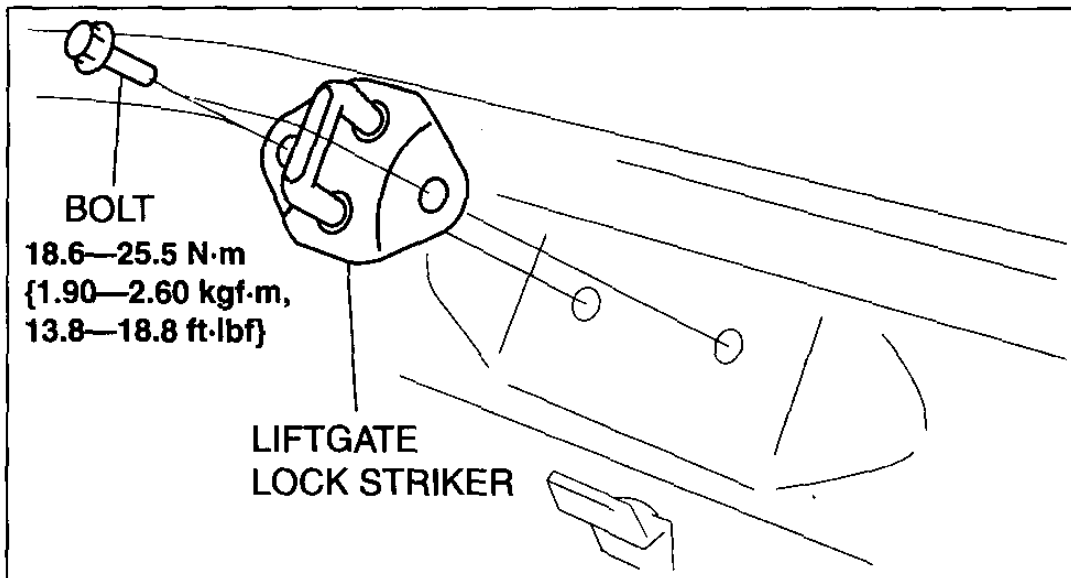
Parts

Qualifier	Part #	Name	Price	Note
Liftgate	D35062361B	Striker	12.19	
Trunk > Striker > From 8/2/06	B35N56840	Striker	27.79	

Labor

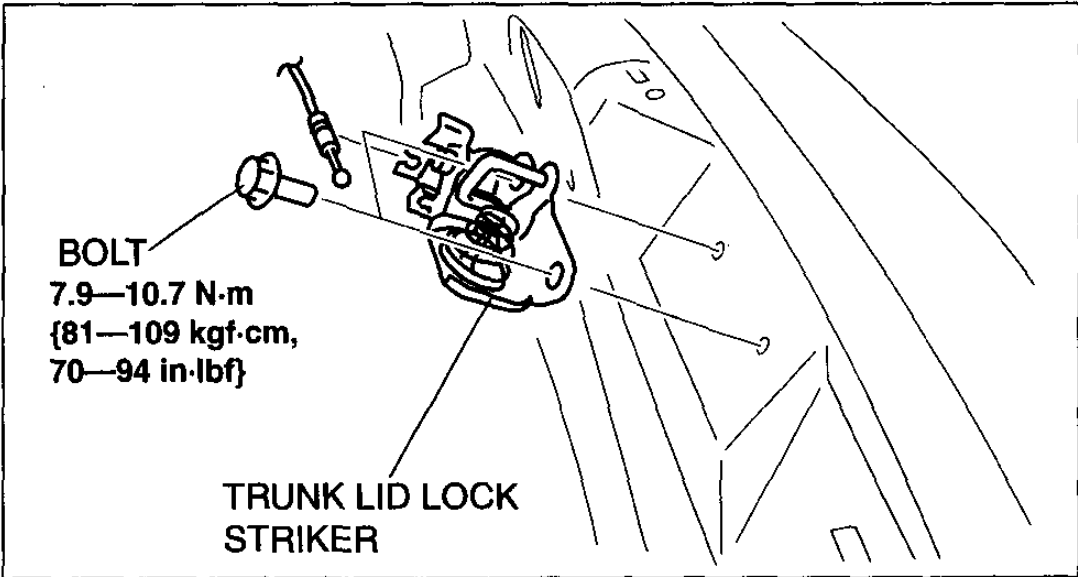
Operation	Qualifier Path	Skill	Std Hrs	Wty Hrs
Replace	Liftgate	C	0.3	0.3
Replace	Trunk	C	0.4	0.3

Liftgate Lock Striker (Article 1440511)



B3E0914W037

Trunk Lid Lock Striker (Article 1440512)



c3u0914w022